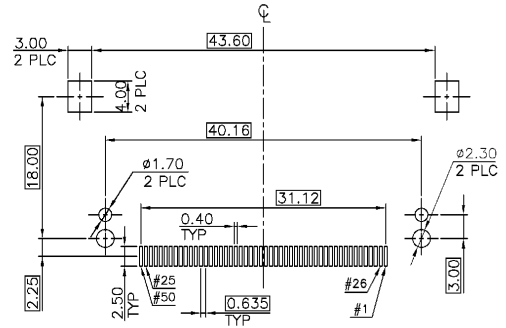
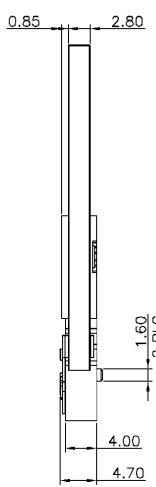
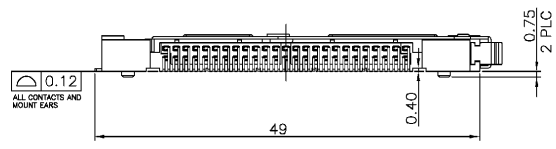
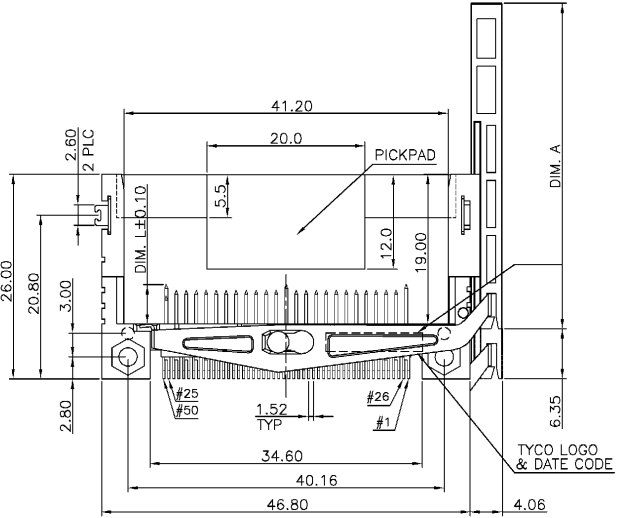
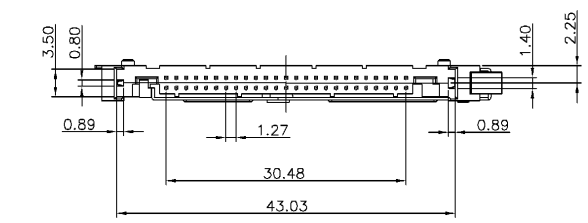


NUMBER
C-1470892

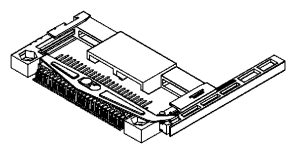
METRIC
3RD ANGLE PROJECTION

THIS INFORMATION IS CONFIDENTIAL AND IS RELEASED TO YOU IN CONVICTION THAT NO FURTHER DISCLOSURE WILL BE MADE BY YOU TO OTHER THAN AMP PERSONNEL WITHOUT DIMENSIONS IN MILLIMETERS. DO NOT SCALE PRINT.

PRINT DIST
DW



RECOMMENDED PCB LAYOUT
(TOLERANCE: ±0.05)



NOTE:

- MATERIAL:
HOUSING: HIGH TEMP. THERMOPLASTIC, UL 94V-0, COLOR: WHITE.
EJECTOR ARM: HIGH TEMP. THERMOPLASTIC, UL 94V-0, COLOR: WHITE.
CONTACT: BRASS, THICKNESS=0.25mm.
MOUNT EAR: BRASS, THICKNESS=0.25mm.
PIVOT SHELL: STEEL, THICKNESS=0.35mm.
- FINISH:
CONTACT: 15u" MIN. GOLD PLATED IN CONTACT AREA,
100u" MIN. TIN-LEAD ON SOLDER TAILS.
40u" MIN. NICKEL UNDERPLATED ALL OVER.
MOUNT EAR: 100u" MIN. TIN PLATED.

POWER	5.00mm
GENERAL	4.25mm
DETECT	3.50mm
PIN TYPE	INTERFACE DIM. L

34.70	1470892-2
41.30	1470892-1
DIM. A	PART NUMBER

B	REVISED PACKAGE QTY	FZ00-0240-04	CH	SH	22OCT 2004
A	REVISED PACKAGE	FZ00-0086-04	CH	SH	21MAY 2004
O	FIRST RELEASED	FZ00-0032-04	CH	SH	12MAR 2004
LTR	REVISION RECORD	ECN	DWN	CHK	DATE

TOLERANCES UNLESS OTHERWISE SPECIFIED:	DWN	O, HU	21-OCT-2004		TYCO HOLDINGS (BERMUDA) VII LTD, TAIWAN BRANCH
0 PLC ±	CHK	S, HOU	21-OCT-2004		
1 PLC ±0.35		NAME			
2 PLC ±0.25		APVD	W.J. KE		
3 PLC ±		PRODUCT SPEC	21-OCT-2004		
ANGLES ±3°		108-57451			PIN HEADER, 50 POS, SMT WITH EJECTOR, COMPACT FLASH CARD
	SEE NOTE	QUALIFICATION TEST REPORT	501-57523	LOC	SIZE
	SEE NOTE	WEIGHT		DW	A ₃
				SCALE	DRAWING NO
					C-1470892
					REV
					B
					SHEET
					1 OF 2

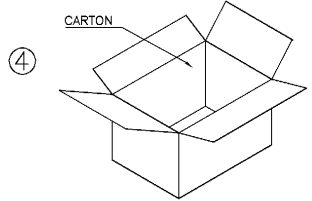
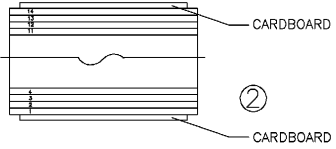
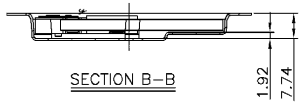
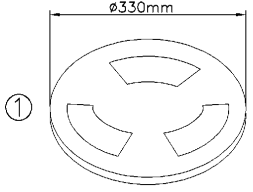
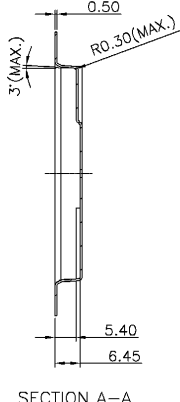
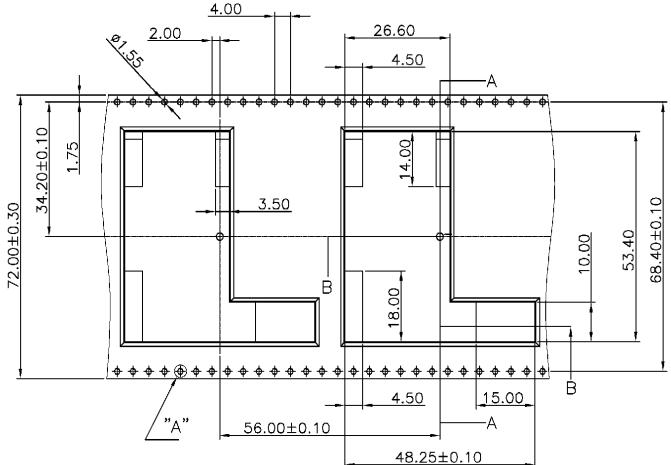
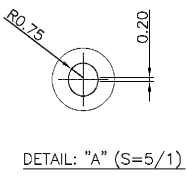
8 7 6 5 4 3 2 1 CUSTOMER DRAWING

NUMBER
C-1470892



METRIC

PRINT DIST
DW



6 Kg	5.5 Kg	350(L)X 350(W)X 360(H)	4	110	440 PCS
G.W.	N.W.	CARTON SIZE	LAYER	TAPE	QUANTITY
TOLERANCES UNLESS OTHERWISE SPECIFIED:		DWN	O. HU	tyco TYCO HOLDINGS (BERMUDA)	
0 PLC	±	21-OCT-2004	CHK	VII LTD, TAIWAN BRANCH	
1 PLC	±		S. HOU	NAME	
2 PLC	±		21-OCT-2004	APVD	
3 PLC	±		W.J. KE	21-OCT-2004	
ANGLES	±		PRODUCT SPEC	PIN HEADER, 50 POS, SMT WITH EJECTOR, COMPACT FLASH CARD	
MATERIAL	-	APVD	W.J. KE	LOC	SIZE
FINISH	-	APPLICATION SPEC	21-OCT-2004	DW	A ₃
WEIGHT	-	WEIGHT		SCALE	DRAWING NO
					C-1470892
					REV B
					SHEET
					2 OF 2

SEE SHEET 1.	ECN	DWN	CHK	DATE
LTR	REVISION RECORD			

8 1 7 1 6 1 5 1 4 1 3 1 2 1 1

CUSTOMER DRAWING