

DESCRIPTION : ABOVE PCB, DECK AND PUSH ROD LOCATION ARE AS VIEW BY USER.

PRODUCT NO.	PUSH ROD LOCATION		STAND-OFF HEIGHT	CLOSEST TO PCB		FARTHEST FROM PCB		MATING RECEPTACLE	P.C.B SIDE	RECOMMENDED P.C.B LAYOUT (SEE PAGE 6&7)	MOUNT STYLE TO PCB AND PUSH ROD SIDE
	CLOSEST TO PCB	FARTHEST TO PCB		EJ HDR ASS'Y	EJ HDR ASS'Y						
Ⓐ 61124-*****	DECK CLOSEST TO PCB	DECK FARTHEST TO PCB		Ⓑ	Ⓒ	Ⓓ					
200CA	RIGHT	RIGHT	0.0	61126-002CA	61125-005CA	RECEPTACLE PART NO. 91931-31169	ABOVE	LAYOUT 1			
220CA	RIGHT	RIGHT	2.2	61125-020CA	61125-025CA			LAYOUT 2			
240CA	RIGHT	RIGHT	4.3	61125-040CA	61125-045CA			LAYOUT 2			
250CA	RIGHT	RIGHT	5.0	61125-050CA	61125-055CA			LAYOUT 2			
220CAC	RIGHT	RIGHT	2.2	61125-020CAC	61125-025CAC			LAYOUT 2			
240CAC	RIGHT	RIGHT	4.3	61125-040CAC	61125-045CAC			LAYOUT 2			
250CAC	RIGHT	RIGHT	5.0	61125-050CAC	61125-055CAC			LAYOUT 2			
300CA	LEFT	LEFT	0.0	61126-102CA	61125-105CA			LAYOUT 1			
320CA	LEFT	LEFT	2.2	61125-120CA	61125-125CA			LAYOUT 2			
340CA	LEFT	LEFT	4.3	61125-140CA	61125-145CA			LAYOUT 2			
350CA	LEFT	LEFT	5.0	61125-150CA	61125-155CA	LAYOUT 2					
700CA	RIGHT	RIGHT	0.0	61126-502CA	61125-505CA	RECEPTACLE PART NO. 91931-31169	BELOW	LAYOUT 3			
720CA	RIGHT	RIGHT	2.2	61125-520CA	61125-525CA			LAYOUT 4			
740CA	RIGHT	RIGHT	4.3	61125-540CA	61125-545CA			LAYOUT 4			
750CA	RIGHT	RIGHT	5.0	61125-550CA	61125-555CA			LAYOUT 4			
800CA	LEFT	LEFT	0.0	61126-602CA	61125-605CA			LAYOUT 3			
820CA	LEFT	LEFT	2.2	61125-620CA	61125-625CA			LAYOUT 4			
840CA	LEFT	LEFT	4.3	61125-640CA	61125-645CA			LAYOUT 4			
850CA	LEFT	LEFT	5.0	61125-650CA	61125-655CA			LAYOUT 4			

OR

ORDERING INFORMATION			
NAME	PART NO.	Q'TY	
Ⓐ EJECT HEADER ASS'Y	61124-*****	1	
Ⓓ MATING RECEPTACLE	91931-31169	2	

ORDERING INFORMATION			
NAME	PART NO.	Q'TY	
Ⓑ DECK CLOSEST TO PCB	61125-*****	1	
Ⓒ DECK FARTHEST FROM PCB	61125-*****	1	
Ⓓ MATING RECEPTACLE	91931-31169	2	

OR

ORDERING INFORMATION			
NAME	PART NO.	Q'TY	
Ⓑ DECK CLOSEST TO PCB	61126-*****	1	
Ⓒ DECK FARTHEST FROM PCB	61125-*****	1	
Ⓓ MATING RECEPTACLE	91931-31169	1	

rev	ecn no	dr	date
C	T03-0216	V L	06/09/03
D	N05-0059	V B	03/03/05
E	N05-0140	V B	05/31/05
F	N05-0217	V B	07/25/05
G	N08-0169	MZ	08/13/07
H	N11-0015	SH	2011-02-09

www.fciconnect.com		surface 6.4	tolerance std ISO 1302	ISO 406	ISO 1101	projection	MM
		TOLERANCES UNLESS OTHERWISE SPECIFIED		0.X	±0.3	size A4	Scale 1.000
Dr	WENDY CHEN	07/06/95	ANGULAR	LINEAR	0.XXX	±0.15	ECN N11-0015
Eng	L.W. LU	07/06/95	0°	±2°	0.XXX	±0.05	Spec ref RELEASE
Chr	JOSEPH HSIA	07/06/95	Product family		61124		
Appr	JENN TSAG	07/06/95	Product family		61124		
FCJ		EJECTOR HEADER ASS'Y		61124		Rev. H	
catalog no		3.3V SMT, TYPE 1/2/3		CUSTOMER		sheet 1 of 8	

REV F - 2008-06-17

PDM: Rev:H

STATUS:Released

4 Printed: Feb 10, 2011

DESCRIPTION : ABOVE PCB, DECK AND PUSH ROD LOCATION ARE AS VIEW BY USER.

PRODUCT NO.	PUSH ROD DECK CLOSEST TO PCB	LOCATION DECK FARTHEST TO PCB	STAND-OFF HEIGHT	CLOSEST TO PCB EJ HDR ASS'Y	FARTHEST FROM PCB EJ HDR ASS'Y	MATING RECEPTACLE	P.C.B SIDE	RECOMMENDED P.C.B LAYOUT (SEE PAGE 6&7)	MOUNT STYLE TO PCB AND PUSH ROD SIDE
Ⓐ 61124-*****	RIGHT	RIGHT	0.0	Ⓑ 61126-002CALF	Ⓒ 61125-005CALF	Ⓓ		LAYOUT 1	
220CALF	RIGHT	RIGHT	2.2	61125-020CALF	61125-025CALF	RECEPTACLE PART NO. 91931-31169LF	ABOVE	LAYOUT 2	
240CALF	RIGHT	RIGHT	4.3	61125-040CALF	61125-045CALF			LAYOUT 2	
250CALF	RIGHT	RIGHT	5.0	61125-050CALF	61125-055CALF			LAYOUT 2	
220CACLF	RIGHT	RIGHT	2.2	61125-020CACLF	61125-025CACLF			LAYOUT 2	
240CACLF	RIGHT	RIGHT	4.3	61125-040CACLF	61125-045CACLF			LAYOUT 2	
250CACLF	RIGHT	RIGHT	5.0	61125-050CACLF	61125-055CACLF			LAYOUT 2	
251CACLF	LEFT	RIGHT	5.0	61125-050CACLF	61125-155CACLF		ABOVE	LAYOUT 2	
300CALF	LEFT	LEFT	0.0	61126-102CALF	61125-105CALF	RECEPTACLE PART NO. 91931-31169LF	BELOW	LAYOUT 1	
320CALF	LEFT	LEFT	2.2	61125-120CALF	61125-125CALF			LAYOUT 2	
340CALF	LEFT	LEFT	4.3	61125-140CALF	61125-145CALF			LAYOUT 2	
350CALF	LEFT	LEFT	5.0	61125-150CALF	61125-155CALF			LAYOUT 2	
350CACLF	LEFT	LEFT	5.0	61125-150CACLF	61125-155CACLF			LAYOUT 2	
700CALF	RIGHT	RIGHT	0.0	61126-502CALF	61125-505CALF			LAYOUT 3	
720CALF	RIGHT	RIGHT	2.2	61125-520CALF	61125-525CALF	LAYOUT 4			
740CALF	RIGHT	RIGHT	4.3	61125-540CALF	61125-545CALF	LAYOUT 4			
750CALF	RIGHT	RIGHT	5.0	61125-550CALF	61125-555CALF	LAYOUT 4			
800CALF	LEFT	LEFT	0.0	61126-602CALF	61125-605CALF	RECEPTACLE PART NO. 91931-31169LF	BELOW	LAYOUT 3	
820CALF	LEFT	LEFT	2.2	61125-620CALF	61125-625CALF			LAYOUT 4	
840CALF	LEFT	LEFT	4.3	61125-640CALF	61125-645CALF			LAYOUT 4	
850CALF	LEFT	LEFT	5.0	61125-650CALF	61125-655CALF			LAYOUT 4	
								LAYOUT 4	

OR

ORDERING INFORMATION

ORDERING INFORMATION		
NAME	PART NO.	Q'TY
Ⓐ EJECT HEADER ASS'Y	61124-*****LF	1
Ⓓ MATING RECEPTACLE	91931-31169LF	2

ORDERING INFORMATION		
NAME	PART NO.	Q'TY
Ⓑ DECK CLOSEST TO PCB	61125-*****LF	1
Ⓒ DECK FARTHEST FROM PCB	61125-*****LF	1
Ⓓ MATING RECEPTACLE	91931-31169LF	2

OR

ORDERING INFORMATION

ORDERING INFORMATION		
NAME	PART NO.	Q'TY
Ⓑ DECK CLOSEST TO PCB	61126-*****LF	1
Ⓒ DECK FARTHEST FROM PCB	61125-*****LF	1
Ⓓ MATING RECEPTACLE	91931-31169LF	1

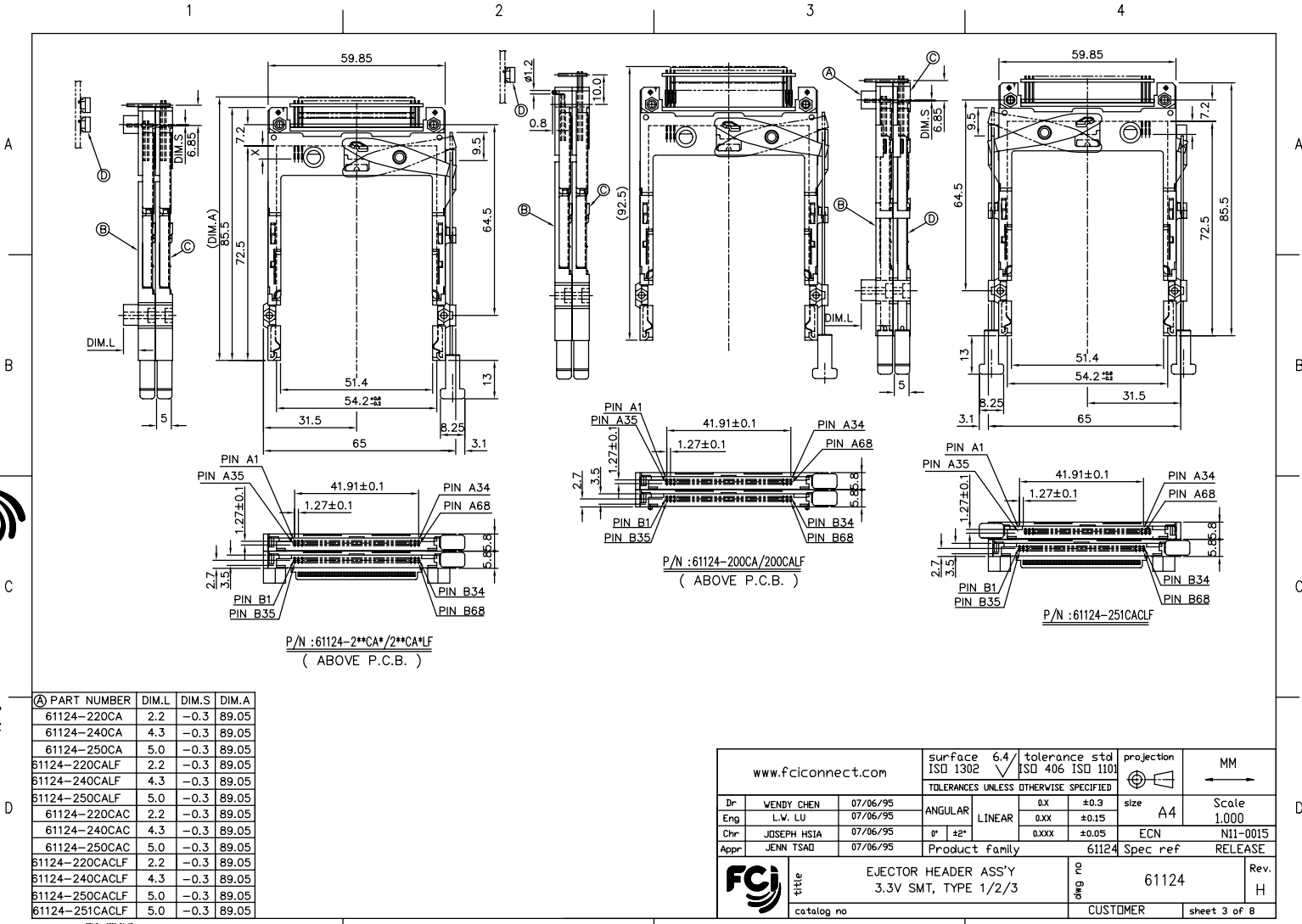
NOTE:

- THE HOUSING WILL WITHSTAND EXPOSURE TO 260°C PEAK TEMPERATURE FOR 10 SECONDS IN A WAVE SOLDER APPLICATION WITH A 1.00MM MINIMUM THICK CIRCUIT BOARD.
- THE PRODUCTS FOR SUFFIX " LF " MEET EUROPEAN UNION DIRECTIVES AND OTHER COUNTRY REGULATIONS AS DESCRIBED IN GS-22-008 OTHER PRODUCTS ARE COMPLIANT EXCEPT FOR Pb.
- LEAD FREE P/N PACKAGING MEETS GS-14-920 SPECIFICATION
- FINISH (PIN)  
CONTACT AREA : 0.1 µm MIN. GOLD OVER  
0.5 µm MIN. Pd-Ni ( FOR-\*\*\*CA,\*\*\*CALF)  
0.8 µm MIN. Pd-Ni ( FOR-\*\*\*CAC,\*\*\*CACLF)  
SOLDER TAIL( FOR -\*\*\*\*\* ) : 2.5 µm MIN. Sn-Pb  
SOLDER TAIL( FOR -\*\*\*\*\*LF ) : 2.5 µm MIN. PURE Sn

www.fciconnect.com		surface 6.4	tolerance std ISO 1302	projection	MM
		ANGULAR	LINEAR	size A4	Scale 1.000
Dr	WENDY CHEN	07/06/95	0.X	±0.3	
Eng	L.V. LU	07/06/95	0.XX	±0.15	
Chr	JOSEPH HSIA	07/06/95	0.XXX	±0.05	ECN N11-0015
Appr	JENN TSAO	07/06/95	Product family 61124		Spec ref RELEASE
	title EJECTOR HEADER ASS'Y 3.3V SMT, TYPE 1/2/3		2	61124	Rev. H
catalog no		CUSTOMER		sheet 2 of 8	



Copyright FCJ



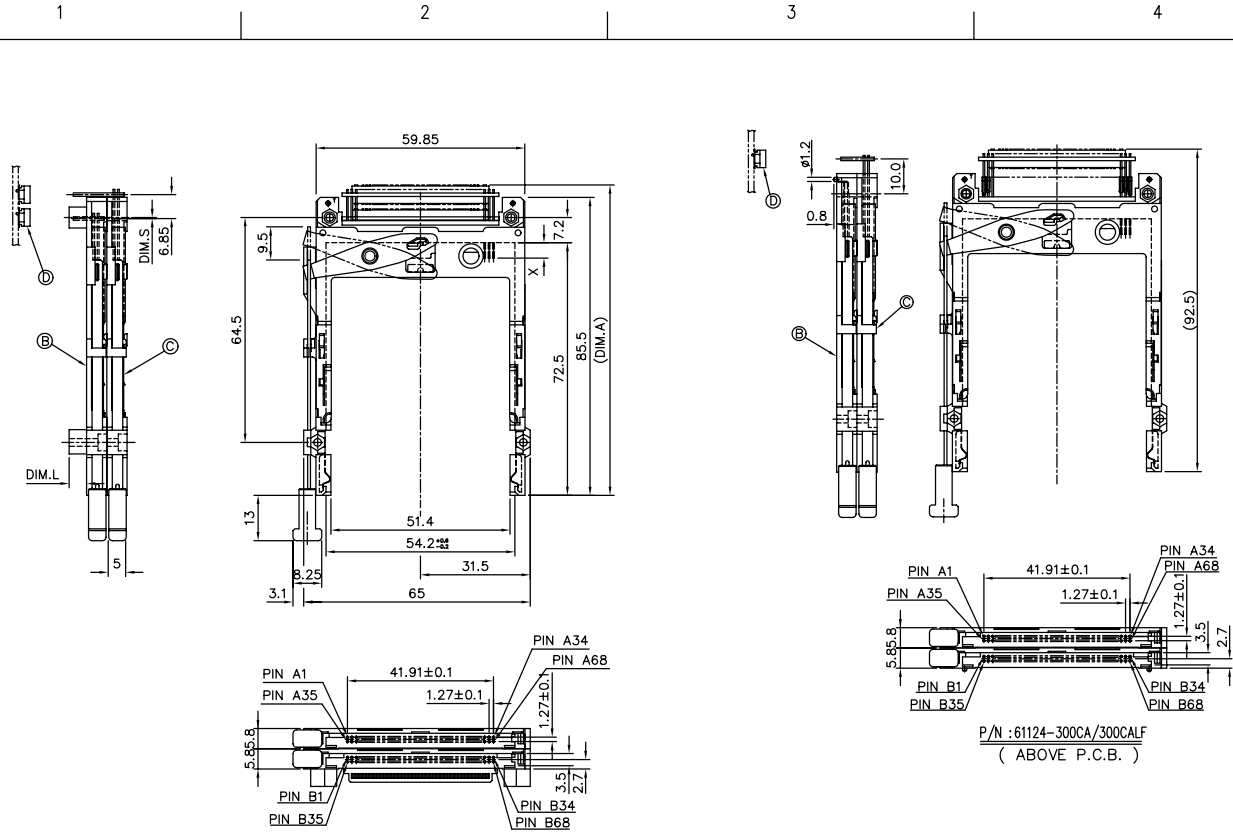
(A) PART NUMBER	DIM.L	DIM.S	DIM.A
61124-220CA	2.2	-0.3	89.05
61124-240CA	4.3	-0.3	89.05
61124-250CA	5.0	-0.3	89.05
61124-220CALF	2.2	-0.3	89.05
61124-240CALF	4.3	-0.3	89.05
61124-250CALF	5.0	-0.3	89.05
61124-220CAC	2.2	-0.3	89.05
61124-240CAC	4.3	-0.3	89.05
61124-250CAC	5.0	-0.3	89.05
61124-220CACLF	2.2	-0.3	89.05
61124-240CACLF	4.3	-0.3	89.05
61124-250CACLF	5.0	-0.3	89.05
61124-251CACLF	5.0	-0.3	89.05

www.fcjconnect.com		surface 6.4	tolerance std ISO 1302	projection	MM
		ISO 1302	ISO 406 ISO 1101		Scale 1.000
		TOLERANCES UNLESS OTHERWISE SPECIFIED		size A4	ECN N11-0015
Dr	WENDY CHEN	07/06/95	ANGULAR	0.X	±0.3
Eng	L.V. LU	07/06/95	LINEAR	0.XX	±0.15
Chr	JOSEPH HSIA	07/06/95	0° ±2°	0.XXX	±0.05
Appr	JENN TSAD	07/06/95	Product family	61124	Spec ref RELEASE
	title	EJECTOR HEADER ASS'Y 3.3V SMT, TYPE 1/2/3		part no	61124
	catalog no			CUSTOMER	sheet 3 of 8

PDM: Rev:H STATUS:Released 4 Printed: Feb 10, 2011



Copyright FCJ



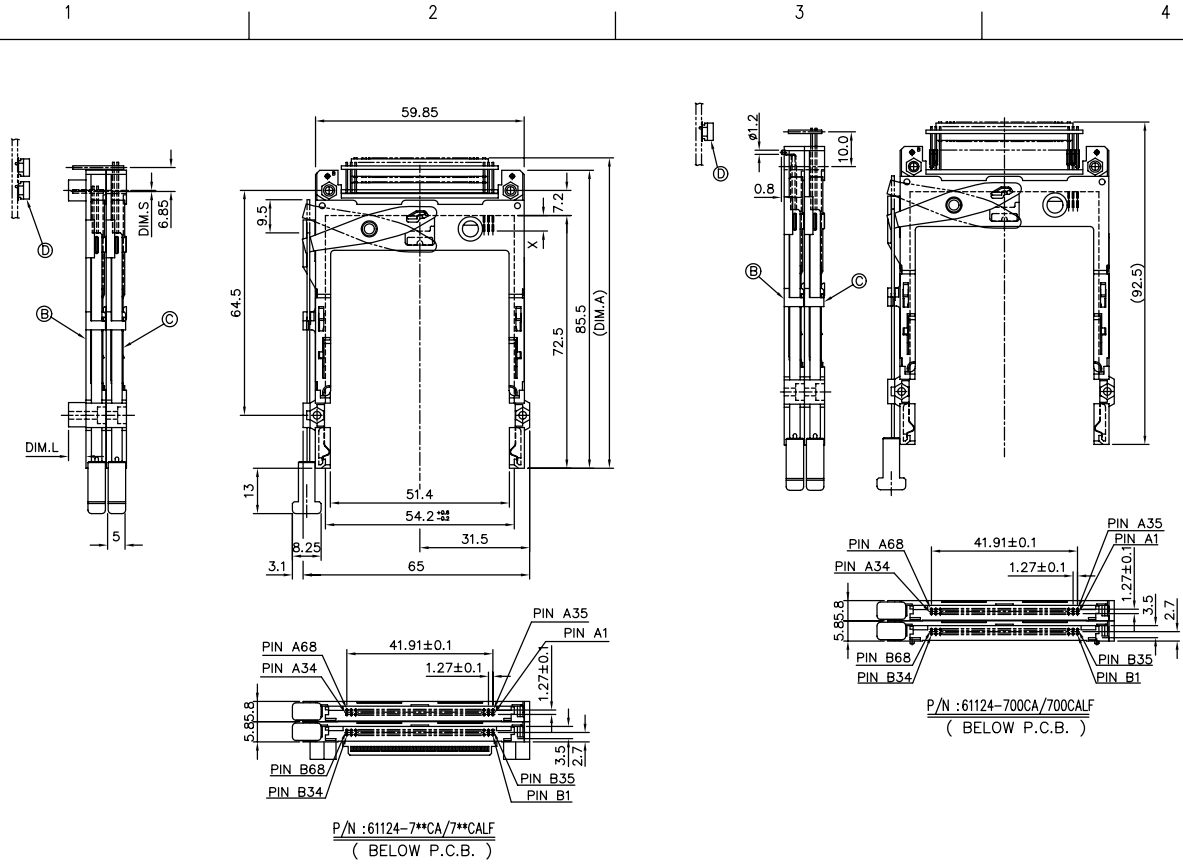
④ PART NUMBER	DIM.L	DIM.S	DIM.A
61124-320CA	2.2	-0.3	89.05
61124-340CA	4.3	-0.3	89.05
61124-350CA	5.0	-0.3	89.05
61124-320CALF	2.2	-0.3	89.05
61124-340CALF	4.3	-0.3	89.05
61124-350CALF	5.0	-0.3	89.05
61124-350CACLF	5.0	-0.3	89.05

www.fcconnect.com		surface 6.4	tolerance std	projection	MM
		ISO 1302	ISO 406 ISO 1101		
TOLERANCES UNLESS OTHERWISE SPECIFIED					
Dr	WENDY CHEN	07/06/95	ANGULAR	0.X	±0.3
Eng	L.V. LU	07/06/95	LINEAR	0.XX	±0.15
Chr	JOSEPH HSIA	07/06/95	0° ±2°	0.XXX	±0.05
Appr	JENN TSAD	07/06/95	Product family	61124	Spec ref
		title EJECTOR HEADER ASS'Y 3.3V SMT, TYPE 1/2/3		size A4	scale 1:000
catalog no		CUSTOMER		sheet 4 of 8	Rev. H

PDM: Rev:H STATUS:Released 4 Printed: Feb 10, 2011



Copyright FCI.



Ⓐ PART NUMBER	DIM.L	DIM.S	DIM.A
61124-720CA	2.2	-0.3	89.05
61124-740CA	4.3	-0.3	89.05
61124-750CA	5.0	-0.3	89.05
61124-720CALF	2.2	-0.3	89.05
61124-740CALF	4.3	-0.3	89.05
61124-750CALF	5.0	-0.3	89.05

www.fciconnect.com		surface 6.4 ISO 1302	tolerance std ISO 406 ISO 1101	projection ISO 1101	MM
TOLERANCES UNLESS OTHERWISE SPECIFIED		0.X	±0.3	size A4	Scale 1.000
Dr WENDY CHEN 07/06/95	07/06/95	ANGULAR	LINEAR	0.XX	±0.15
Eng L.V. LU 07/06/95	07/06/95	0° ±2°	0.XXX	±0.05	ECN N11-0015
Chr JOSEPH HSIA 07/06/95	07/06/95	Product family		61124	Spec ref RELEASE
Appr JENN TSAD 07/06/95	07/06/95	Product family		61124	Spec ref RELEASE
<b>FCI</b>	title	EJECTOR HEADER ASS'Y 3.3V SMT, TYPE 1/2/3		61124	Rev. H
catalog no	CUSTOMER		sheet 5 of 8		

**PDM: Rev:H** STATUS:Released<sup>4</sup> Printed: Feb 10, 2011



Copyright FCI.

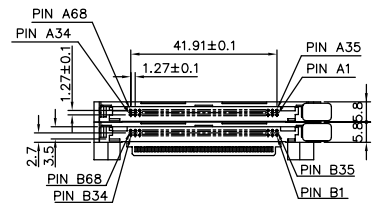
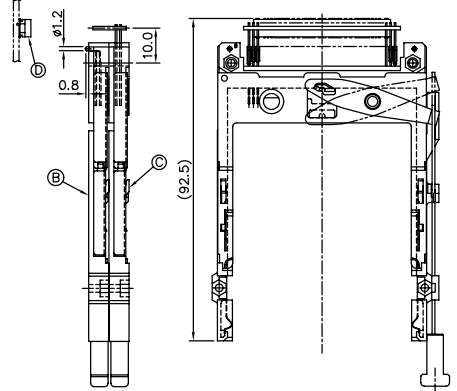
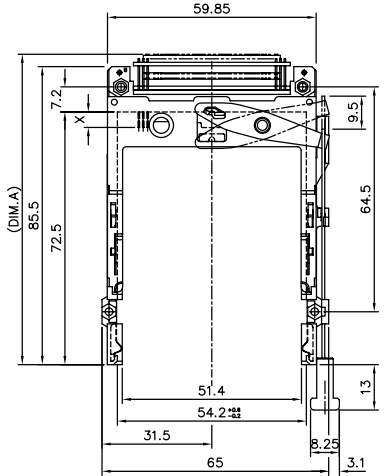
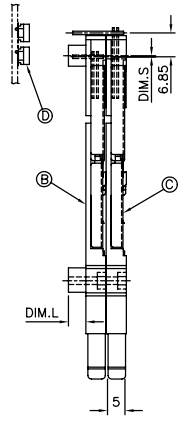
1 2 3 4

A

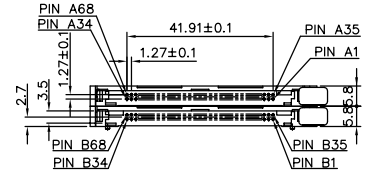
B

C

D



P/N : 61124-8\*\*CA/8\*\*CALF  
( BELOW P.C.B. )



P/N : 61124-800CA/800CALF  
( BELOW P.C.B. )

④ PART NUMBER	DIM.L	DIM.S	DIM.A
61124-820CA	2.2	-0.3	89.05
61124-840CA	4.3	-0.3	89.05
61124-850CA	5.0	-0.3	89.05
61124-820CALF	2.2	-0.3	89.05
61124-840CALF	4.3	-0.3	89.05
61124-850CALF	5.0	-0.3	89.05

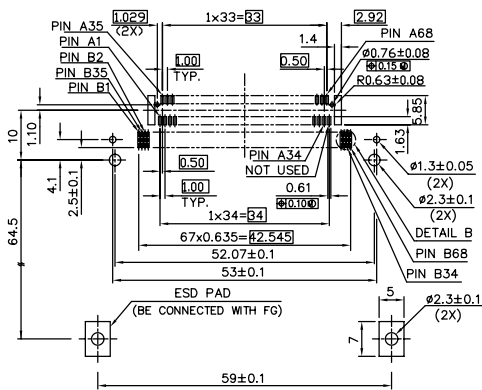
REV F - 2008-06-17

1 2

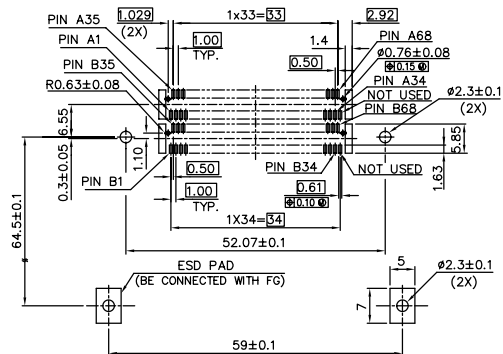
www.fciconnect.com		surface 6.4 ISO 1302	tolerance std ISO 406 ISO 1101	projection A	MM
TOLERANCES UNLESS OTHERWISE SPECIFIED		ANGULAR	LINEAR	size A4	Scale 1.000
Dr WENDY CHEN	07/06/95	0° ±2°	0.XX ±0.15	ECN	NII-0015
Eng L.V. LU	07/06/95		0.XXX ±0.05	Spec ref	RELEASE
Chr JOSEPH HSIA	07/06/95			Product family	61124
Appr JENN TSAD	07/06/95			Spec ref	61124
FCI	title		61124		Rev. H
	EJECTOR HEADER ASS'Y 3.3V SMT, TYPE 1/2/3		CUSTOMER		
catalog no		CUSTOMER		sheet 6 of 8	

PDM: Rev:H STATUS:Released 4 Printed: Feb 10, 2011

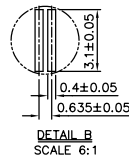
PRODUCT NO.  
61124-\*\*\*\*\*/\*\*\*\*\*LF



4 CARD INSERTION DIRECTION  
RECOMMENDED P.C.B. LAYOUT 1 (MOUNTED SIDE)



4 CARD INSERTION DIRECTION  
RECOMMENDED P.C.B. LAYOUT 2 (MOUNTED SIDE)



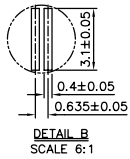
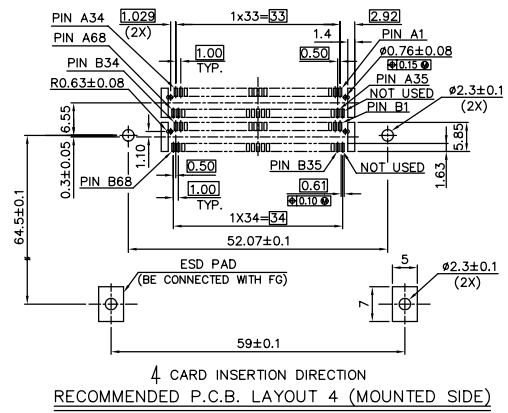
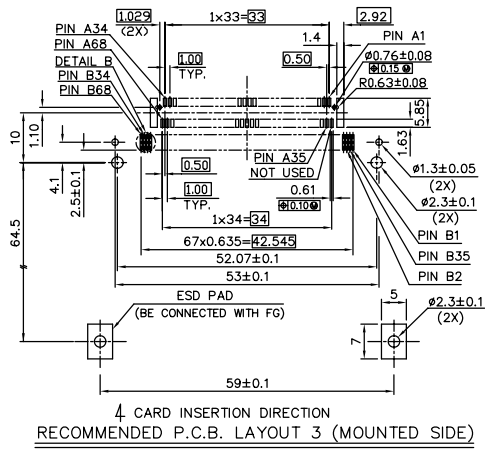
www.fcconnect.com			surface 6.4	tolerance std	projection	MM
			ISO 1302	ISO 406 ISO 1101		
			TOLERANCES UNLESS OTHERWISE SPECIFIED			
Dr	WENDY CHEN	07/06/95	ANGULAR	LINEAR	0.X	±0.3
Eng	L.V. LU	07/06/95	0°	±2°	0.XX	±0.15
Chr	JOSEPH HSIA	07/06/95			0.XXX	±0.05
Appr	JENN TSAO	07/06/95	Product family		61124	Spec ref
title			EJECTOR HEADER ASS'Y		2	61124
catalog no			3.3V SMT, TYPE 1/2/3		8	CUSTOMER
					6	sheet 7 of 8
					Rev.	H

3 PDM: Rev:H

STATUS:Released

4 Printed: Feb 10, 2011

PRODUCT  
61124-\*\*\*\*\*/\*\*\*\*LF



www.fcconnect.com		surface 6.4	tolerance std ISO 1302	projection	MM
		tolerance std ISO 406 ISO 1101			
TOLERANCES UNLESS OTHERWISE SPECIFIED					
Dr	WENDY CHEN	07/06/95	ANGULAR	0.X	±0.3
Eng	L.V. LU	07/06/95	LINEAR	0.XX	±0.15
Chr	JOSEPH HSIA	07/06/95	0° ±2°	0.XXX	±0.05
Appr	JENN TSAD	07/06/95	Product family	61124	Spec ref
title				61124	Rev. H
EJECTOR HEADER ASS'Y 3.3V SMT, TYPE 1/2/3				CUSTOMER	sheet 8 of 8
catalog no					

3 PDM: Rev:H STATUS:Released 4 Printed: Feb 10, 2011