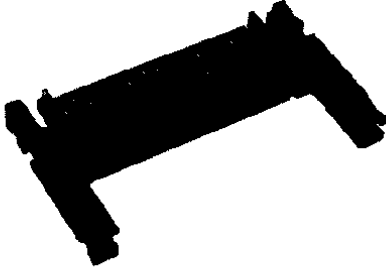


Pin Header, Single Slot, Standard Height, Top Board Thru-Hole Mount

68 Positions

Part Number 535653-1



Pin Length (L)	Pin Locations
5.00 .197	1, 17, 34, 35, 51, 68
4.25 .167	All Others Not Listed
3.50 .138	36, 67

Material and Finish:

Housing and Organizer — Liquid crystal polymer, black

Contacts — Brass; duplex plated 0.00075 (.000030) minimum gold on mating area; 0.00381 (.000150) minimum tin-lead on solder tail, with entire contact uncerplated 0.00127 (.000050) minimum nickel

Related Product Data:

Mating Receptacle Assemblies — Any 68-position receptacle assembly when mounted in a PCMCIA card frame

Guide Rails — page 20

ESD/EMI Card Guide Assembly — page 21

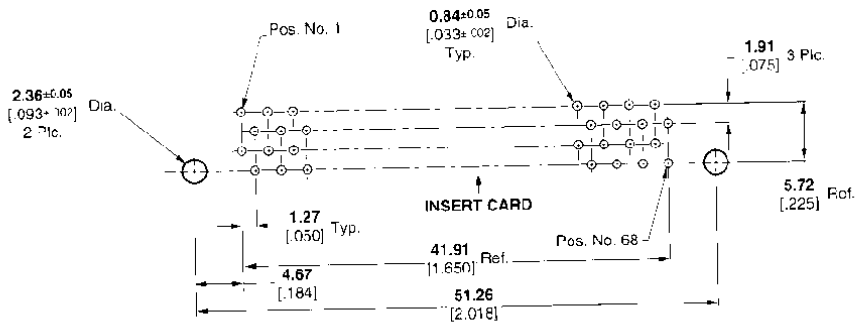
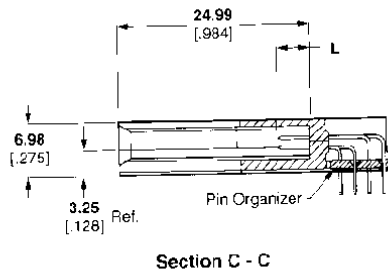
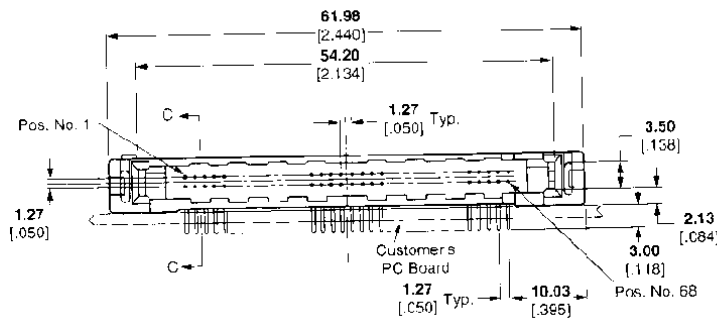
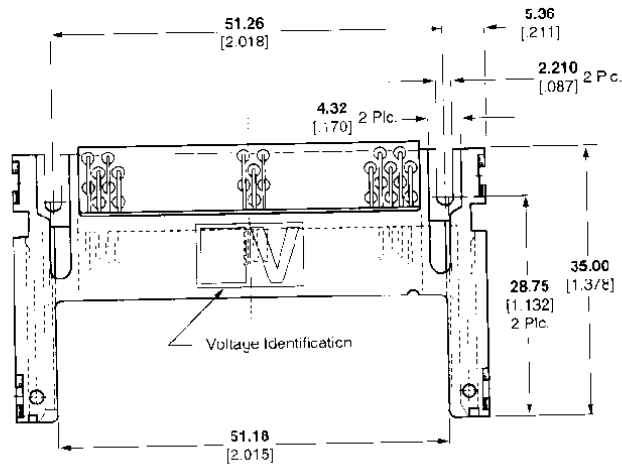
Ejectors — pages 22 & 23

Performance Data — page 80

Technical Documents

(Page 80):

AMP Product Specification
108-1469



Recommended PC Board Layout

Note: Two size M2 [2-56 UNC] screws (Customer supplied) are required for fastening the connector to the PC board.

Single Slot, Standard Height
Pin Headers