

## INFOPORT Series III Dual Port Headers, Shielded, 0 offset

### 15 Positions



Keying Option	Part Numbers <sup>1</sup> Tape and Reel Packaged
1	5-569331-1
2	5-569331-2
3	5-569331-3
4	5-569331-4
5	5-569331-5

<sup>1</sup>Distance from connector centerline to bottom surface of solder tails is 0.

### Material and Finish:

**Housing** — Glass-filled nylon molding compound, black, 94V-C rated

**Contacts** — Phosphor bronze, duplex plated 0.00025 [0.00010] minimum gold over 0.00102 [0.00040] minimum palladium/nickel over 0.00005 [0.00002] minimum gold in contact area, 0.00381 [0.00150] minimum tin-lead or solder times, with entire contact underplated 0.00127 [0.00050] minimum nickel

**Shield** — Stainless steel, tin-lead plated

**Striker Plate** — Stainless steel

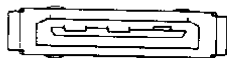
### Related Product Data:

**Frame Kits** — pages 60 & 62

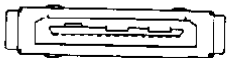
**Mating Cable Connectors** — page 67

### Technical Documents (Page 80):

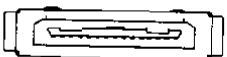
**AMP Application Specification**  
114-6058



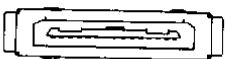
Keying Option 1



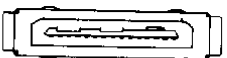
Keying Option 2



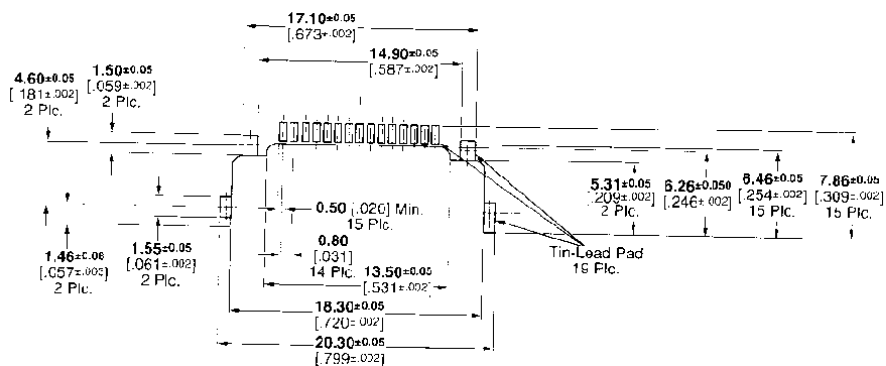
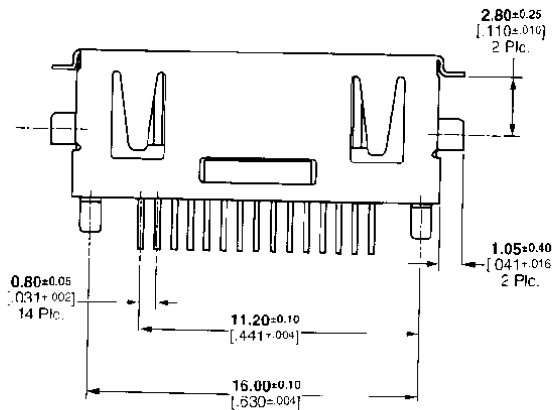
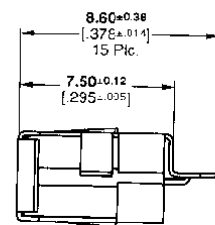
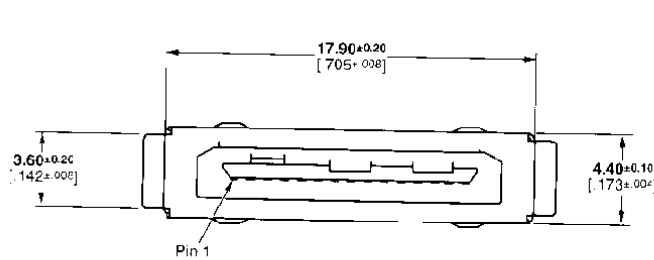
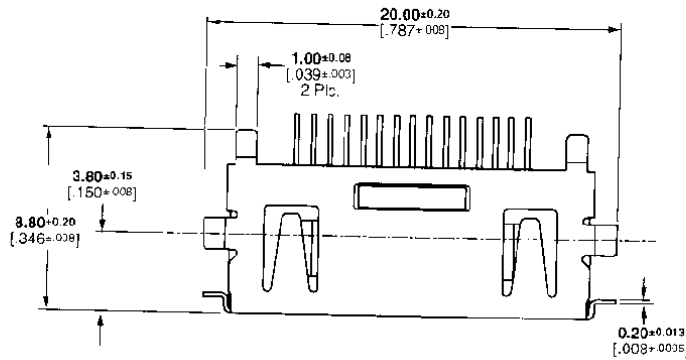
Keying Option 3



Keying Option 4



Keying Option 5



Recommended PC Board Layout