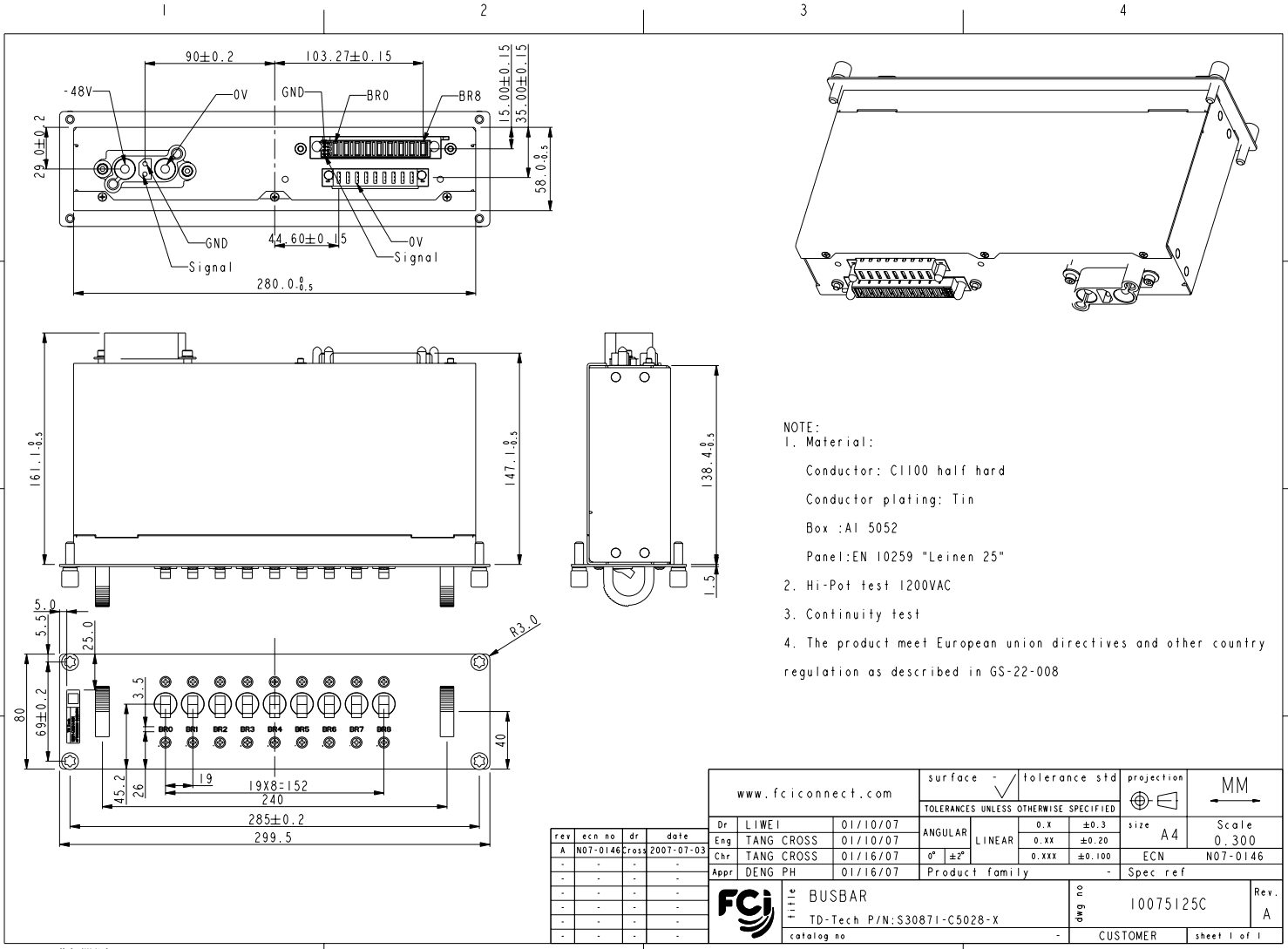




Copyright FCI.



NOTE:
 1. Material:
 Conductor: C1100 half hard
 Conductor plating: Tin
 Box :Al 5052
 Panel:EN 10259 "Leinen 25"
 2. Hi-Pot test 1200VAC
 3. Continuity test
 4. The product meet European union directives and other country regulation as described in GS-22-008

www.fciconnect.com		surface	tolerance std	projection	MM	
TOLERANCES UNLESS OTHERWISE SPECIFIED						
Dr	LIWEI	01/10/07	ANGULAR	0.x	±0.3	size A4
Eng	TANG CROSS	01/10/07	LINEAR	0.xx	±0.20	Scale 0.300
Chr	TANG CROSS	01/16/07	0° ±2°	0.xxx	±0.100	ECN N07-0146
Appr	DENG PH	01/16/07	Product family	Spec ref		
FCI		BUSBAR		eng no		10075125C
TD-Tech P/N:S30871-C5028-X		Rev.		A		
catalog no		CUSTOMER		sheet 1 of 1		