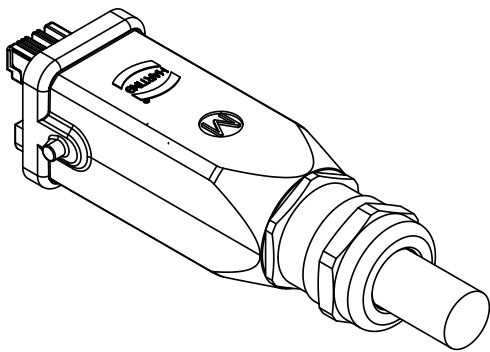
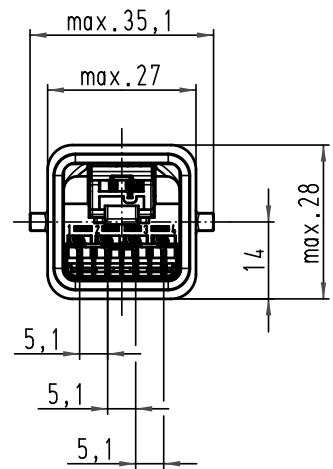
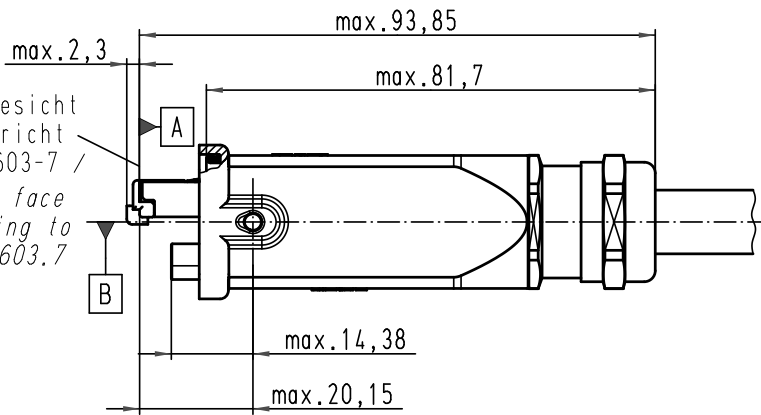




Alle Rechte vorbehalten/ All rights reserved

Steckgesicht
entspricht
IEC 60603-7 /
Mating face
according to
IEC 60603.7



|  All Dimensions in mm Original Size DIN A 4 | | | Techn. Character. | | | Nicht tolerierte Masse/ Free size tolerances | |
|---|----------|------|--------------------------------|----------|---------------|---|---|
| Mod. | Dat. | Name | Dat. | Name | Masstab/Scale | | |
| | | | Detail. | 08.06.06 | Bor | 1:1 | HARTING RJ Industrial® Hybrid Tüllengehäuse-Set/Connector set |
| | | | Insp. | | SP | | |
| | | | Stand. | | | | |
| 412621 | 05.02.07 | DY | HARTING Electric GmbH & Co. KG | | |  | TB 10 12 005 2001 |
| 412202 | | | D-32339 Espelkamp | | | | |
| | | | | | | | |