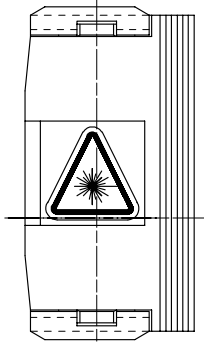
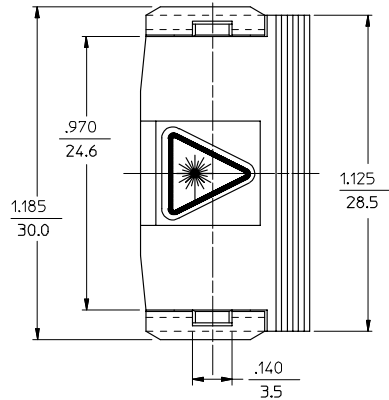


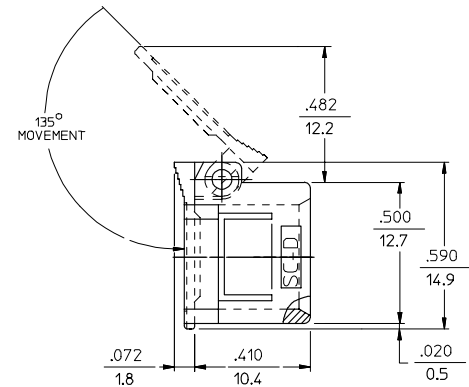
SHIELD ASSEMBLY P/N	COLOR
106166-0200	BLUE
106166-0210	BEIGE
106166-0230	BLACK
106166-0240	RED
106166-0250	GREEN
106166-0220	AQUA



VIEW A
VARIATION 1
FOR LABEL INSTALLATION
(SEE NOTE 1)



VIEW A
VARIATION 2
FOR LABEL INSTALLATION
(SEE NOTE 1)



NOTES:

1. LABEL MUST BE INSTALLED AND ORIENTED BY CUSTOMER. (SEE VIEW A)

ENTER DESCRIPTION EC NO: MF2006-0237 DRAWN: PGI/BLN 2005/11/29 CHKD: 2005/11/29 APPR: GDMIN 2005/11/29	QUALITY SYMBOLS ▽=0 ▽=0	GENERAL TOLERANCES (UNLESS SPECIFIED)		DIMENSION STYLE IN/MM		SCALE 4:1	DESIGN UNITS INCH	THIRD ANGLE PROJECTION
		mm	INCH	DRAWN BY RPACIFIC1	DATE 2005/10/11	TITLE SHIELD ASSEMBLY (SC-D)		
REV A	4 PLACES	± .---	± .---	CHECKED BY	DATE	MOLEX INCORPORATED		
	3 PLACES	± .---	± .---	APPROVED BY	DATE			
	2 PLACES	± .---	± .---	MATERIAL NO.	DOCUMENT NO.	SD-106166-02X0	STREET NO.	
	1 PLACE	± .---	± .---	SIZE B	THIS DRAWING CONTAINS INFORMATION THAT IS PROPRIETARY TO MOLEX INCORPORATED AND SHOULD NOT BE USED WITHOUT WRITTEN PERMISSION			
DRAFT WHERE APPLICABLE MUST REMAIN WITHIN DIMENSIONS								