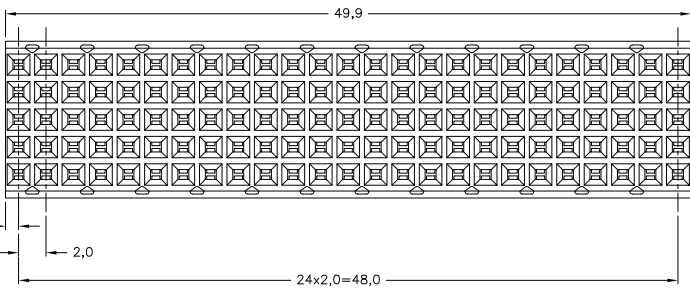
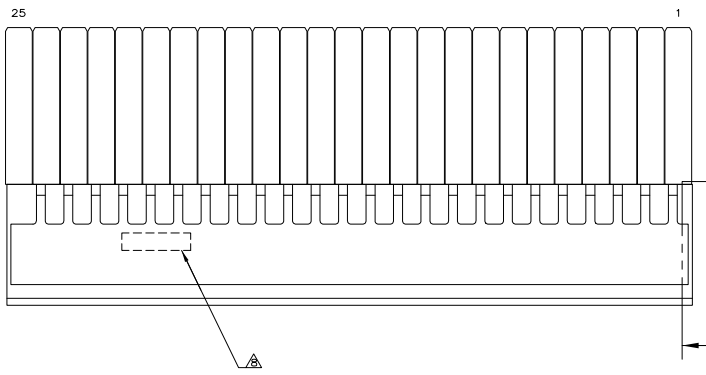
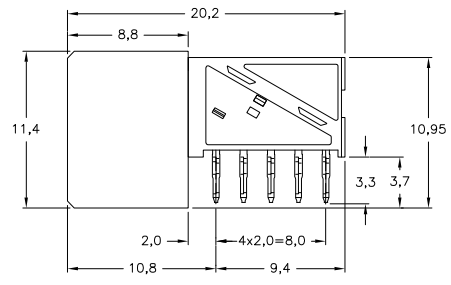
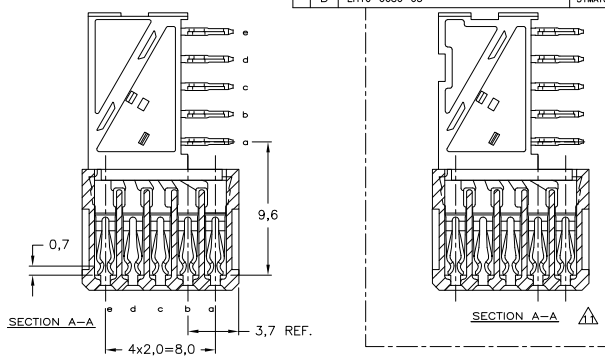


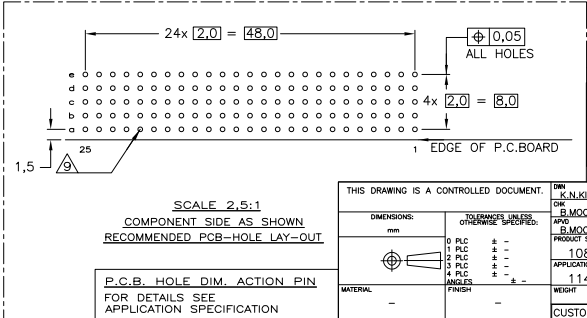
THIS DRAWING IS UNPUBLISHED. RELEASED FOR PUBLICATION
 BY TYCO ELECTRONICS CORPORATION. ALL RIGHTS RESERVED.



LOC	DIST	REVISIONS		DATE	BY	APP'D
F	L/R	DESCRIPTION				
B		EH10-0680-05		31MAY05	BSV	BM



- NOTES:**
- ⚠ MATERIAL CONTACT: PHOSPHORBRONZE
MATERIAL HOUSING: GLASSFILLED POLYESTER (GRAY)
UL-RATING: 94V0.
 - ⚠ GENERAL PLATING SPECIFICATION: UNDERPLATING (ENTIRE CONTACT): 1,27µm NICKEL MIN. AND ACTION PIN: 0,5µm TIN MIN. FOR PLATING OF MATING SURFACES SEE APPLICABLE SPECIFICATION REFERENCE FOR EACH DASH NUMBER.
 - ⚠ CONFORMS TO ALL TESTING ACCORDING IEC 61076-4-101 PERFORMANCE LEVEL 2.
 - ⚠ CONFORMS TO ALL TESTING ACCORDING IEC 61076-4-101 PERFORMANCE LEVEL 1.
 - ⚠ CONNECTOR TESTED AND QUALIFIED AGAINST TELCORDIA GR-1217-CORE QUALITY LEVEL III, CENTRAL OFFICE APPLICATIONS.
 - ⚠ CONNECTOR TESTED AND QUALIFIED AGAINST TELCORDIA GR-1217-CORE QUALITY LEVEL III, UNCONTROLLED ENVIRONMENT APPLICATIONS.
 - ⚠ CONNECTOR LUBRICATED WITH TELCORDIA GR-1217-CORE APPROVED LUBRICANT.
 - ⚠ CONNECTOR PRINTED WITH PARTNUMBER AND DATECODE
THE MARKING CAN APPEAR ON THE FRONT SIDE OR ON THE BACK SIDE.
 - ⚠ PLATED-THROUGH HOLES AT 2x2mm SQUARE GRID. 125 HOLES
 - 10 FITS WITH INTEGRATED GROUND RETURN UPPERSHIELD, BASIC P.N. 533B109 AND INTEGRATED GROUND RETURN LOWERSHIELD, BASIC P.N. 533B110
 - ⚠ CONNECTOR ASSEMBLED WITH REDESIGNED CONTACTS.



FINISH	MATERIAL	PARTNUMBER
⚠	⚠	1-5100145-9
⚠	⚠	5100145-9
⚠	⚠	5100145-4
⚠	⚠	5100145-1

THIS DRAWING IS A CONTROLLED DOCUMENT. DIM: 05AUG2004

DIMENSIONS: mm	DESIGNER: K.N. KIRAN	DATE: 05AUG2004	BY: S. MOOLU	NAME: S. MOOLU
0 PLG: -	CHK: 225P2004	DATE: 225P2004	APP: B. MOOLU	NAME: B. MOOLU
1 PLG: -			PRODUCT SPEC: 108-19082	
2 PLG: -			APPLICATION SPEC: 114-19029	
3 PLG: -			WEIGHT: -	
4 PLG: -				
5 PLG: -				
ANGLES: -				
FINISH: -				

TYCO Electronics Corporation
 Tyco Electronics Corporation
 's-Hertogenbosch, 5222AR-32

Z-PACK 2mm HM TYPE B
 125 POS. FEMALE CONNECTOR

SIZE: A2 CASE CODE: 00779 DRAWING NO: 5100145
 RESTRICTED TO: -

CUSTOMER DRAWING SCALE: 4:1 SHEET: 1 OF 1 REV: B

AMP 1471-9 REV 31MM2000