

# C1905

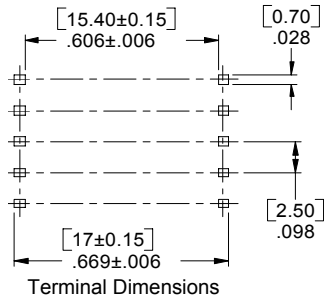
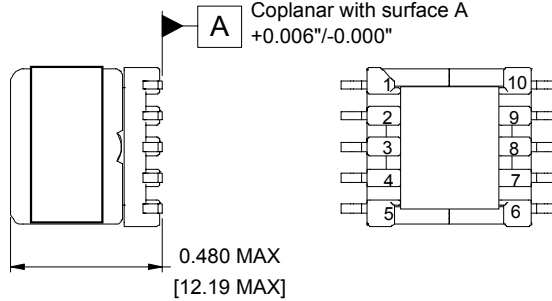
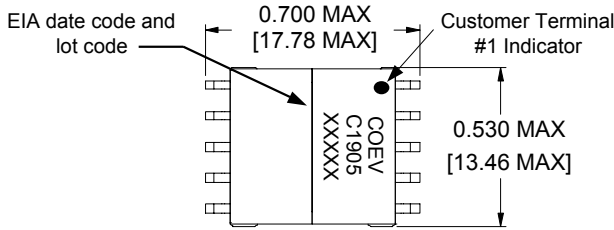
REV  
J



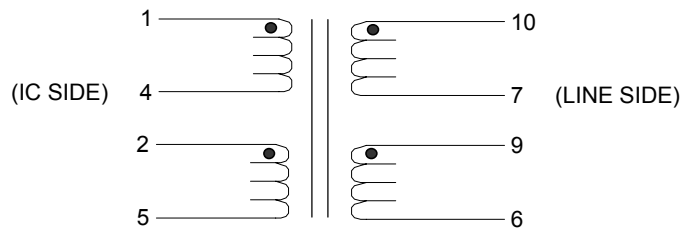
**Product Description**

**ADSL DMT, CP Transformer**

**Meets requirements of IEC60950 for supplementary insulation, 250V working voltage**



Customer to determine PCB pad dimensions.



Information subject to change without notice. 09/03

Primary units are in inches. Millimeters are in brackets.

### Electrical Specifications at +20°C unless noted otherwise

Test Description	Limit	Units	Tol	Notes
Inductance	440	μH	± 5%	10-6 tie( 7+9 ), 10kHz, 100mVAC, Ls.
Leakage Inductance	10	μH	Max.	10-6 tie( 1+5, 2+4, 7+9 ), 100kHz, 100mVAC, Ls.
DC Resistance	0.67	Ω	± 10%	10-7
DC Resistance	0.40	Ω	± 10%	1-4
DC Resistance	0.40	Ω	± 10%	2-5
DC Resistance	0.90	Ω	± 10%	9-6
Turns Ratio	2 : 1	---	± 1%	( 10-6 ) : ( 1-5 ) tie( 2+4, 7+9 ), 10kHz, 100mVAC.
Dielectric	1875	VAC	500μA	LINE : IC, 1 second test, 500μA maximum leakage current.
Total Harmonic Distortion	-90	dB	Max.	100kHz, 4.3Vrms [ 12 Vp-p ], Line : IC
Insertion Loss	1.00	dB	Max.	@ 772kHz
Frequency Response	± 0.5	dB	Max.	100kHz - 1.1MHz, 772kHz Reference
Longitudinal Balance (ITU)	50	dB	Min.	30kHz - 1.1MHz.

### Agency Approvals

BABT	Certificate No. NC/006688	Japan (via CB Cert.)	Certif. No. 12188
UL1950	File E189690	Austel (via CB Cert.)	Certif. No. 12188
CSA 950 (via UL/CUL)	File E189690	Sweden (via CB Cert.)	Certif. No. 12188
IEC 60950 (via CB Cert.)	Certificate No. 12188	Norway (via CB Cert.)	Certif. No. 12188

**BABT**

Designed to reflect 100 ohms on Line with 25 ohms on the IC Side.

Operating Temperature: -40°C to +85°C

The information contained in this drawing is the sole property of CoEv, Inc. Any reproduction or use without the written permission of CoEv, Inc. is prohibited.

TEL 888-978-2638 - FAX 605-886-8995 - Specifications subject to change without notice. For latest revision visit [www.tycopowercomponents.com](http://www.tycopowercomponents.com)

Date: 09/22/03