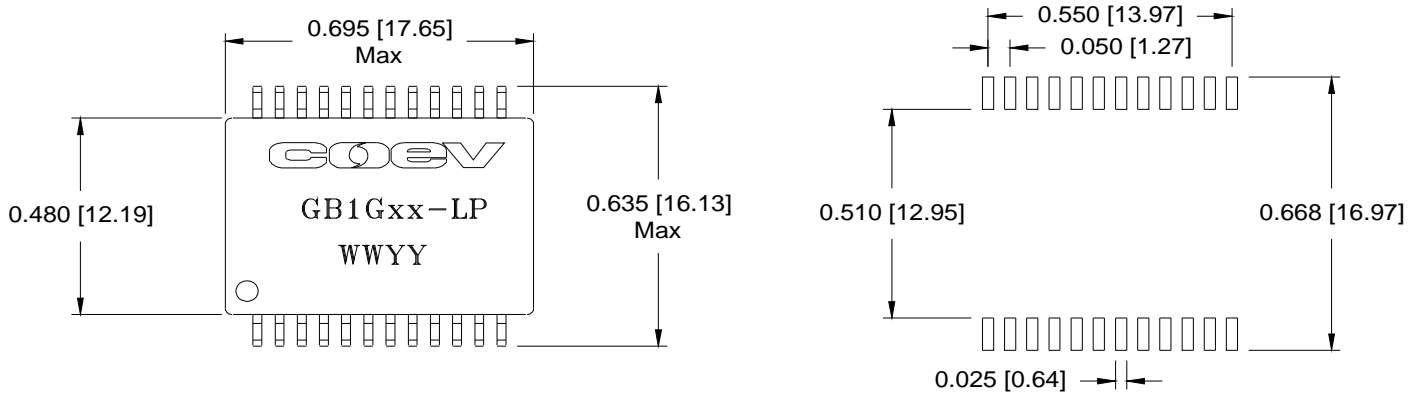


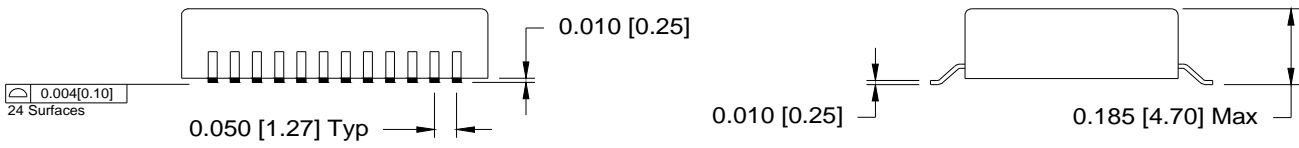
<b>Product Description</b>	<b>1000BASE-T MAGNETICS</b> <b>SINGLE CHANNEL, SURFACE MOUNT MODULE</b>
----------------------------	--

**Standard Features:**

- Single channel interface for gigabit application.
- Compliant with IEEE 802.3 and ANSI X3.263 Standards.
- Surface mount package designed for reflow process (240°C peak).
- Tape and Reel packaging standard.
- Package molded using UL94-V0 rated material.



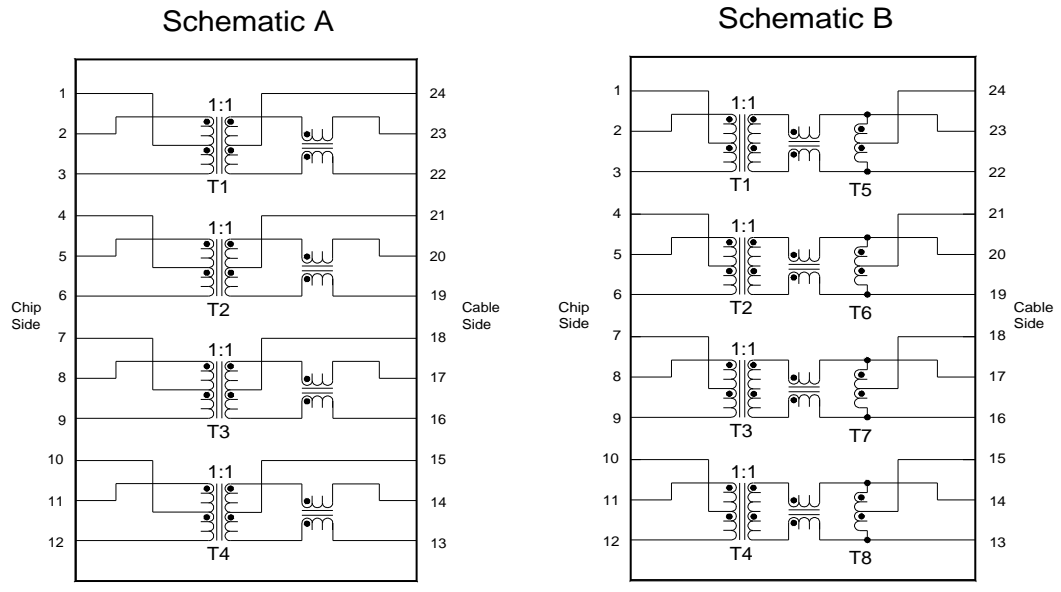
**Suggested Pad Layout**



All dimensions are in inches [millimeters].  
 All dimensions are  $\pm 0.005 [0.127]$  unless otherwise noted.  
 Part is made using transfer molding technology.

Downloaded from [Elcodis.com](http://Elcodis.com) electronic components distributor

<b>Product Description</b>	<b>1000BASE-T MAGNETICS</b> <b>SINGLE CHANNEL, SURFACE MOUNT MODULE</b>
----------------------------	--



**1000BASE-T Electrical Characterisitcs @ 25°C**

Inductance: 350uH Min with 8mADC Bias, 0°C - 70°C  
 (each transformer measured on the cable side)

Dielectric Isolation: 1500Vrms Minimum

Frequency	Insertion Loss (dB Max)	Return Loss (dB Min) (Note 1)	Crosstalk Attenuation (dB Min)	CMRR (dB Min)
0.1MHz - 1MHz	1.0	18.0	43.0	46.0
1.1MHz - 15MHz	0.4	18.0	35.0	46.0
15.1MHz - 40MHz	0.6	18.0	35.0	46.0
40.1MHz - 60MHz	0.8	14.5 @ 60Mhz	30.0	42.0
60.1MHz - 80MHz	1.2	12.0 @ 80MHz	30.0	42.0
80.1MHz - 100MHz	1.3	10.1 @ 100MHz	30.0	42.0

Notes:  
 1) Minimum return loss is as follows with a circuit impedance of 100 Ohms +/- 15%:  
 0.1Mhz - 39.9Mhz = 18dB  
 40Mhz - 100MHz = 12 - 20Log<sub>10</sub>(f/80) dB where f is in MHz

**Part Number Table**

Part Number	Schematic
GB1G01-LP	A
GB1G04-LP	B

The information contained in this drawing is the sole property of Tyco Electronics Corporation.

TEL 888-978-2638 - FAX 605-886-8995 - Specifications subject to change without notice. For latest revision visit [www.tycopowercomponents.com](http://www.tycopowercomponents.com)