

Features

- Compliant with IEEE 802.3 and ANSI X3.263
- Designed to support 4 single or double stacked RJ45 connectors
- 40 pin SMD
- RoHS compliant*

Applications

- LAN (Local Area Network)
- Ethernet

PT61007L LAN 10Base-T/ 100Base-TX QUAD

Electrical Specifications @ 25 °C

Turns Ratio	
TX.....	1:1
RX.....	1:1
OCL @ 8mADC μ H min.....	350
Rise & Fall Time (ns max).....	3.0
Insertion Loss (dB max.)	
0.1 to 100 MHz.....	-1.1
Cross Talk (dB min.)	
0.1 to 100 MHz.....	-30
Hipot 60 sec. (Vrms).....	1500
Leakage Inductance (μ H max.).....	0.5
Interwinding Capacity (pF max.).....	25
Return Loss (dB min.)	
0.1 to 30 MHz.....	-18
30 to 60 MHz.....	-14
60 to 80 MHz.....	-11
Typ. Diff to Com Mode Rejection (dB min.)	
0.1 to 100 MHz.....	-40
Operating Temperature... 0 °C to +70 °C	

Other OCL specifications available on request.

Packaging Specifications

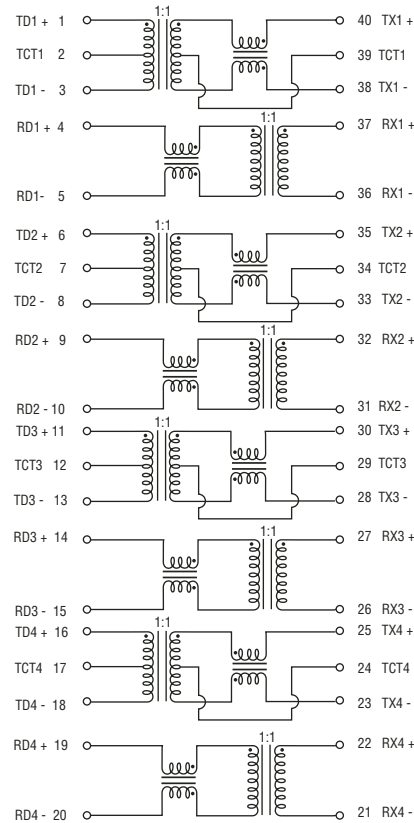
Tube.....	18 pcs./tube
Tape & Reel*.....	400 pcs./reel

**"E" suffix before "L" in part number designates tape & reel packaging, e.g. PT61007EL.

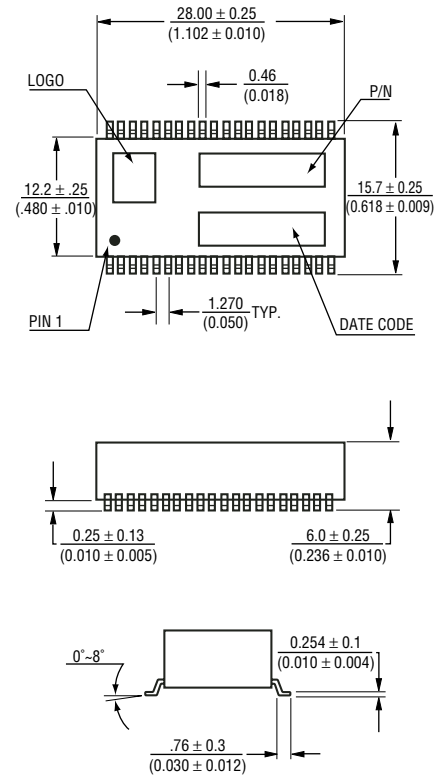
How To Order

Model	PT61007	L
Packaging		
Blank = Packaged in tubes		
E = Tape and reel		
Termination		
L = Tin only (lead free)		

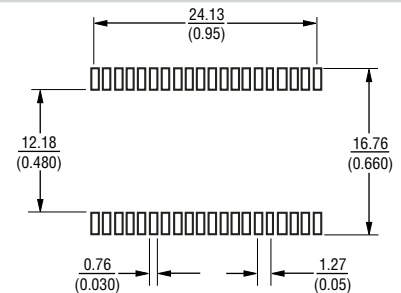
Electrical Schematic



Product Dimensions



Recommended Layout



DIMENSIONS: $\frac{\text{MM}}{\text{(INCHES)}}$

REV. 09/08

*RoHS Directive 2002/95/EC Jan 27 2003 including Annex. Specifications are subject to change without notice.

Customers should verify actual device performance in their specific applications