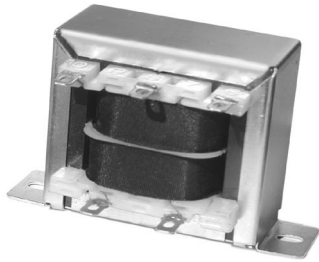




LAMINATED TRANSFORMERS

Low Frequency, Open-Style Laminated, Chassis-Tran Series



AGENCY APPROVALS 

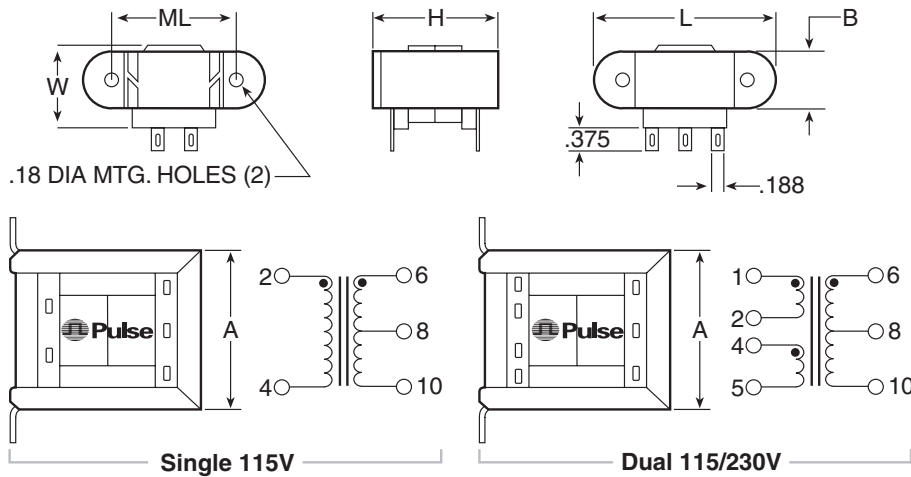
- UL, 506, File E73539
- UL 1446, File E179499
- CSA 22.2#66, File LR68051-2 
- UL Recognized Class B

- ⊕ Channel frame mounting
- ⊕ Split bobbin. High isolation (2500V). 2500VRMS Hipot
- ⊕ Non-concentric design - eliminates ESS
- ⊕ No crossover between primary/secondary winding leads
- ⊕ Vacuum impregnated - withstands board washing systems and reduces audible noise
- ⊕ Baked resin provides environmentally-resistant finish
- ⊕ Center tapped secondary offers dual outputs
- ⊕ Terminals suitable for either hard wiring or quick connect

| Part Number | | Secondary RMS Rating |
|--------------|-----------------|----------------------|
| Single 115V | Dual 115/230V | |
| 241-3-10A1 | (not available) | 10V C.T. @ 0.25A |
| 241-4-10A11 | DP 241-4-10A11 | 10V C.T. @ 0.6A |
| 241-5-10A21 | DP 241-5-10A21 | 10V C.T. @ 1.2A |
| 241-6-10A31 | DP 241-6-10A31 | 10V C.T. @ 3.0A |
| 241-7-10A41 | DP 241-7-10A41 | 10V C.T. @ 5.0A |
| 241-8-10A51 | DP 241-8-10A51 | 10V C.T. @ 10A |
| 241-3-12A2 | (not available) | 12.6V C.T. @ 0.2A |
| 241-4-12A12 | DP 241-4-12A12 | 12.6V C.T. @ 0.5A |
| 241-5-12A22 | DP 241-5-12A22 | 12.6V C.T. @ 1.0A |
| 241-6-12A32 | DP 241-6-12A32 | 12.6V C.T. @ 2.5A |
| 241-7-12A42 | DP 241-7-12A42 | 12.6V C.T. @ 4.0A |
| 241-8-12A52 | DP 241-8-12A52 | 12.6V C.T. @ 8.0A |
| 241-3-16A3 | (not available) | 16V C.T. @ 0.15A |
| 241-4-16A13 | DP 241-4-16A13 | 16V C.T. @ 0.4A |
| 241-5-16A23 | DP 241-5-16A23 | 16V C.T. @ 0.8A |
| 241-6-16A33 | DP 241-6-16A33 | 16V C.T. @ 2.0A |
| 241-7-16A43 | DP 241-7-16A43 | 16V C.T. @ 3.5A |
| 241-8-16A53 | DP 241-8-16A53 | 16V C.T. @ 6.25A |
| 241-3-20A4 | (not available) | 20V C.T. @ 0.12A |
| 241-4-20A14 | DP 241-4-20A14 | 20V C.T. @ 0.3A |
| 241-5-20A24 | DP 241-5-20A24 | 20V C.T. @ 0.6A |
| 241-6-20A34 | DP 241-6-20A34 | 20V C.T. @ 1.5A |
| 241-7-20A44 | DP 241-7-20A44 | 20V C.T. @ 2.8A |
| 241-8-20A54 | DP 241-8-20A54 | 20V C.T. @ 5.0A |
| 241-3-24A5 | (not available) | 24V C.T. @ 0.1A |
| 241-4-24A15 | DP 241-4-24A15 | 24V C.T. @ 0.25A |
| 241-5-24A25 | DP 241-5-24A25 | 24V C.T. @ 0.5A |
| 241-6-24A35 | DP 241-6-24A35 | 24V C.T. @ 1.25A |
| 241-7-24A45 | DP 241-7-24A45 | 24V C.T. @ 2.4A |
| 241-8-24A55 | DP 241-8-24A55 | 24V C.T. @ 4.0A |
| 241-3-28A6 | (not available) | 28V C.T. @ 0.085A |
| 241-4-28A16 | DP 241-4-28A16 | 28V C.T. @ 0.2A |
| 241-5-28A26 | DP 241-5-28A26 | 28V C.T. @ 0.42A |
| 241-6-28A36 | DP 241-6-28A36 | 28V C.T. @ 1.1A |
| 241-7-28A46 | DP 241-7-28A46 | 28V C.T. @ 2.0A |
| 241-8-28A56 | DP 241-8-28A56 | 28V C.T. @ 3.6A |
| 241-3-36A7 | (not available) | 36V C.T. @ 0.065A |
| 241-4-36A17 | DP 241-4-36A17 | 36V C.T. @ 0.17A |
| 241-5-36A27 | DP 241-5-36A27 | 36V C.T. @ 0.35A |
| 241-6-36A37 | DP 241-6-36A37 | 36V C.T. @ 0.85A |
| 241-7-36A47 | DP 241-7-36A47 | 36V C.T. @ 1.5A |
| 241-8-36A57 | DP 241-8-36A57 | 36V C.T. @ 2.8A |
| 241-3-48A8 | (not available) | 48V C.T. @ 0.05A |
| 241-4-48A18 | DP 241-4-48A18 | 48V C.T. @ 0.125A |
| 241-5-48A28 | DP 241-5-48A28 | 48V C.T. @ 0.25A |
| 241-6-48A38 | DP 241-6-48A38 | 48V C.T. @ 0.63A |
| 241-7-48A48 | DP 241-7-48A48 | 48V C.T. @ 1.2A |
| 241-8-48A58 | DP 241-8-48A58 | 48V C.T. @ 2.0A |
| 241-3-56A9 | (not available) | 56V C.T. @ 0.045A |
| 241-4-56A19 | DP 241-4-56A19 | 56V C.T. @ 0.11A |
| 241-5-56A29 | DP 241-5-56A29 | 56V C.T. @ 0.22A |
| 241-6-56A39 | DP 241-6-56A39 | 56V C.T. @ 0.54A |
| 241-7-56A49 | DP 241-7-56A49 | 56V C.T. @ 1.0A |
| 241-8-56A59 | DP 241-8-56A59 | 56V C.T. @ 1.8A |
| 241-3-120A10 | (not available) | 120V C.T. @ 0.02A |
| 241-4-120A20 | DP 241-4-120A20 | 120V C.T. @ 0.05A |
| 241-5-120A30 | DP 241-5-120A30 | 120V C.T. @ 0.1A |
| 241-6-120A40 | DP 241-6-120A40 | 120V C.T. @ 0.25A |
| 241-7-120A50 | DP 241-7-120A50 | 120V C.T. @ 0.5A |
| 241-8-120A60 | DP 241-8-120A60 | 120V C.T. @ 0.85A |

Mechanicals

Schematics



Dimensions (inches)

| Size | VA | L | W | H | A | B | ML | Wt. (lb.) |
|------|-----|------|------|------|------|------|------|-----------|
| 3 | 2.4 | 2.06 | 1.06 | 1.19 | 1.62 | 0.56 | 1.75 | 0.25 |
| 4 | 6 | 2.38 | 1.25 | 1.38 | 1.69 | 0.69 | 2.00 | 0.44 |
| 5 | 12 | 2.81 | 1.38 | 1.63 | 1.94 | 0.81 | 2.38 | 0.70 |
| 6 | 30 | 3.25 | 1.69 | 1.94 | 2.31 | 1.06 | 2.81 | 1.10 |
| 7 | 56 | 3.69 | 1.81 | 2.25 | 2.69 | 1.06 | 3.13 | 1.70 |
| 8 | 100 | 4.03 | 2.25 | 2.56 | 3.06 | 1.31 | 3.56 | 2.75 |