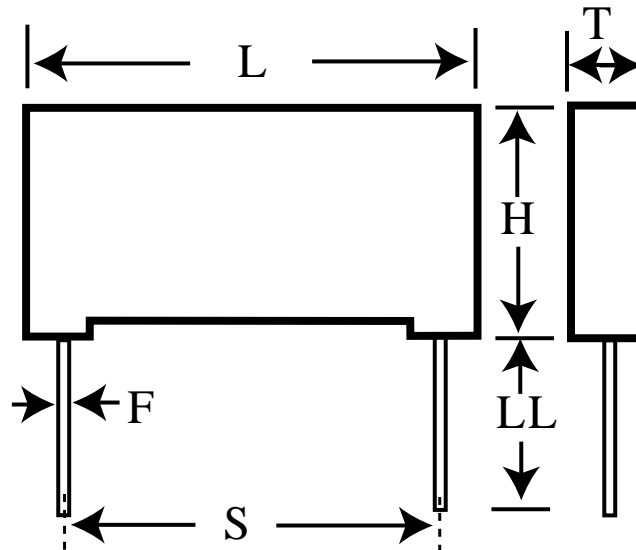


# PME271Y468MR30

aka P271QE682M250A

Capacitor, film, 6800 pF, +/-20% Tol, -40/+100C, Safety: Y2, 250VAC,  
Lead Spacing=15.2 mm



## Dimensions (mm)

ID	Dimension	Tolerance
L	18.5	max
H	10.5	max
T	5.2	max
S	15.2	+/-0.4
LL	30	nom
F	0.8	nom

## Specifications

Manufacturer:	KEMET
Brand:	Rifa
Capacitance:	6800 pF
Temperature Range:	-40/+100C
Rated Temperature:	100C
Voltage @ rated temp:	1000V
Voltage AC:	250VAC
Tolerance:	+/-20%
Body Type:	Radial Molded
Construction:	Non-inductive
Application:	Safety: Y2
Dielectric:	Metallized Paper
Dissipation Factor @ 1 kHz:	1.3%
Insulation Resistance:	12 GOhm
Maximum dVdT:	1400v/us
UL_1283:	250V
IEC_60384-14:	250V
EN_132400:	250V
C_22.2_NO.8:	250V
Miscellaneous Electrical:	fo= 19 MHz series(PME271Y)
Package Kind:	Bulk
Package Quantity:	500