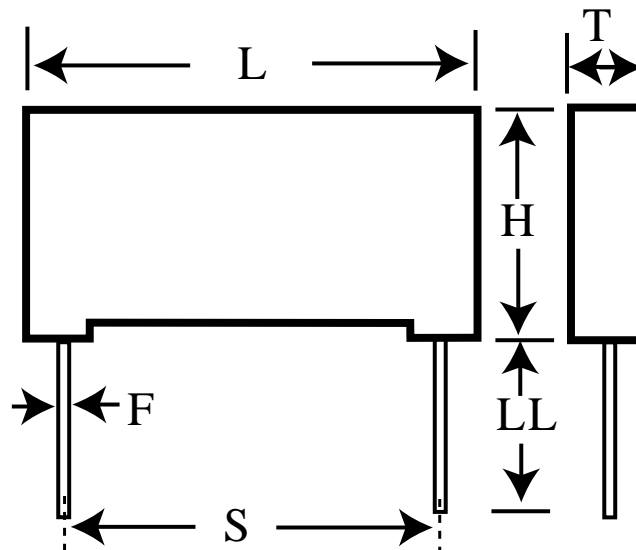


PME271Y410MR19T0

aka P271HE102M250L

Capacitor, film, 1000 pF, +/-20% Tol, -40/+100C, Safety: Y2, 250VAC,
Lead Spacing=10.2 mm



Dimensions (mm)

| ID | Dimension | Tolerance |
|----|-----------|-----------|
| L | 13.5 | max |
| H | 7.5 | max |
| T | 3.9 | max |
| S | 10.2 | +/-0.4 |
| LL | 19 | nom |
| F | 0.6 | nom |

Specifications

| | |
|-----------------------------|----------------------------|
| Manufacturer: | KEMET |
| Brand: | Rifa |
| Capacitance: | 1000 pF |
| Temperature Range: | -40/+100C |
| Rated Temperature: | 100C |
| Voltage @ rated temp: | 1000V |
| Voltage AC: | 250VAC |
| Tolerance: | +/-20% |
| Body Type: | Radial Molded |
| Construction: | Non-inductive |
| Application: | Safety: Y2 |
| Dielectric: | Metallized Paper |
| Dissipation Factor @ 1 kHz: | 1.3% |
| Insulation Resistance: | 12 GOhm |
| Maximum dVdT: | 2000v/us |
| UL_1283: | 250V |
| IEC_60384-14: | 250V |
| EN_132400: | 250V |
| C_22.2_NO.8: | 250V |
| Miscellaneous Electrical: | fo= 53 MHz series(PME271Y) |
| Package Kind: | T&R |
| Package Size: | 360mm |
| Package Quantity: | 700 |