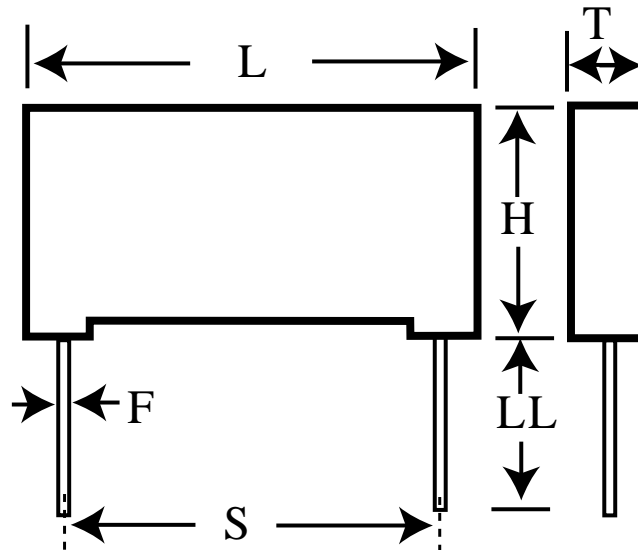


PME278RA4220MR30

aka P278HE222M440A

Capacitor, film, 2200 pF, +/-20% Tol, -40/+110C, Safety: X1, 440VAC,
Lead Spacing=10.2 mm



Dimensions (mm)

ID	Dimension	Tolerance
L	13.5	max
H	7.5	max
T	3.9	max
S	10.2	+/-0.4
LL	30	nom
F	0.6	nom

Specifications

Manufacturer:	KEMET
Brand:	Rifa
Capacitance:	2200 pF
Temperature Range:	-40/+110C
Rated Temperature:	110C
Voltage @ rated temp:	1000V
Voltage AC:	440VAC
Tolerance:	+/-20%
Body Type:	Radial Molded
Construction:	Non-inductive
Application:	Safety: X1
Dielectric:	Metallized Paper
Dissipation Factor @ 1 kHz:	1.3%
Insulation Resistance:	12 GOhm
Maximum dVdT:	2000v/us
IEC_60384-14:	440V
EN_132400:	440V
Miscellaneous Electrical:	PME278
Package Kind:	Bulk
Package Quantity:	1000