

VAL-SQ SI 40-2S-240

This item is no longer available. Should you have any questions, please contact our Sales Team.


Order No.: 2800006



<http://eshop.phoenixcontact.de/phoenix/treeViewClick.do?UID=2800006>

Surge protection device for 2-phase, 240 V applications with separate Gnd-N. Provides 40 kA protection per phase. Compact, NEMA 4X enclosure installs in limited space.

Commercial data

GTIN (EAN)	
Note	Made-to-order
sales group	J104
Pack	1 pcs.
Customs tariff	85363030
Catalog page information	Page 73 (TT-2009)

<http://www.download.phoenixcontact.com>
Please note that the data given here has been taken from the online catalog. For comprehensive information and data, please refer to the user documentation. The General Terms and Conditions of Use apply to Internet downloads.

Product description

40 kA Type 2 surge protective device for systems up to 240 V with separate Gnd-N

Technical data

Standards

Housing material	Non-metallic
Degree of protection	IP66 / NEMA 4X
Mounting type	1/2 inch NPT male
Design	MOV

Ambient temperature (operation)	-40 °C ... 70 °C
Altitude	3658 m
Message: Surge protection fault	Optical
Width	76.20 mm
Height	69.30 mm
Length	91.40 mm

Protective circuit

IEC category	I
Arrester rated voltage U _c	240 V

Connection, protective circuit

Connection method	#10 AWG/5.26 mm ² wires (24 in./61 cm long)
-------------------	--

Environmental conditions

Standards/regulations	UL 1449 2 nd edition, February 2007
	UL 1283
	IEEE C62.41
	IEEE C62.45

NEMA / UL data

UL type	type 2
Maximum Surge Current per Phase	40 kA
Short-circuit current rating (SCCR)	10 kA

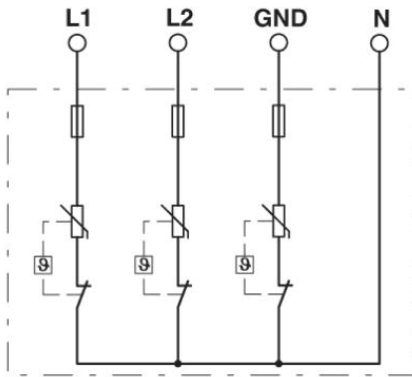
Certificates / Approvals



Certification GOST

Diagrams/Drawings

Circuit diagram



Address

PHOENIX CONTACT Inc., USA
586 Fulling Mill Road
Middletown, PA 17057, USA
Phone (800) 888-7388
Fax (717) 944-1625
<http://www.phoenixcon.com>



© 2011 Phoenix Contact
Technical modifications reserved;