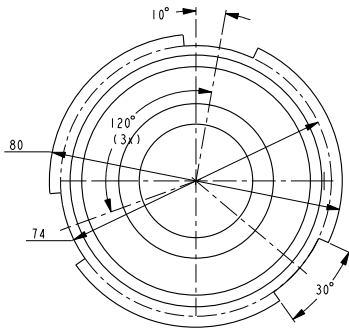
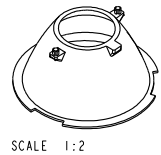
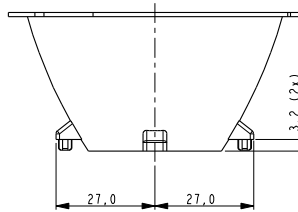
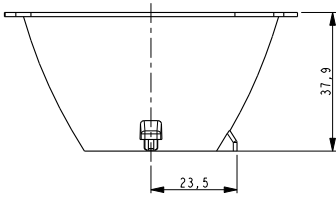
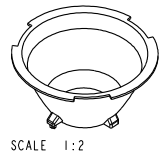


THIS DRAWING IS UNPUBLISHED. RELEASED FOR PUBLICATION
 COPYRIGHT BY TYCO ELECTRONICS CORPORATION. ALL RIGHTS RESERVED.

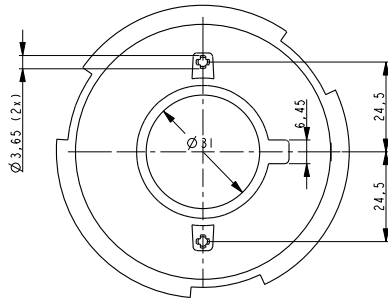
LOC	DIST	REVISIONS			
P	LTR	DESCRIPTION	DATE	OWN	APVD
I		INITIATE	11JAN2011	PP	OL



**PRELIMINARY PART
 NOT RELEASED FOR PRODUCTION**
 CONTACT ENGINEERING FOR LAST
 REVISION BEFORE USING THIS DRAWING
 Engineer: J v/d Krogt



- NOTES:
1. MATERIAL: PC;
 2. COATING: METAL COATING AND CLEAR LACQUER;
 3. MUST COMPLY WITH DIRECTIVE 2002/95/EC (ROHS)



PARTNUMBER	DESCRIPTION
2154167-1	NARROW 28°
2154167-2	WIDE 48°

<small>THIS DRAWING IS A CONTROLLED DOCUMENT FOR TYCO ELECTRONICS CORPORATION IT IS UNPUBLISHED AND NOT TO BE RELEASED FOR PUBLICATION UNLESS BY CONTACTING THE LATEST REVISION.</small>		DWN P. Poorter 11JAN2011 CHK J v/d Krogt 11JAN2011 APVD O. Leijse 11JAN2011	Tyco Electronics Corporation 's-Hertogenbosch, the Netherlands
DIMENSIONS: mm	TOLERANCES UNLESS OTHERWISE SPECIFIED: 0 PLC ±: 1 PLC ±: 2 PLC ±: 3 PLC ±: 4 PLC ±: ANGLES ±:	NAME OPTIC REFLECTOR NEVALO CN88	RESTRICTED TO
MATERIAL	SEE NOTE	FINISH SEE NOTE	WEIGHT -
CUSTOMER DRAWING		SIZE A3	CAGE CODE 00779
		DRAWING NO 2154167	SCALE 1:1
		SHEET OF	REV OF