

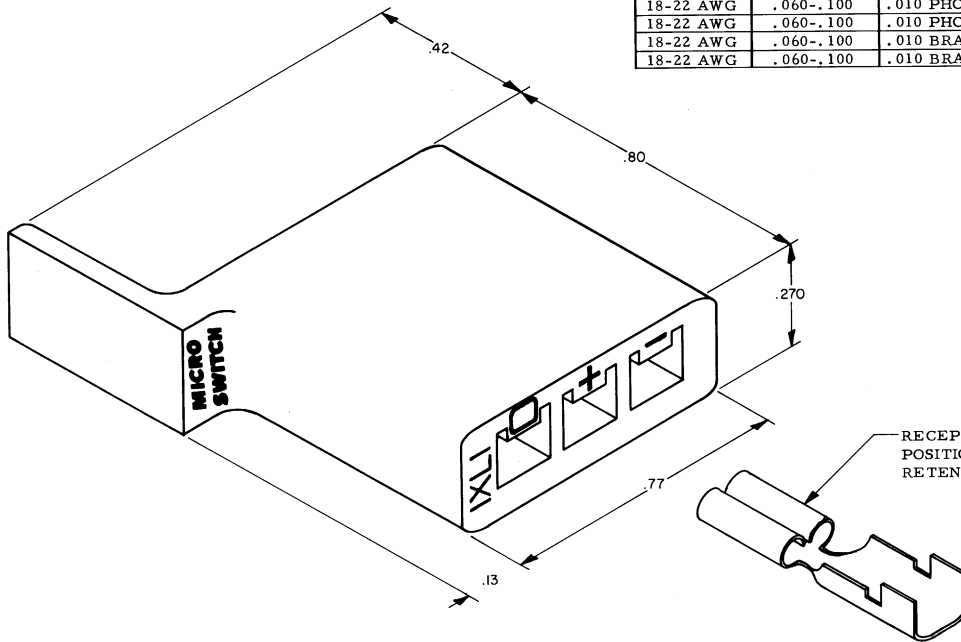
MICRO SWITCH
 FREEPORT, ILLINOIS U.S.A.
 A DIVISION OF HONEYWELL
 FED. MFG. CODE 91929

CONNECTOR - BLOCK

CATALOG LISTING
1XL1

RECOMMENDED RECEPTACLES

WIRE SIZE	INSULATION RANGE	MATERIAL	FINISH	SUPPLIER	SUPPLIER PART NO.
18-22 AWG	.060-.100	.010 BRASS	NONE	AMP	42068-0
18-22 AWG	.060-.100	.010 BRASS	TIN	AMP	42068-1
18-22 AWG	.060-.100	.010 PHOS BRONZE	NONE	AMP	42068-3
18-22 AWG	.060-.100	.010 PHOS BRONZE	TIN	AMP	42068-4
18-22 AWG	.060-.100	.010 BRASS	GOLD	AMP	42068-5
18-22 AWG	.060-.100	.010 BRASS	SILVER	AMP	42068-6



ISSUE X 3 DRAWING NUMBER M 1XL1 RELEASE NO. PR-9546
 REVISIONS
 A 10/15/59
 B 11/15/59
 C 12/15/59
 D 1/17/60
 E 2/17/60
 F 3/17/60
 G 4/17/60
 H 5/17/60
 I 6/17/60
 J 7/17/60
 K 8/17/60
 L 9/17/60
 M 10/17/60
 N 11/17/60
 O 12/17/60
 P 1/17/61
 Q 2/17/61
 R 3/17/61
 S 4/17/61
 T 5/17/61
 U 6/17/61
 V 7/17/61
 W 8/17/61
 X 9/17/61
 Y 10/17/61
 Z 11/17/61
 AA 12/17/61
 AB 1/17/62
 AC 2/17/62
 AD 3/17/62
 AE 4/17/62
 AF 5/17/62
 AG 6/17/62
 AH 7/17/62
 AI 8/17/62
 AJ 9/17/62
 AK 10/17/62
 AL 11/17/62
 AM 12/17/62
 AN 1/17/63
 AO 2/17/63
 AP 3/17/63
 AQ 4/17/63
 AR 5/17/63
 AS 6/17/63
 AT 7/17/63
 AU 8/17/63
 AV 9/17/63
 AW 10/17/63
 AX 11/17/63
 AY 12/17/63
 AZ 1/17/64
 BA 2/17/64
 BB 3/17/64
 BC 4/17/64
 BD 5/17/64
 BE 6/17/64
 BF 7/17/64
 BG 8/17/64
 BH 9/17/64
 BI 10/17/64
 BJ 11/17/64
 BK 12/17/64
 BL 1/17/65
 BM 2/17/65
 BN 3/17/65
 BO 4/17/65
 BP 5/17/65
 BQ 6/17/65
 BR 7/17/65
 BS 8/17/65
 BT 9/17/65
 BU 10/17/65
 BV 11/17/65
 BU 12/17/65
 BV 1/17/66
 BW 2/17/66
 BX 3/17/66
 BY 4/17/66
 BZ 5/17/66
 CA 6/17/66
 CB 7/17/66
 CC 8/17/66
 CD 9/17/66
 CE 10/17/66
 CF 11/17/66
 CG 12/17/66
 CH 1/17/67
 CI 2/17/67
 CJ 3/17/67
 CK 4/17/67
 CL 5/17/67
 CM 6/17/67
 CN 7/17/67
 CO 8/17/67
 CP 9/17/67
 CQ 10/17/67
 CR 11/17/67
 CS 12/17/67
 CT 1/17/68
 CU 2/17/68
 CV 3/17/68
 CW 4/17/68
 CX 5/17/68
 CY 6/17/68
 CZ 7/17/68
 DA 8/17/68
 DB 9/17/68
 DC 10/17/68
 DD 11/17/68
 DE 12/17/68
 DF 1/17/69
 DG 2/17/69
 DH 3/17/69
 DI 4/17/69
 DJ 5/17/69
 DK 6/17/69
 DL 7/17/69
 DM 8/17/69
 DN 9/17/69
 DO 10/17/69
 DP 11/17/69
 DQ 12/17/69
 DR 1/17/70
 DS 2/17/70
 DT 3/17/70
 DU 4/17/70
 DV 5/17/70
 DW 6/17/70
 DX 7/17/70
 DY 8/17/70
 DZ 9/17/70
 EA 10/17/70
 EB 11/17/70
 EC 12/17/70
 ED 1/17/71
 EE 2/17/71
 EF 3/17/71
 EG 4/17/71
 EH 5/17/71
 EI 6/17/71
 EJ 7/17/71
 EK 8/17/71
 EL 9/17/71
 EM 10/17/71
 EN 11/17/71
 EO 12/17/71
 EP 1/17/72
 EQ 2/17/72
 ER 3/17/72
 ES 4/17/72
 ET 5/17/72
 EU 6/17/72
 EV 7/17/72
 EW 8/17/72
 EX 9/17/72
 EY 10/17/72
 EZ 11/17/72
 FA 12/17/72
 FB 1/17/73
 FC 2/17/73
 FD 3/17/73
 FE 4/17/73
 FF 5/17/73
 FG 6/17/73
 FH 7/17/73
 FI 8/17/73
 FJ 9/17/73
 FK 10/17/73
 FL 11/17/73
 FM 12/17/73
 FN 1/17/74
 FO 2/17/74
 FP 3/17/74
 FQ 4/17/74
 FR 5/17/74
 FS 6/17/74
 FT 7/17/74
 FU 8/17/74
 FV 9/17/74
 FW 10/17/74
 FX 11/17/74
 FY 12/17/74
 GA 1/17/75
 GB 2/17/75
 GC 3/17/75
 GD 4/17/75
 GE 5/17/75
 GF 6/17/75
 GG 7/17/75
 GH 8/17/75
 GI 9/17/75
 GJ 10/17/75
 GK 11/17/75
 GL 12/17/75
 GM 1/17/76
 GN 2/17/76
 GO 3/17/76
 GP 4/17/76
 GQ 5/17/76
 GR 6/17/76
 GS 7/17/76
 GT 8/17/76
 GU 9/17/76
 GV 10/17/76
 GW 11/17/76
 GX 12/17/76
 HY 1/17/77
 HZ 2/17/77
 IA 3/17/77
 IB 4/17/77
 IC 5/17/77
 ID 6/17/77
 IE 7/17/77
 IF 8/17/77
 IG 9/17/77
 IH 10/17/77
 II 11/17/77
 IJ 12/17/77
 IK 1/17/78
 IL 2/17/78
 IM 3/17/78
 IN 4/17/78
 IO 5/17/78
 IP 6/17/78
 IQ 7/17/78
 IR 8/17/78
 IS 9/17/78
 IT 10/17/78
 IU 11/17/78
 IV 12/17/78
 IW 1/17/79
 IX 2/17/79
 IY 3/17/79
 IZ 4/17/79
 JA 5/17/79
 JB 6/17/79
 JC 7/17/79
 JD 8/17/79
 JE 9/17/79
 JF 10/17/79
 JG 11/17/79
 JH 12/17/79
 JI 1/17/80
 JJ 2/17/80
 JK 3/17/80
 JL 4/17/80
 JM 5/17/80
 JN 6/17/80
 JO 7/17/80
 JP 8/17/80
 JQ 9/17/80
 JR 10/17/80
 JS 11/17/80
 JT 12/17/80
 JU 1/17/81
 JV 2/17/81
 JW 3/17/81
 JX 4/17/81
 JY 5/17/81
 JZ 6/17/81
 KA 7/17/81
 KB 8/17/81
 KC 9/17/81
 KD 10/17/81
 KE 11/17/81
 KF 12/17/81
 KG 1/17/82
 KH 2/17/82
 KI 3/17/82
 KJ 4/17/82
 KK 5/17/82
 KL 6/17/82
 KM 7/17/82
 KN 8/17/82
 KO 9/17/82
 KP 10/17/82
 KQ 11/17/82
 KR 12/17/82
 KS 1/17/83
 KT 2/17/83
 KU 3/17/83
 KV 4/17/83
 KW 5/17/83
 KX 6/17/83
 KY 7/17/83
 KZ 8/17/83
 LA 9/17/83
 LB 10/17/83
 LC 11/17/83
 LD 12/17/83
 LE 1/17/84
 LF 2/17/84
 LG 3/17/84
 LH 4/17/84
 LI 5/17/84
 LJ 6/17/84
 LK 7/17/84
 LL 8/17/84
 LM 9/17/84
 LN 10/17/84
 LO 11/17/84
 LP 12/17/84
 LU 1/17/85
 LV 2/17/85
 LW 3/17/85
 LX 4/17/85
 LY 5/17/85
 LZ 6/17/85
 MA 7/17/85
 MB 8/17/85
 MC 9/17/85
 MD 10/17/85
 ME 11/17/85
 MF 12/17/85
 MG 1/17/86
 MH 2/17/86
 MI 3/17/86
 MJ 4/17/86
 MK 5/17/86
 ML 6/17/86
 MM 7/17/86
 MN 8/17/86
 MO 9/17/86
 MP 10/17/86
 MQ 11/17/86
 MR 12/17/86
 MS 1/17/87
 MT 2/17/87
 MU 3/17/87
 MV 4/17/87
 MW 5/17/87
 MX 6/17/87
 MY 7/17/87
 MZ 8/17/87
 NA 9/17/87
 NB 10/17/87
 NC 11/17/87
 ND 12/17/87
 NE 1/17/88
 NF 2/17/88
 NG 3/17/88
 NH 4/17/88
 NI 5/17/88
 NJ 6/17/88
 NK 7/17/88
 NL 8/17/88
 NM 9/17/88
 NN 10/17/88
 NO 11/17/88
 NP 12/17/88
 NU 1/17/89
 NV 2/17/89
 NW 3/17/89
 NX 4/17/89
 NY 5/17/89
 NZ 6/17/89
 OA 7/17/89
 OB 8/17/89
 OC 9/17/89
 OD 10/17/89
 OE 11/17/89
 OF 12/17/89
 OG 1/17/90
 OH 2/17/90
 OI 3/17/90
 OJ 4/17/90
 OK 5/17/90
 OL 6/17/90
 OM 7/17/90
 ON 8/17/90
 OO 9/17/90
 OP 10/17/90
 OQ 11/17/90
 OR 12/17/90
 OS 1/17/91
 OT 2/17/91
 OU 3/17/91
 OV 4/17/91
 OW 5/17/91
 OX 6/17/91
 OY 7/17/91
 OZ 8/17/91
 PA 9/17/91
 PB 10/17/91
 PC 11/17/91
 PD 12/17/91
 PE 1/17/92
 PF 2/17/92
 PG 3/17/92
 PH 4/17/92
 PI 5/17/92
 PJ 6/17/92
 PK 7/17/92
 PL 8/17/92
 PM 9/17/92
 PN 10/17/92
 PO 11/17/92
 PP 12/17/92
 PU 1/17/93
 PV 2/17/93
 PW 3/17/93
 PX 4/17/93
 PY 5/17/93
 PZ 6/17/93
 QA 7/17/93
 QB 8/17/93
 QC 9/17/93
 QD 10/17/93
 QE 11/17/93
 QF 12/17/93
 QG 1/17/94
 QH 2/17/94
 QI 3/17/94
 QJ 4/17/94
 QK 5/17/94
 QL 6/17/94
 QM 7/17/94
 QN 8/17/94
 QO 9/17/94
 QP 10/17/94
 QQ 11/17/94
 QR 12/17/94
 QS 1/17/95
 QT 2/17/95
 QU 3/17/95
 QV 4/17/95
 QW 5/17/95
 QX 6/17/95
 QY 7/17/95
 QZ 8/17/95
 RA 9/17/95
 RB 10/17/95
 RC 11/17/95
 RD 12/17/95
 RE 1/17/96
 RF 2/17/96
 RG 3/17/96
 RH 4/17/96
 RI 5/17/96
 RJ 6/17/96
 RK 7/17/96
 RL 8/17/96
 RM 9/17/96
 RN 10/17/96
 RO 11/17/96
 RP 12/17/96
 RU 1/17/97
 RV 2/17/97
 RW 3/17/97
 RX 4/17/97
 RY 5/17/97
 RZ 6/17/97
 SA 7/17/97
 SB 8/17/97
 SC 9/17/97
 SD 10/17/97
 SE 11/17/97
 SF 12/17/97
 SG 1/17/98
 SH 2/17/98
 SI 3/17/98
 SJ 4/17/98
 SK 5/17/98
 SL 6/17/98
 SM 7/17/98
 SN 8/17/98
 SO 9/17/98
 SP 10/17/98
 SQ 11/17/98
 SR 12/17/98
 SS 1/17/99
 ST 2/17/99
 SU 3/17/99
 SV 4/17/99
 SW 5/17/99
 SX 6/17/99
 SY 7/17/99
 SZ 8/17/99
 TA 9/17/99
 TB 10/17/99
 TC 11/17/99
 TD 12/17/99
 TE 1/1800
 TF 2/1800
 TG 3/1800
 TH 4/1800
 TI 5/1800
 TJ 6/1800
 TK 7/1800
 TL 8/1800
 TM 9/1800
 TN 10/1800
 TO 11/1800
 TP 12/1800
 TU 1/1801
 TV 2/1801
 TW 3/1801
 TX 4/1801
 TY 5/1801
 TZ 6/1801
 UA 7/1801
 UB 8/1801
 UC 9/1801
 UD 10/1801
 UE 11/1801
 UF 12/1801
 UG 1/1802
 UH 2/1802
 UI 3/1802
 UJ 4/1802
 UK 5/1802
 UL 6/1802
 UM 7/1802
 UN 8/1802
 UO 9/1802
 UP 10/1802
 UQ 11/1802
 UR 12/1802
 US 1/1803
 UT 2/1803
 UV 3/1803
 UV 4/1803
 UW 5/1803
 UX 6/1803
 UY 7/1803
 UZ 8/1803
 VA 9/1803
 VB 10/1803
 VC 11/1803
 VD 12/1803
 VE 1/1804
 VF 2/1804
 VG 3/1804
 VH 4/1804
 VI 5/1804
 VJ 6/1804
 VK 7/1804
 VL 8/1804
 VM 9/1804
 VN 10/1804
 VO 11/1804
 VP 12/1804
 VU 1/1805
 VV 2/1805
 VW 3/1805
 VX 4/1805
 VY 5/1805
 VZ 6/1805
 WA 7/1805
 WB 8/1805
 WC 9/1805
 WD 10/1805
 WE 11/1805
 WF 12/1805
 WG 1/1806
 WH 2/1806
 WI 3/1806
 WJ 4/1806
 WK 5/1806
 WL 6/1806
 WM 7/1806
 WN 8/1806
 WO 9/1806
 WP 10/1806
 WQ 11/1806
 WR 12/1806
 WS 1/1807
 WT 2/1807
 WU 3/1807
 WV 4/1807
 WX 5/1807
 WY 6/1807
 WZ 7/1807
 XA 8/1807
 XB 9/1807
 XC 10/1807
 XD 11/1807
 XE 12/1807
 XF 1/1808
 XG 2/1808
 XH 3/1808
 XI 4/1808
 XJ 5/1808
 XK 6/1808
 XL 7/1808
 XM 8/1808
 XN 9/1808
 XO 10/1808
 XP 11/1808
 XQ 12/1808
 XU 1/1809
 XV 2/1809
 XW 3/1809
 XV 4/1809
 XW 5/1809
 XW 6/1809
 XW 7/1809
 XW 8/1809
 XW 9/1809
 XW 10/1809
 XW 11/1809
 XW 12/1809
 YA 1/1810
 YB 2/1810
 YC 3/1810
 YD 4/1810
 YE 5/1810
 YF 6/1810
 YG 7/1810
 YH 8/1810
 YI 9/1810
 YJ 10/1810
 YK 11/1810
 YL 12/1810
 YM 1/1811
 YN 2/1811
 YO 3/1811
 YP 4/1811
 YQ 5/1811
 YR 6/1811
 YS 7/1811
 YT 8/1811
 YU 9/1811
 YV 10/1811
 YW 11/1811
 YX 12/1811
 YZ 1/1812
 ZA 2/1812
 ZB 3/1812
 ZC 4/1812
 ZD 5/1812
 ZE 6/1812
 ZF 7/1812
 ZG 8/1812
 ZH 9/1812
 ZI 10/1812
 ZJ 11/1812
 ZK 12/1812
 ZL 1/1813
 ZM 2/1813
 ZN 3/1813
 ZO 4/1813
 ZP 5/1813
 ZQ 6/1813
 ZR 7/1813
 ZS 8/1813
 ZT 9/1813
 ZU 10/1813
 ZV 11/1813
 ZW 12/1813
 ZY 1/1814
 ZZ 2/1814

THIS DRAWING COVERS A PROPRIETARY ITEM AND IS THE PROPERTY OF MICRO SWITCH, A DIVISION OF HONEYWELL. THIS DRAWING IS NOT TO BE COPIED OR USED WITHOUT THE APPROVAL OF MICRO SWITCH.		THIRD ANGLE PROJECTION	SCALE 4 TO 1 DO NOT SCALE PRINT
CHARACTERISTICS	ELECTRICAL DATA		TOLERANCES
	CONTACT ARRANGEMENT		APPLY TO DESIGN UNITS. CONVERSIONS ARE ONLY FOR REFERENCE UNLESS NOTED. TOLERANCES ARE ± NO PLACES ±.004 ONE PLACE ±.005 TWO PLACES ±.008 THREE PLACES ±.010 FOUR PLACES ±.015 FIVE PLACES ±.020 SIX PLACES ±.025 SEVEN PLACES ±.030 EIGHT PLACES ±.040 NINE PLACES ±.050 TEN PLACES ±.060 ELEVEN PLACES ±.070 TWELVE PLACES ±.080 THIRTEEN PLACES ±.090 FOURTEEN PLACES ±.100
			DESIGN UNITS <input type="checkbox"/> METRIC <input checked="" type="checkbox"/> US CUSTOMARY RAW MATERIAL - COMMERCIAL STANDARD MICRO SWITCH STANDARDS APPLY DIMENSIONS ARE TO BE MET BEFORE PROTECTIVE COATINGS ARE APPLIED
			WEIGHT