

DESCRIPTION: ABOVE AND BELOW P.C.B., DECK IS AS VIEWED BY USER.

PRODUCT NO. 72305-XXX	STAND-OFF HEIGHT DIM L	(A) HEADER ASSY 71249-XXXX	(B) MECHANISM ASSY 72304/92791-XXX	(C) MATING RECEPTACLE	MOUNTING STYLE TO PCB
000	0.0	0000	72304-000	100 POSITION (2x50) 0.8mm RECEPTACLE  PART NO. 73277-101000  ORDER SEPARATELY	
020	2.2	0022	72304-022		
040	4.3	0043	72304-043		
050	5.0	0050	72304-050		
005	0.0	0500	72304-000		
025	0.0	0522	72304-000		
045	0.0	0543	72304-000		
055	0.0	0550	72304-000		
520	2.2	5022	92791-022S		
540	4.3	5043	92791-043S		
550	5.0	5050	△ 92791-052		
525	0.0	5522	92791-001S		
545	0.0	5543	92791-001S		
555	0.0	5550	92791-001S		

NOTE:  
1. SEE 72306 FOR DOUBLE DECK ASSEMBLY

ORDERING INFORMATION

ORDER:

- EJECT HEADER ASSY (72305-XXX)
- MATING RECEPTACLE (73277-101000)

mat'l. code		surface ISO 1302		tolerance ISO 406 ISO 101		projection ISO 101		product family CARDBUS	
ltr	ecr no	dr	date	tolerances unless otherwise specified		MM		title	
E	V02257	TFG	11/3/00	angles	linear	MM		CARDBUS SINGLE DECK	
F	N05-0074	WB	03/14/05	±2°		scale		ASS'Y SMT TYPE 123	
G	N06-0012	MZ	01/16/06					dwg no	
H	N06-0128	M.Z	05/11/06	dr	Mike Zhou	05/10/06		sheet 1 of 1 size	
J	N07-0109	DT	5/7/07	engr	Mike Zhou	05/10/06		72305 A4	
K	N08-0028	MZ	2/25/08	chr	Mike Zhou	05/10/06		type CUSTOMER Drawing	
				pppd	Qin David	05/10/06			
sheet	revision	K	K	K	K	K	K	K	K
index	sheet	1	2	3	4	5	6	7	8

PDM: Rev:K

STATUS Released

Printed: Oct 12, 2010 6

DESCRIPTION: ABOVE AND BELOW P.C.B., DECK IS AS VIEWED BY USER.

PRODUCT NO. 72305-XXX	STAND-OFF HEIGHT DIM L	Ⓐ HEADER ASSY 71249-XXXX	Ⓑ MECHANISM ASSY 72304/92791-XXX	Ⓒ MATING RECEPTACLE	MOUNTING STYLE TO PCB
000LF	0.0	0000LF	72304-000	100 POSITION (2x50) 0.8mm RECEPTACLE PART NO. 73277-101402LF ▲ ORDER SEPARATELY	
020LF	2.2	0022LF	72304-022		
040LF	4.3	0043LF	72304-043		
050LF	5.0	0050LF	72304-050		
005LF	0.0	0500LF	72304-000		
025LF	0.0	0522LF	72304-000		
045LF	0.0	0543LF	72304-000		
055LF	0.0	0550LF	72304-000		
520LF	2.2	5022LF	92791-022S		
540LF	4.3	5043LF	92791-043S		
550LF	5.0	5050LF	▲ 92791-052		
525LF	0.0	5522LF	92791-001S		
545LF	0.0	5543LF	92791-001S		
555LF	0.0	5550LF	92791-001S		

NOTE:

- SEE 72306 FOR DOUBLE DECK ASSEMBLY
- IF LEAD FREE P/N.THE HOUSING WILL WITHSTAND EXPOSURE TO 260°C PEAK TEMPERATURE FOR 10 SECONDS IN A WAVE SOLDER APPLICATION WITH A 1.00MM MINIMUM THICK CIRCUIT BOARD.
- IF LEAD FREE P/N.THE PRODUCT MEETS EUROPEAN UNION DIRECTIVES AND OTHER COUNTRY REGULATIONS AS DISCRIBLED IN GS-22-008
- LEAD FREE P/N PACKAGING MEETS GS-14-920 SPECIFICATION

ORDERING INFORMATION

ORDER:

- EJECT HEADER ASSY (72305-XXXLF)
- MATING RECEPTACLE (73277-101000LF)

mat'l. code	surface ISO 1302	tolerance ISO 406 ISO 101	projection 101	product family CARDBUS
lfr	ecn no	dr	date	title CARDBUS SINGLE DECK ASS'Y SMT TYPE 123
k				MM scale 4
	angles linear			dwg no 72305
	±2'			sheet 2 of 11 size A 4
	dr Mike Zhou 05/10/06			type CUSTOMER Drawing
	enr Mike Zhou 05/10/06			
	chr Mike Zhou 05/10/06			
	ppd Qin David 05/10/06			
sheet index	revision sheet			

PDM: Rev:K

STATUS Released

Printed: Oct 12, 2010 6

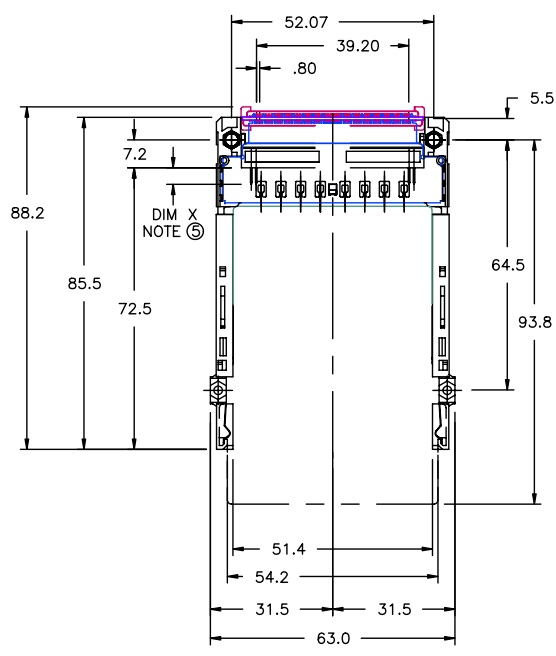
FCI CONFIDENTIAL



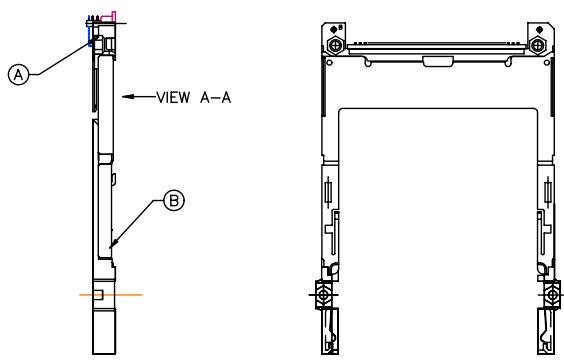
This document is the property of and includes CONFIDENTIAL and PROPRIETARY information of FCI. No part of the information shown on this document may be used in any way or disclosed to other parties without the written consent of FCI. Copyright © FCI.

PRODUCT NUMBER
72305-***
72305-***LF

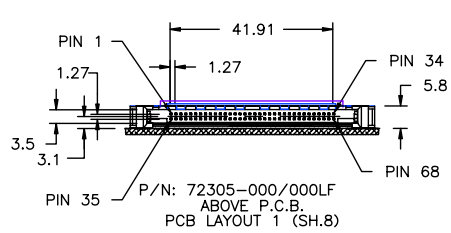
1 | 2 | 3 | 4 | 5 | 6



MATING RECEPTACLE SHOWN FOR APPLICATION CLARITY ONLY. MUST BE ORDERED SEPARATELY



VIEW A-A  
(APPLIES TO ALL P/NS)



mat'l. code	surface	tolerance	projection	product family
	ISO 1302	ISO 406 ISO 1101		CARDBUS
ltr	ecn no	dr	date	title
K				CARDBUS SINGLE DECK ASS'Y SMT TYPE 123
			angles	linear
			±2'	MM
			scale	scale
	dr	Mike Zhou	05/10/06	dwg no
	engr	Mike Zhou	05/10/06	sheet
	chr	Mike Zhou	05/10/06	3 of 11
	pppd	Qin David	05/10/06	size
				A 4
sheet	revision			type
index	sheet			CUSTOMER Drawing

PDM: Rev:K STATUS Released Printed: Oct 12, 2010 6

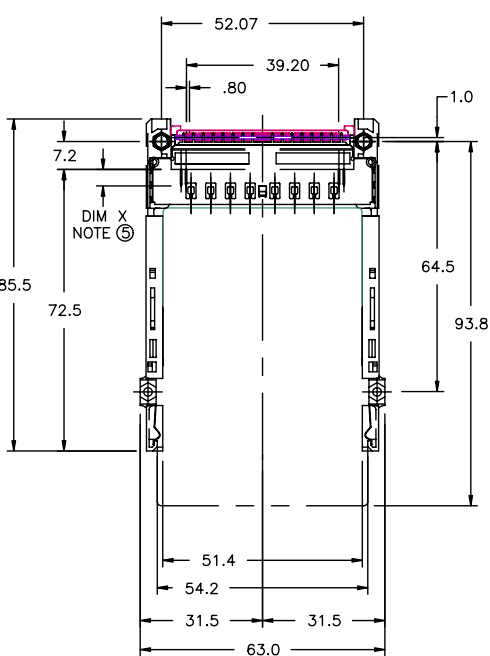
form: A3 1 | 2 | 3

FCI CONFIDENTIAL

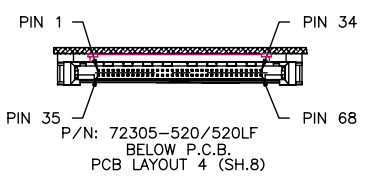
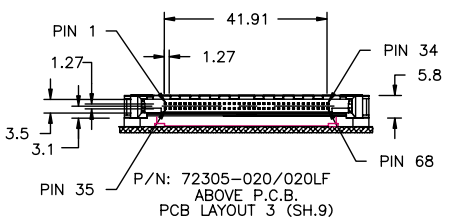
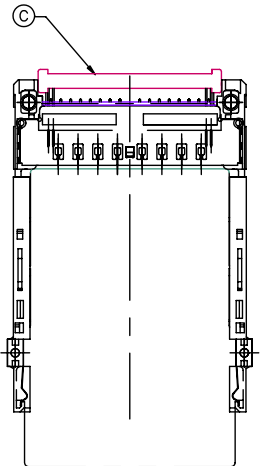
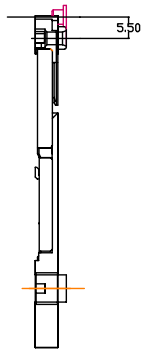
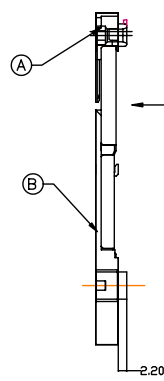
FCI  
FCIconnect.com

This document is the property of and contains CONFIDENTIAL and PROPRIETARY information of FCI. No part of the information shown on this document may be used in any way or disclosed to others without the written consent of FCI.  
Copyright © FCI

PRODUCT NUMBER
72305-***
72305-***LF



MATING RECEPTACLE SHOWN FOR APPLICATION CLARITY ONLY. MUST BE ORDERED SEPARATELY



mat'l. code		surface	tolerance	projection	product family
ISO 1302		ISO 406 ISO 1104			CARDBUS
ltr	ecn no	dr	date	tolerances unless otherwise specified	title
K				angles	CARDBUS SINGLE DECK ASS'Y SMT TYPE 123
				linear	
				±2'	MM
				scale	scale
		dr	Mike Zhou 05/10/06		dwg no
		engr	Mike Zhou 05/10/06		72305
		chr	Mike Zhou 05/10/06		sheet 4 of 11
		pppd	Qin David 05/10/06		A 4
sheet index	revision sheet				type CUSTOMER Drawing

PDM: Rev:K STATUS Released Printed: Oct 12, 2010 6

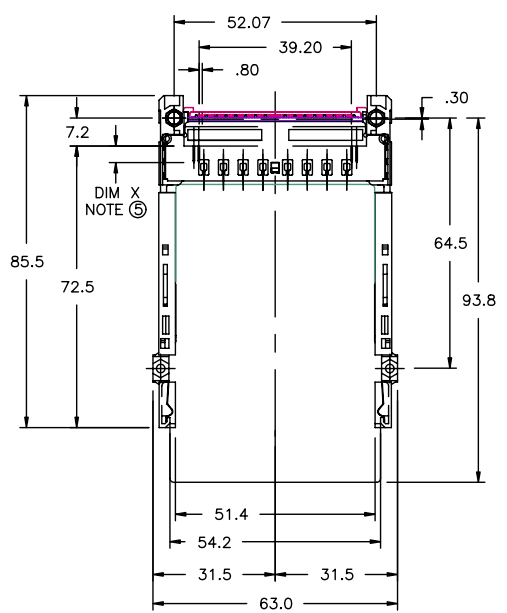
form: A3

FCI CONFIDENTIAL

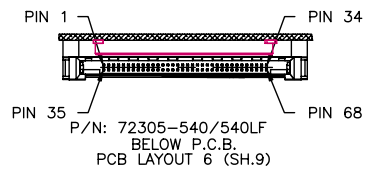
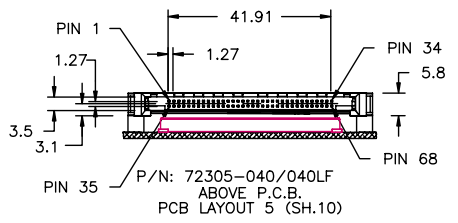
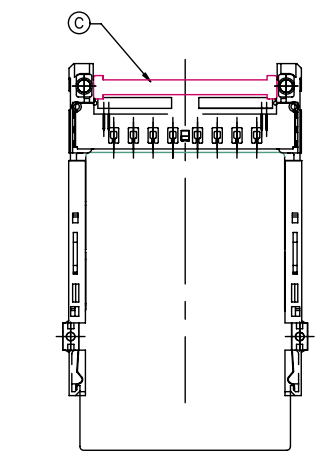
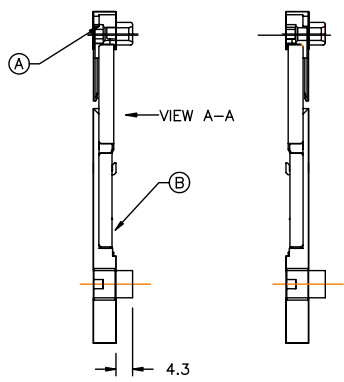


This document is the property of and includes CONFIDENTIAL and PROPRIETARY information of FCI. No part of this information may be used in any way or disclosed to others without the written consent of FCI. Copyright © FCI

PRODUCT NUMBER
72305-***
72305-***LF



MATING RECEPTACLE SHOWN FOR APPLICATION CLARITY ONLY. MUST BE ORDERED SEPARATELY



mat'l. code	surface	tolerance	projection	product family
ISO 1302	ISO 406 ISO 1104	ISO 406 ISO 1104	MM	CARDBUS
lfr	ecn no	dr	date	title
K				CARDBUS SINGLE DECK ASS'Y SMT TYPE 123
				dwg no
				72305
				sheet 5 of 11
				size A 4
				type CUSTOMER Drawing
sheet index	revision sheet			

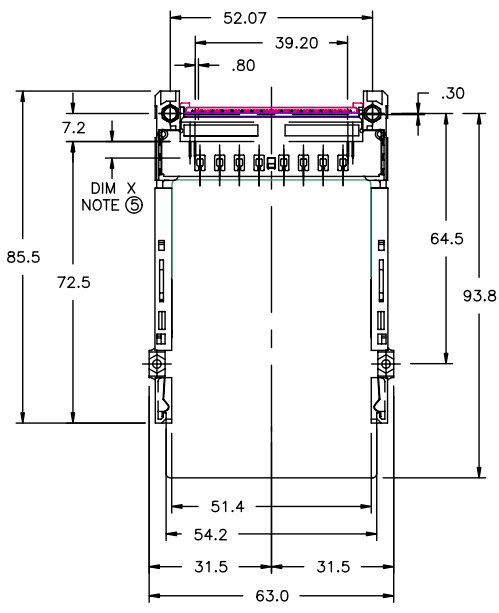
PDM: Rev:K STATUS Released Printed: Oct 12, 2010 6

form: A3

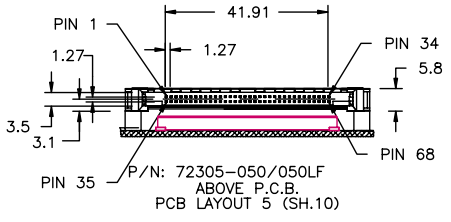
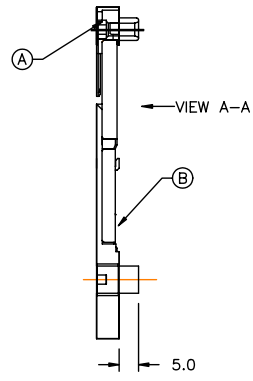
FCI CONFIDENTIAL

FCI  
FCIconnect.com  
This document is the property of and includes CONFIDENTIAL and PROPRIETARY information of FCI. No part of the information shown on this document may be used in any way or disclosed to others without the written consent of FCI. Copyright FCI.

PRODUCT NUMBER
72305-***
72305-***LF



MATING RECEPTACLE SHOWN FOR APPLICATION CLARITY ONLY. MUST BE ORDERED SEPARATELY.



mat'l. code	surface	tolerance	projection	product family
ISO 1302	ISO 406 ISO 1101	ISO 1101	MM	CARDBUS
ltr	ecn no	dr	date	title
K				CARDBUS SINGLE DECK ASS'Y SMT TYPE 123
				MM
				scale 4
				FCI
				dwg no 72305 sheet 6 of 11 size A 4
				type CUSTOMER Drawing
sheet index	revision sheet			

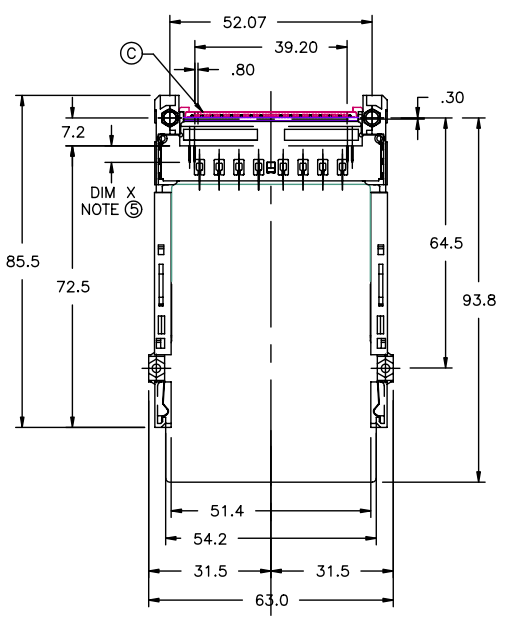
PDM: Rev:K STATUS: Released Printed: Oct 12, 2010 6

FCI CONFIDENTIAL

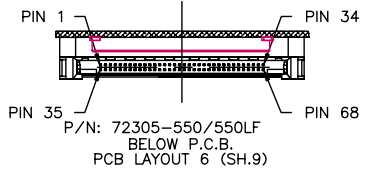
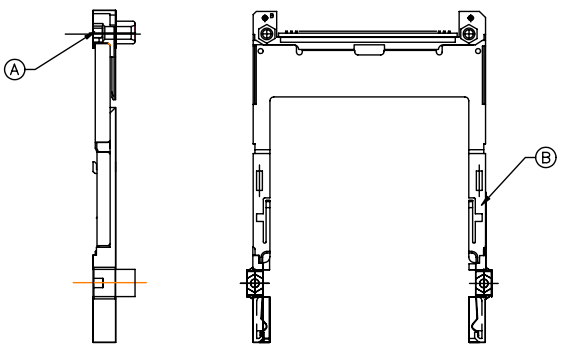
FCI  
FCIconnect.com

This document is the property of and includes CONFIDENTIAL and PROPRIETARY information of FCI. No part of the information shown on this document may be used in any way or disclosed to others without the written consent of FCI. Copyright © FCI.

PRODUCT NUMBER
72305-***
72305-***LF



MATING RECEPTACLE SHOWN FOR APPLICATION CLARITY ONLY. MUST BE ORDERED SEPARATELY



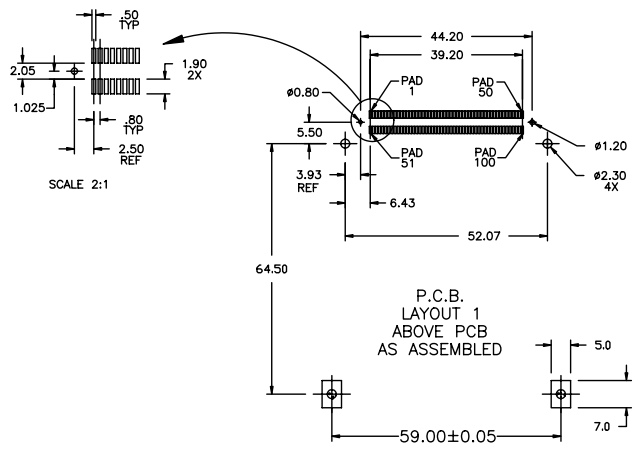
mat'l. code	surface	tolerance	projection	product family
ISO 1302	ISO 406 ISO 1101	ISO 1101	MM	CARDBUS
ltr	ecn no	dr	date	title
K				CARDBUS SINGLE DECK ASS'Y SMT TYPE 123
				MM
				scale 4
				FCI
				dwg no
				72305
				sheet 7 of 11
				size A 4
				type CUSTOMER Drawing
sheet index	revision sheet			

FCI CONFIDENTIAL



This document is the property of and includes CONFIDENTIAL and PROPRIETARY information of FCI. No part of the information shown on this document may be used in any way or disclosed to others without the written consent of FCI. Copyright © FCI.

P.C.B. LAYOUT FOR 0mm STANDOFF



mat'l. code		surface	tolerance	projection	product family
ISO 1302		ISO 406 ISO 1104			CARDBUS
ltr	ecn no	dr	date	title	
K				CARDBUS SINGLE DECK ASS'Y SMT TYPE 123	
angles		linear	±2'	MM	scale 4
dr	Mike Zhou	05/10/06		dwg no	sheet 8 of 11 size
engr	Mike Zhou	05/10/06		72305	A 4
chr	Mike Zhou	05/10/06		type	CUSTOMER Drawing
pppd	Qin David	05/10/06			
sheet index	revision sheet				

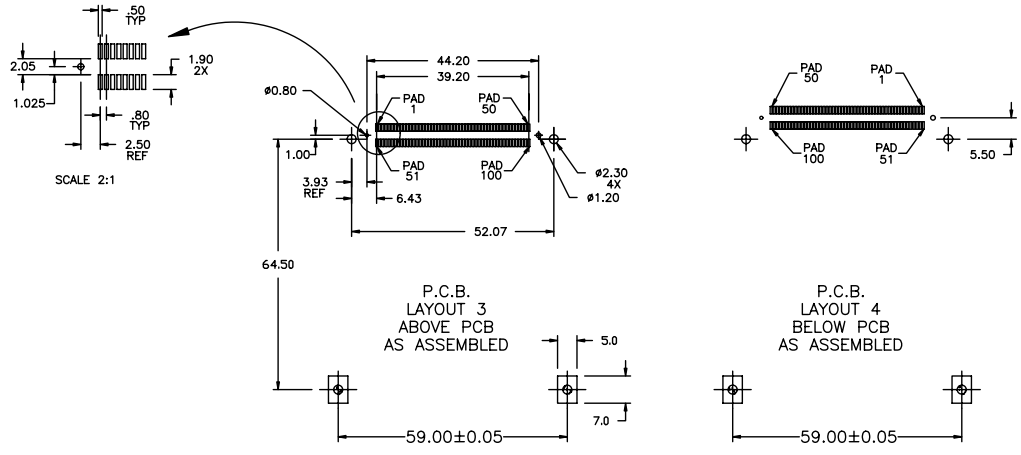
PDM: Rev:K STATUS Released Printed: Oct 12, 2010 6



FCI CONFIDENTIAL

FCI  
 This document is the property of and includes CONFIDENTIAL and PROPRIETARY information of FCI. No part of the information shown on this document may be used in any way or disclosed to others without the written consent of FCI.  
 Copyright © FCI  
 FCIconnect.com

### P.C.B. LAYOUT FOR 2.2mm STANDOFF



P.C.B. LAYOUT 3 ABOVE PCB AS ASSEMBLED

P.C.B. LAYOUT 4 BELOW PCB AS ASSEMBLED

mat'l. code		surface		tolerance		projection		product family	
		ISO 1302		ISO 406 ISO 1101				CARDBUS	
ltr		ecn no		dr		date		title	
K								CARDBUS SINGLE DECK ASSY SMT TYPE 123	
				angles		linear		MM	
				±2'		scale 4			
				dr		Mike Zhou 05/10/06		dwg no	
				engr		Mike Zhou 05/10/06		sheet 9 of 11 size	
				chr		Mike Zhou 05/10/06		72305 A 4	
				pppd		Qin David 05/10/06		type CUSTOMER Drawing	
sheet index		revision sheet							

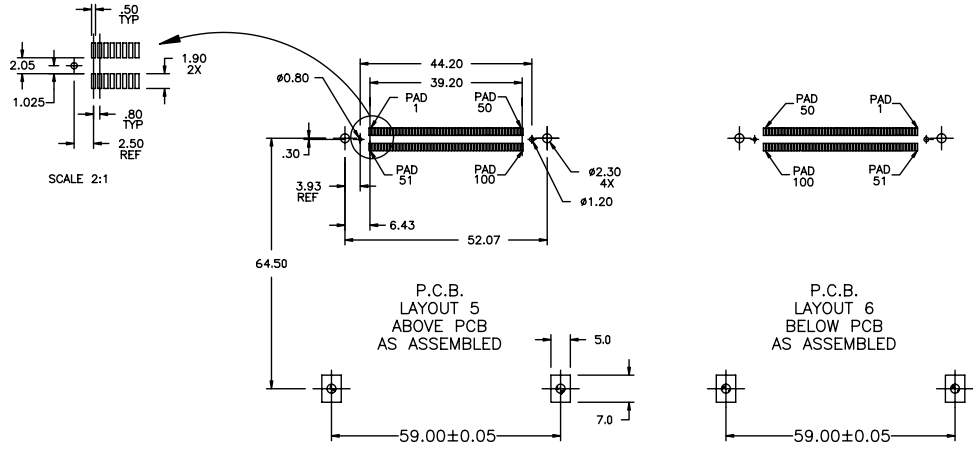
**PDM: Rev:K** STATUS **Released** Printed: Oct 12, 2010 6

FCI CONFIDENTIAL



This document is the property of and includes CONFIDENTIAL and PROPRIETARY information of FCI. No part of the information shown on this document may be used in any way or disclosed to others without the written consent of FCI. Copyright © FCI.

### P.C.B. LAYOUT FOR 4.3 AND 5.0mm STANDOFFS



mat'l. code		surface		tolerance		projection		product family	
		ISO 1302		ISO 406 ISO 1101				CARDBUS	
ltr		ecn no		dr		date		title	
K								CARDBUS SINGLE DECK ASS'Y SMT TYPE 123	
						scale 4		dwg no 72305 sheet 1 of 1 size A 4	
								type CUSTOMER Drawing	
sheet index		revision sheet							

**PDM: Rev:K** STATUS **Released** Printed: Oct 12, 2010 6

FCI CONFIDENTIAL



This document is the property of and includes CONFIDENTIAL and PROPRIETARY information of FCI. No part of the information shown on this document may be used in any way or disclosed to others without the written consent of FCI. Copyright © FCI.

1 | 2 | 3 | 4 | 5 | 6

HEADER PINOUT	TYPE	BTB 100 POS RECEPTACLE	HEADER PINOUT	TYPE	BTB 100 POS RECEPTACLE	SHIELD PINOUT	TYPE	BTB 100 POS RECEPTACLE
1	GND	1	35	GND	51	1	GND	4 & 54
2	SIG	2	36	DET	52	2	GND	7 & 57
3	SIG	3	37	SIG	53	3	GND	10 & 60
4	SIG	5	38	SIG	55	4	GND	13 & 63
5	SIG	6	39	SIG	56	5	GND	16 & 66
6	SIG	8	40	SIG	58	6	GND	19 & 69
7	SIG	9	41	SIG	59	7	GND	22 & 72
8	SIG	11	42	SIG	61	8	GND	25 & 75
9	SIG	12	43	SIG	62	9	GND	26 & 76
10	SIG	14	44	SIG	64	10	GND	29 & 79
11	SIG	15	45	SIG	65	11	GND	32 & 82
12	SIG	17	46	SIG	67	12	GND	35 & 85
13	SIG	18	47	SIG	68	13	GND	38 & 88
14	SIG	20	48	SIG	70	14	GND	41 & 91
15	SIG	21	49	SIG	71	15	GND	44 & 94
16	SIG	23	50	SIG	73	16	GND	47 & 97
17	PWR	24	51	PWR	74			
18	SIG	27	52	SIG	77			
19	SIG	28	53	SIG	78			
20	SIG	30	54	SIG	80			
21	SIG	31	55	SIG	81			
22	SIG	33	56	SIG	83			
23	SIG	34	57	SIG	84			
24	SIG	36	58	SIG	86			
25	SIG	37	59	SIG	87			
26	SIG	39	60	SIG	89			
27	SIG	40	61	SIG	90			
28	SIG	42	62	SIG	92			
29	SIG	43	63	SIG	93			
30	SIG	45	64	SIG	95			
31	SIG	46	65	SIG	96			
32	SIG	48	66	SIG	98			
33	SIG	49	67	DET	99			
34	GND	50	68	GND	100			

- NOTES:
- ORDER MATING RECEPTACLE SEPARATELY.
  - RECOMMENDED SCREW TORQUE: 1.0 TO 1.5 MAX in-lbs. (1.2-1.7 cm-kgs).  
RECOMMENDED HOLD-DOWN - 2mm SCREWS (95121)  
AND HEX NUTS (92869).
  - MATERIAL:
    - HEADER ASSY:  
PLASTIC HOUSING: LCP UL94V-0 BLACK - ABOVE PCB  
LCP UL94V-0 BLACK - BELOW PCB  
PIN: PHOSPHOR BRONZE  
PCB: FR4
    - MECHANISM ASSY:  
PLASTIC GUIDE: POLYPHTHARAMID UL94V-0 BLACK  
COVER PLATE: STAINLESS STEEL  
EMI CONTACT: PHOSPHOR BRONZE
    - .8 BTB RECEPTACLE (73277-101000):  
PLASTIC: LCP 94V-0 BLACK  
CONTACT: BeCu
  - FINISH (PIN)  
UNDER PLATING: 0.5um Ni  
CONTACT AREA: 0.1um GOLD OVER  
0.5um Pd-Ni  
SOLDER TAIL: 2.5um Sn-Pb FOR TIN LEAD OPTION  
2.5um PURE TIN FOR LEAD FREE OPTION
- ⑤ DIM "x"
- |          |         |                  |
|----------|---------|------------------|
| 4.25±0.1 | 3.5±0.1 | 5.0±0.1          |
| OTHERS   | 36,67   | 1,17,34,35,51,68 |
- IF LEAD FREE P/N, THE HOUSING WILL WITHSTAND EXPOSURE TO 260°C PEAK TEMPERATURE FOR 10 SECONDS IN A WAVE SOLDER APPLICATION WITH A 1.00MM MINIMUM THICK CIRCUIT BOARD.
  - IF LEAD FREE P/N, THE PRODUCT MEETS EUROPEAN UNION DIRECTIVES AND OTHER COUNTRY REGULATIONS AS DESCRIBED IN GS-22-008
  - LEAD FREE P/N PACKAGING MEETS GS-14-920 SPECIFICATION

mat'l. code	surface	tolerance	projection	product family
	ISO 1302	ISO 406 ISO 1101		CARDBUS
ltr	ecn no	dr	date	title
				CARDBUS SINGLE DECK ASS'Y SMT TYPE 123
				MM
				scale 4
				dwg no
				72305
				sheet 11 of 11 size
				A 4
				type CUSTOMER Drawing
sheet index	revision sheet			