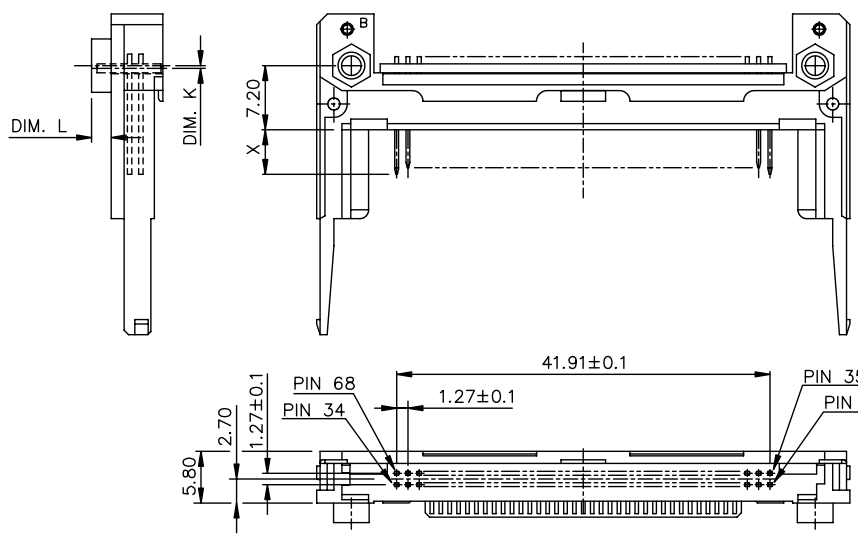




Tous droits strictement réservés. Reproduction ou communication, o des tiers int  
 propreté de BERG ELECTRONICS.  
 Droits de reproduction BERG ELECTRONICS by

All rights strictly reserved. Reproduction or issue to third parties in any for  
 measure is not permitted without written authority from the proprietor.  
 Copyright BERG ELECTRONICS by



DIM "X"			
PIN NUMBER	4.25±0.1	3.5±0.1	5.0±0.1
OTHERS	36,67	1,17,34	35,51,68

PRODUCT NO.	DIM.L	DIM.K±0.20
61127-5022/5022LF	2.2	-0.3
61127-5522/5522LF	0	6.55
61127-5543/5543LF	0	6.55
61127-5550/5550LF	0	6.55
61127-5500/5500LF	0	10.0
61127-5043/5043LF	4.3	-0.3
61127-5050/5050LF	5	-0.3

mat'l code		tolerance unless otherwise specified		CUSTOMER COPY		 www.fciconnect.com	
rev. J	ecm no.	dr	date	linear	±0.30	projection	title 68PDS. EJECTOR HEADER HEADER ASS'Y
				angles	± 2°		product family PDMGA
				dr	WENDY CHEN 10/16/01	unit mm/inch	code
				enrg	MINERVA WANG 10/16/01	size	dwg no. 61127
				chr	MINERVA WANG 10/16/01	scale 2:1	sheet 2 of
				appd	JENN TSAO 10/16/01		
sheet index	revision sheet						

PDM: Rev:K STATUS Released Printed: Oct 12, 2010

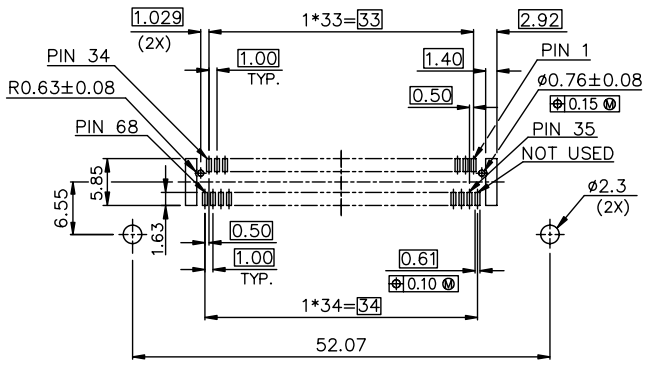


Tous droits strictement réservés. Reproduction ou communication, o des tiers int  
 proceure de BERG ELECTRONICS sans autorisation écrite du propriétaire.  
 Droits de reproduction BERG ELECTRONICS by

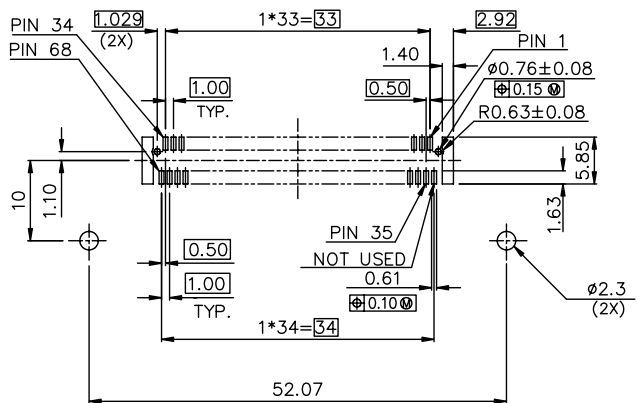
All rights strictly reserved. Reproduction or issue to third parties in any for  
 answer is not permitted without written authority from the proprietor.  
 Copyright BERG ELECTRONICS by

FOR P/N: 61127-5522/5543/5550/5522LF/5543LF/5550LF

FOR P/N: 61127-5500/5500LF

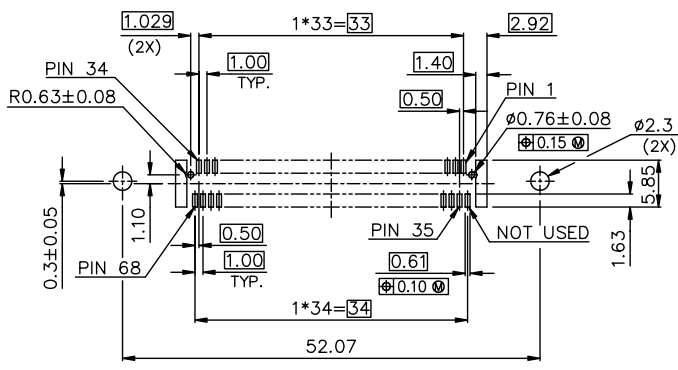


(RECOMMENDED PCB LAYOUT FOR CONAN)



(RECOMMENDED PCB LAYOUT FOR CONAN)

FOR P/N: 61127-5022/5043/5050/5022LF/5043LF/5050LF

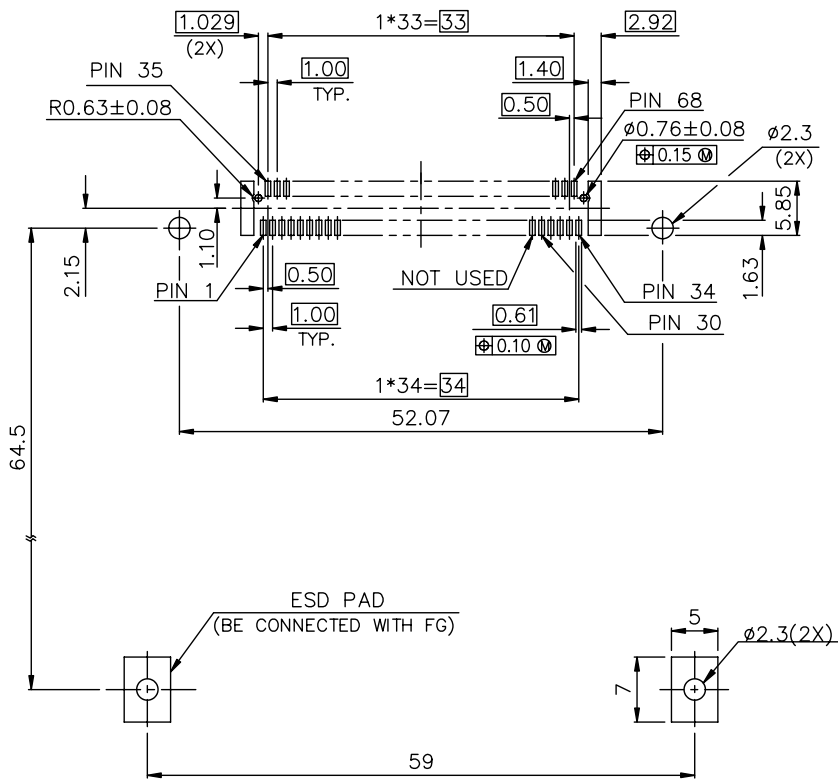



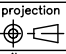
(RECOMMENDED PCB LAYOUT FOR CONAN)

mat'l code		tolerance unless otherwise specified		CUSTOMER COPY		FCI		www.fciconnect.com	
rev.	ecn no.	dr	date	linear	±0.10	projection	title 68POS. EJECTOR HEADER HEADER ASS'Y		
J				angles	± 2°		product family PWSGA code		
				dr	WENDY CHEN/05/02/00	unit	size		dwg no.
				enrg	JOSEPH HSIA/05/02/00	mm/inch	A3		61127
				chr	JOSEPH HSIA/05/02/00	scale	2:1		sheet 4 of
				appd	JOSEPH HSIA/05/02/00				
sheet index	revision sheet								

PDM: Rev:K STATUS: Released Printed: Oct 12, 2010

FOR P/N: 61127-0022V/0022VLF



mat'l code		tolerance unless otherwise specified		CUSTOMER COPY		 www.fciconnect.com	
rev.	ecn no.	dr	date	linear	±0.1	projection	title
J				angles			68POS. EJECTOR HEADER HEADER ASS'Y
				dr	WENDY CHEN 01/30/02	unit	product family
				engr	MINERVA WANG 01/30/02	mm/inch	61127
				chr	MINERVA WANG 01/30/02	scale	code
				appd	JENN TSAO 01/30/02	A3	sheet 5 of
sheet	revision						
index	sheet						

PDM: Rev:K STATUS: Released Printed: Oct 12, 2010

All rights strictly reserved. Reproduction or issue to third parties in any form or by any means, electronic or mechanical, including photocopying, recording, or by any information storage and retrieval system, is prohibited without written authority from the proprietor. Copyright © BERG ELECTRONICS BV.