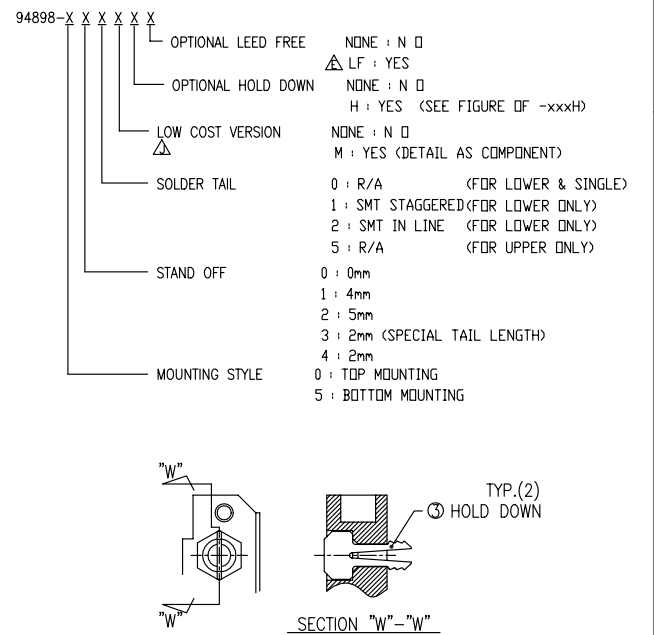


FCI CONFIDENTIAL
 This document is the property of and embodies CONFIDENTIAL and PROPRIETARY information of FCI. No part of the information shown on this document may be used in any way or disclosed to others without the written consent of FCI.
 Copyright © FCI

PRODUCT NO. 94898

PRODUCT NO. 94898-XXXX	STAND OFF (mm)	SOLDER TAIL (mm)	DIM "P" (mm)	DIM "Q" (mm)	FOR LOWER DECK OR UPPER DECK	HOLD DOWN	SHEET NO.	MOUNTING STYLE TO PCB		
000	0	R/A	2.8	---	LOWER	NONE	NO.2	TOP MOUNT 94898-0XXX		
000LF	0	R/A	2.8	---	LOWER	NONE				
000MLF	0	R/A	2.8	---	LOWER	NONE				
000H	0	R/A	2.8	---	LOWER	YES				
000HLF	0	R/A	2.8	---	LOWER	YES				
001	0	SMT STAGGERED	---	---	LOWER	NONE				
001LF	0	SMT STAGGERED	---	---	LOWER	NONE				
001H	0	SMT STAGGERED	---	---	LOWER	YES				
001HLF	0	SMT STAGGERED	---	---	LOWER	YES				
002	0	SMT IN LINE	---	---	LOWER	NONE				
002LF	0	SMT IN LINE	---	---	LOWER	NONE				
002H	0	SMT IN LINE	---	---	LOWER	YES				
002HLF	0	SMT IN LINE	---	---	LOWER	YES				
010	4	R/A	2.8	---	LOWER	NONE	NO.3	BLACK COLOR 94898-1XXX		
010LF	4	R/A	2.8	---	LOWER	NONE				
020	5	R/A	2.8	---	LOWER	NONE				
020LF	5	R/A	2.8	---	LOWER	NONE				
020MLF	5	R/A	2.8	---	LOWER	NONE				
021MLF	5	R/A	2.8	---	LOWER	NONE				
040	2	R/A	2.5	---	LOWER	NONE				
040MLF	2	R/A	2.5	---	LOWER	NONE				
040LF	2	R/A	2.5	---	LOWER	NONE				
005	FDR 0	R/A	2.8	8.6	UPPER	NONE			NO.4	94898-2XXX
005LF	FDR 0	R/A	2.8	8.6	UPPER	NONE				
045	FDR 2	R/A	2.5	10.3	UPPER	NONE				
045MLF	FDR 2	R/A	2.5	10.3	UPPER	NONE				
045LF	FDR 2	R/A	2.5	10.3	UPPER	NONE				
500	0	R/A	2.8	---	LOWER	NONE	NO.5	BOTTOM MOUNT 94898-5XXX		
500LF	0	R/A	2.8	---	LOWER	NONE				
500H	0	R/A	2.8	---	LOWER	YES				
500HLF	0	R/A	2.8	---	LOWER	YES				
501	0	SMT STAGGERED	---	---	LOWER	NONE				
501LF	0	SMT STAGGERED	---	---	LOWER	NONE				
501H	0	SMT STAGGERED	---	---	LOWER	YES				
501HLF	0	SMT STAGGERED	---	---	LOWER	YES				
502	0	SMT IN LINE	---	---	LOWER	NONE				
502LF	0	SMT IN LINE	---	---	LOWER	NONE				
502H	0	SMT IN LINE	---	---	LOWER	YES				
502HLF	0	SMT IN LINE	---	---	LOWER	YES				
510	4	R/A	2.8	---	LOWER	NONE	NO.6	94898-3XXX		
510LF	4	R/A	2.8	---	LOWER	NONE				
520	5	R/A	2.8	---	LOWER	NONE				
520LF	5	R/A	2.8	---	LOWER	NONE				
530	2	R/A	1.48	---	LOWER	NONE				
530LF	2	R/A	1.48	---	LOWER	NONE				
540	2	R/A	2.5	---	LOWER	NONE				
540LF	2	R/A	2.5	---	LOWER	NONE				
505	FDR 0	R/A	2.8	8.6	UPPER	NONE			NO.7	94898-4XXX
505LF	FDR 0	R/A	2.8	8.6	UPPER	NONE				
535	FDR 2	R/A	1.48	9.28	UPPER	NONE				
535LF	FDR 2	R/A	1.48	9.28	UPPER	NONE				
545	FDR 2	R/A	2.5	10.3	UPPER	NONE				
545LF	FDR 2	R/A	2.5	10.3	UPPER	NONE				



94898-xxxH
(OPTIONAL HOLD DOWN)

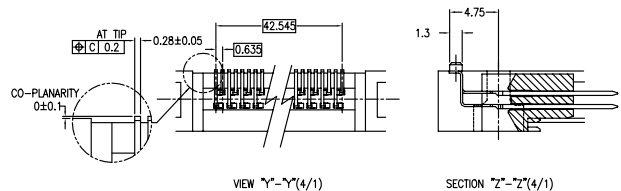
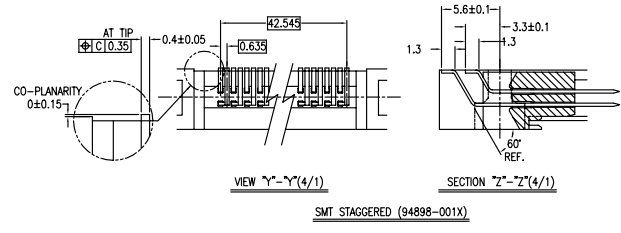
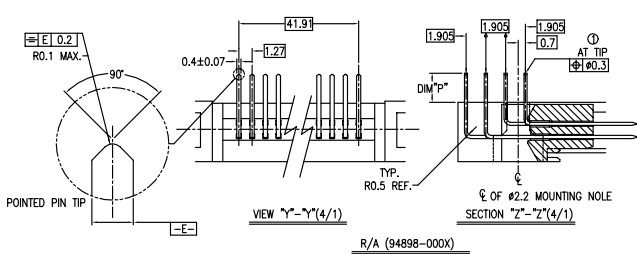
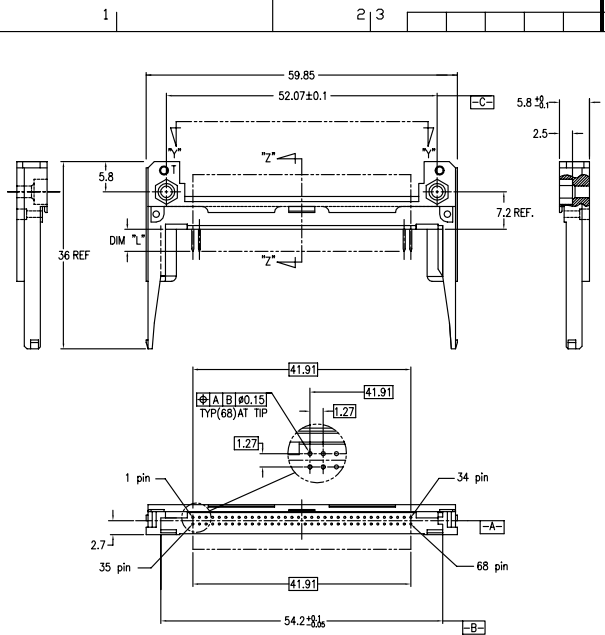
mat'l code	surface	tolerance	projection	product family
l	tr	ec	n	o
dr	date	ISO 1302	ISO 406	ISO 1101
J	N06-0065	M.Z	04/02/06	
K	N07-0219	M.Z	12/07/07	
L	N08-0041	M.Z	03/10/08	
M	N08-0219	M.Z	10/10/08	dr M.Hasegawa 1/24/09
N	N09-0045	SH	05/25/09	eng M.Hasegawa 1/24/09
chr				
appd				
sheet	revision	M	M	M
index	sheet	1	2	3
		4	5	6
		7		
tolerances unless otherwise specified angles linear scale product title 68 POS EJECTOR HEADER ASSY FOR LOW VOLTAGE dwg no 94898 sheet 1 of 7 size A4 type CUSTOMER Drawing				

FCI CONFIDENTIAL

FCI

This document is the property of and embodies CONFIDENTIAL and PROPRIETARY information of FCI. No part of the information shown on this document may be used in any way or disclosed to others without the written consent of FCI. Copyright © FCI.

PRODUCT NO.	94898-000
	94898-000LF
	94898-000H
	94898-000HLF
	94898-000MLF
	94898-001
	94898-001LF
	94898-001H
	94898-001HLF
	94898-002
	94898-002LF
	94898-002H
	94898-002HLF



- NOTES
- TRUE POSITION IS A FREE GRID TO PIN PATTERN ITSELF.
 - SEE TA-946 FOR PCB LAYOUT.
 - MATERIAL
 - HOUSING : LCP UL94V-0 BLACK.
 - PIN : PHOSPHOR BRONZE.
 - HOLD-DOWN : BRASS
 - FINISH
 - PIN UNDER PLATING : 0.5µm MIN. Ni.
 - CONTACT AREA : 0.1µm MIN. Au.
 - OVER 0.5µm MIN. Pd-Ni.
 - SOLDER AREA : 2.5µm MIN. Sn-Pb.
 - OR 2.5µm MIN. PURE Sn.(FOR -XXLF)
 - HOLD-DOWN : 2.5µm MIN. PURE Sn.
 - RECOMMENDED PCB HOLE (OPTIONAL HOLD-DOWN) : 2.3±0.1
 - SEQUENCE PIN ASSIGNMENT

DIM	
4.25±0.1	3.5±0.1
5.0±0.1	1.7±0.1
OTHERS	36.67
 - GENERAL TOLERANCE : ±0.3
 - SEE SHEET 1 REGARDING COMPONENTS.
 - IF LEAD FREE P/N, THE HOUSING WILL WITHSTAND EXPOSURE TO 260° C PEAK TEMPERATURE FOR 10 SECONDS IN A WAVE SOLDER APPLICATION WITH A 1.00MM MINIMUM THICK CIRCUIT BOARD.
 - LEAD FREE PRODUCT MEETS EUROPEAN UNION DIRECTIVES AND OTHER COUNTRY REGULATIONS AS DISCRIBLED IN GS-22-008
 - IF LEAD FREE P/N, PACKAGE MEETS GS-14-920 SPECIFICATION

mat'l. code	surface	tolerance	projection	product family
l	ISO 1302	ISO 406	ISO 1101	
tr	tolerances unless otherwise specified			title
N	angles	linear	MM	68 POS EJECTOR HEADER ASSY FOR LOW VOLTAGE
	±2'		scale	dwg no
	dir M.Hasegawa	engr M.Hasegawa		94898
	chr	appd		sheet 2 of 7
sheet	revision			size A4
index	sheet			type CUSTOMER Drawing

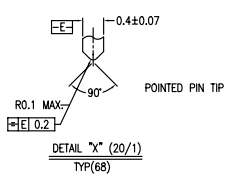
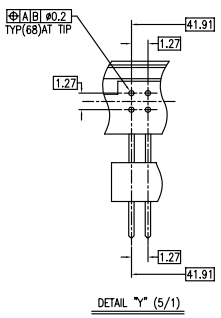
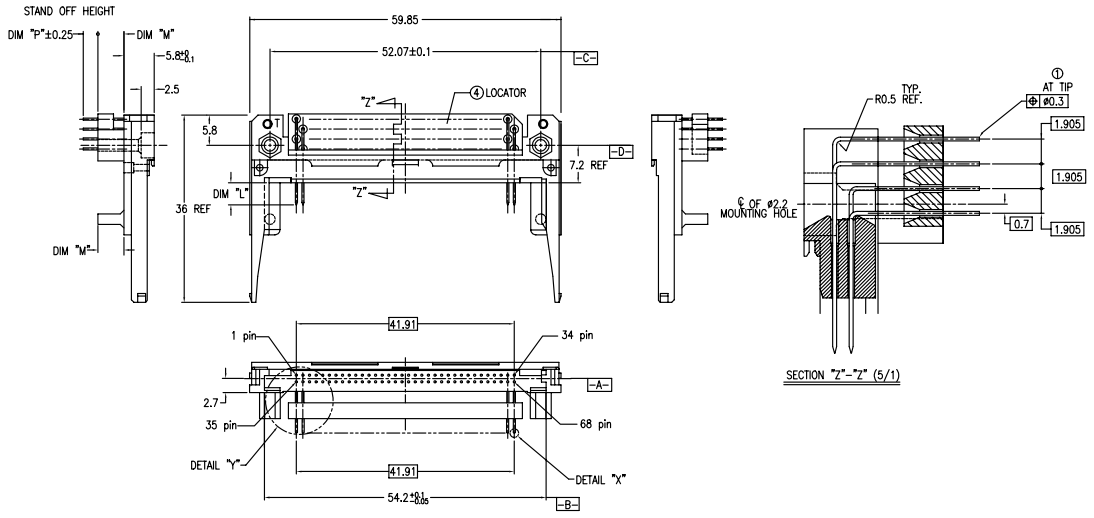
PDM Rev: N STATUS Released Printed: Oct 12, 2010 6

FCI CONFIDENTIAL

FCI

This document is the property of and embodies CONFIDENTIAL and PROPRIETARY information of FCI. No part of the information shown on this document may be used in any way or disclosed to others without the written consent of FCI. Copyright © FCI.

PRODUCT NO.	94898-010
94898-010LF	
94898-020/020M	
94898-020LF/020MLF	
94898-021MLF	
94898-040	
94898-040LF/040MLF	



1. TRUE POSITION IS A FREE GRID TO PIN PATTERN ITSELF.
2. SEE TA-946 FOR PCB LAYOUT.
3. MATERIAL
HOUSING : LCP UL94V-0 BLACK.
PIN : PHOSPHOR BRONZE.
HOLD-DOWN : BRASS
4. FINISH
PIN
UNDER PLATING : 0.5um MIN. Ni.
CONTACT AREA : 0.1um MIN. Au.
OVER 0.5um MIN. Pd-Ni.
SOLDER AREA : 2.5um MIN. Sn-Pb.
OR 2.5um MIN. PURE Sn.(FOR -XXXLF)
HOLD-DOWN : 2.5um MIN. PURE Sn.
5. RECOMMENDED PCB HOLE (OPTIONAL HOLD-DOWN) : 2.3±0.1
6. SEQUENCE PIN ASSIGNMENT

	DIM "M"
425±0.1	3.5±0.1
50±0.1	1.7±0.1
PIN No.	OTHERS
	36.67
	36.128

7. GENERAL TOLERANCE : ±0.3
8. SEE SHEET 1 REGARDING COMPONENTS.

9. IF LEAD FREE P/N, THE HOUSING WILL WITHSTAND EXPOSURE TO 260° C PEAK TEMPERATURE FOR 10 SECONDS IN A WAVE SOLDER APPLICATION WITH A 1.00MM MINIMUM THICK CIRCUIT BOARD.
10. LEAD FREE PRODUCT MEETS EUROPEAN UNION DIRECTIVES AND OTHER COUNTRY REGULATIONS AS DISCRIBLED IN GS-22-008
11. IF LEAD FREE P/N, PACKAGE MEETS GS-14-920 SPECIFICATION
12. "M" SHOWS IT IS LOW COST VERSION, IT IS OPTIONAL AND IN FIRST OF LETTER OF PART NO., SUCH AS 94898-020MLF IS LOW COST VERSION 94898-020LF IS NOT LOW COST VERSION.

mat'l. code	surface	tolerance	projection	product family
l	ISO 1302	ISO 406	ISO 1101	
tr	ecn	no	dr	date
N				
	angles	linear	MM	title
	±2'		scale	68 POS EJECTOR HEADER ASSY FOR LOW VOLTAGE
	dir	M.Hasegawa	1/14/06	dwg no
	eng	M.Hasegawa	1/14/06	94898
	chr			sheet 3 of 7
	app			size A4
sheet	revision			type CUSTOMER Drawing
index	sheet			

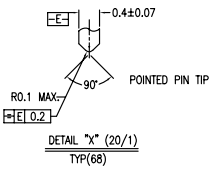
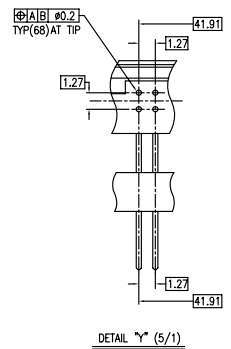
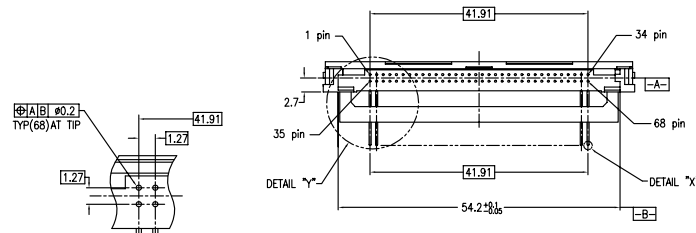
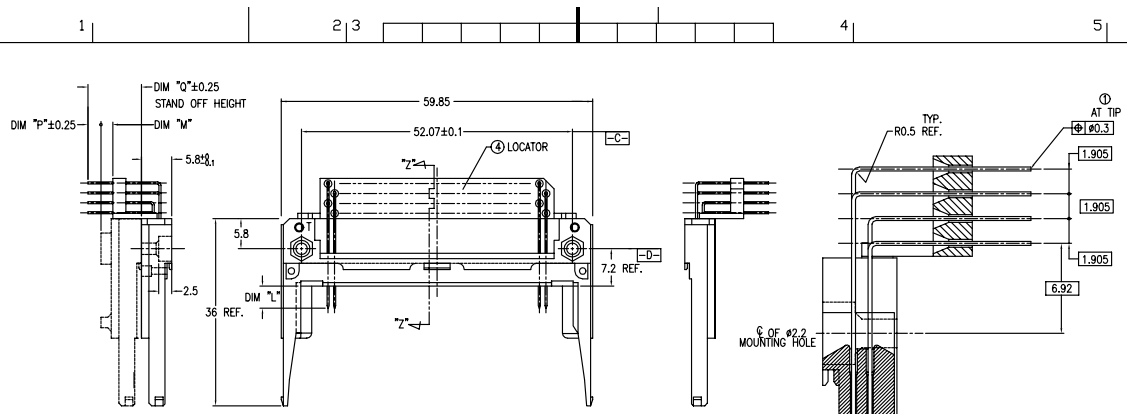
PDM Rev: N STATUS Released Printed: Oct 12, 2010 6

FCI CONFIDENTIAL

FCI

This document is the property of and embodies CONFIDENTIAL and PROPRIETARY information of FCI. No part of the information shown on this document may be used in any way or disclosed to others without the written consent of FCI. Copyright © FCI

PRODUCT NO.	94898-005
	94898-005LF
	94898-045
	94898-045LF



NOTES

- TRUE POSITION IS A FREE GRID TO PIN PATTERN ITSELF.
- SEE 1A-946 FOR PCB LAYOUT.
- MATERIAL
HOUSING : LCP UL94V-0 BLACK.
PIN : PHOSPHOR BRONZE.
HOLD-DOWN : BRASS
- FINISH
PIN
UNDER PLATING : 0.5µm MIN. Ni.
CONTACT AREA : 0.1µm MIN. Au.
OVER 0.5µm MIN. Pd-Ni.
SOLDER AREA : 2.5µm MIN. Sn-Pb.
OR 2.5µm MIN. PURE Sn.(FOR -XXXLF)
HOLD-DOWN : 2.5µm MIN. PURE Sn.
- RECOMMENDED PCB HOLE (OPTIONAL HOLD-DOWN) : 2.3±0.1
- SEQUENCE PIN ASSIGNMENT
- GENERAL TOLERANCE : ±0.3
- SEE SHEET 1 REGARDING COMPONENTS.
- IF LEAD FREE P/N, THE HOUSING WILL WITHSTAND EXPOSURE TO 260° C PEAK TEMPERATURE FOR 10 SECONDS IN A WAVE SOLDER APPLICATION WITH A 1.00MM MINIMUM THICK CIRCUIT BOARD.
- LEAD FREE PRODUCT MEETS EUROPEAN UNION DIRECTIVES AND OTHER COUNTRY REGULATIONS AS DISCRIBLED IN GS-22-008
- IF LEAD FREE P/N, PACKAGE MEETS GS-14-920 SPECIFICATION

	DIM 'L'		
	4.25±0.1	3.55±0.1	5.0±0.1
PIN No.	OTHERS	36,67	7,14,28

mat'l. code	surface	tolerance	projection	product family
	ISO 1302	ISO 406	ISO 1101	
tr/elect no	dr	date	tolerances unless otherwise specified	title
N			angles	68 POS EJECTOR HEADER ASSY FOR LOW VOLTAGE
			linear	
			±2'	scale
	dir	M.Hasegawa	1/14/98	dwg no
	engr	M.Hasegawa	1/14/98	94898
	chr			sheet 4 of 7 size
	appd			A4
sheet	revision			type CUSTOMER Drawing
index	sheet			

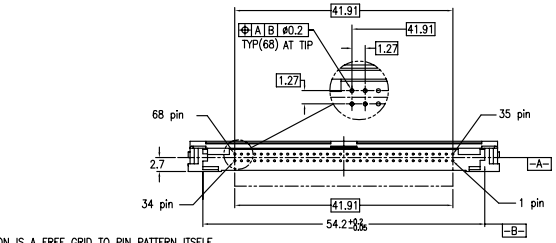
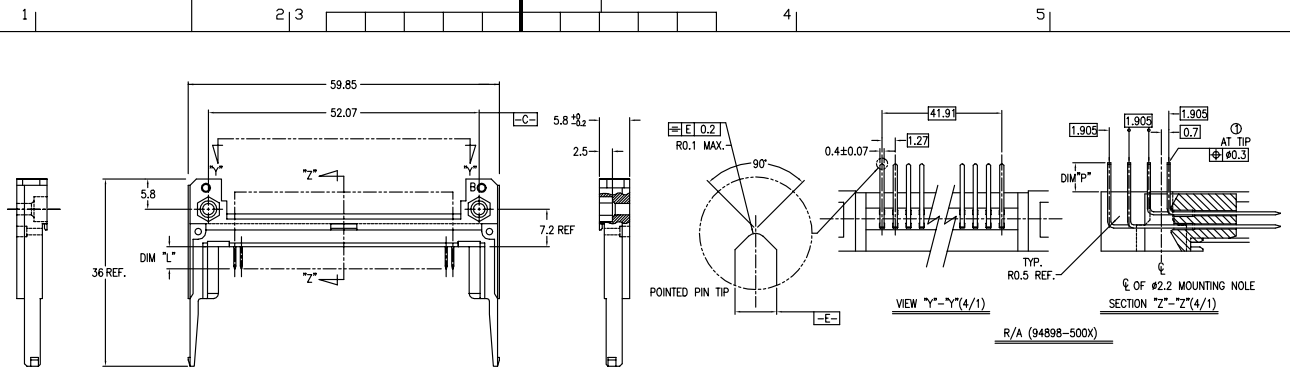
FCI CONFIDENTIAL

FCI

This document is the property of and embodies CONFIDENTIAL and PROPRIETARY information of FCI. No part of the information shown on this document may be used in any way or disclosed to others without the written consent of FCI. Copyright FCI.

PRODUCT NO.
94898-500
94898-500LF
94898-500H
94898-500HLF
94898-501
94898-501LF
94898-501H
94898-501HLF
94898-502
94898-502J
94898-502LF
94898-502H
94898-502HLF

SEE NOTE 12



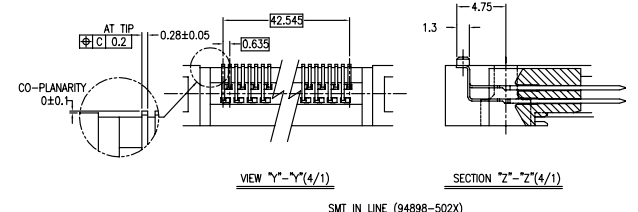
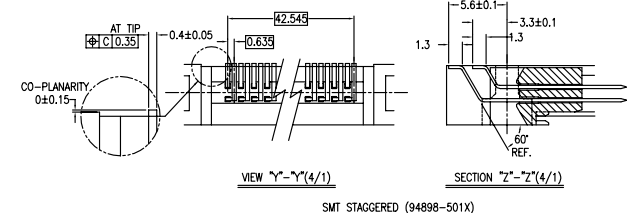
NOTES

- TRUE POSITION IS A FREE GRID TO PIN PATTERN ITSELF.
- SEE TA-946 FOR PCB LAYOUT.
- MATERIAL
 - HOUSING : LCP UL94V-0 NATURAL
 - PIN : PHOSPHOR BRONZE
 - HOLD-DOWN : BRASS
- FINISH
 - PIN
 - UNDER PLATING : 0.5µm MIN. Ni.
 - CONTACT AREA : 0.1µm MIN. Au.
 - OVER : 0.5µm MIN. Pd-Ni.
 - SOLDER AREA : 2.5µm MIN. Sn-Pb.
 - OR 2.5µm MIN. PURE Sn.(FOR -XXXLF)
 - HOLD-DOWN : 2.5µm MIN. PURE Sn.
- RECOMMENDED PCB HOLE (OPTIONAL HOLD-DOWN) : 2.3±0.1

6. SEQUENCE PIN ASSIGNMENT

PIN No.	OTHERS	0.25±0.1	3.5±0.1	5.0±0.1
		36.67	17.24	33.78

- GENERAL TOLERANCE : ±0.3
- SEE SHEET 1 REGARDING COMPONENTS.
- IF LEAD FREE P/N, THE HOUSING WILL WITHSTAND EXPOSURE TO 260° C PEAK TEMPERATURE FOR 10 SECONDS IN A WAVE SOLDER APPLICATION WITH A 1.00MM MINIMUM THICK CIRCUIT BOARD.
- LEAD FREE PRODUCT MEETS EUROPEAN UNION DIRECTIVES AND OTHER COUNTRY REGULATIONS AS DISCRIBLED IN GS-22-008
- IF LEAD FREE P/N, PACKAGE MEETS GS-14-920 SPECIFICATION
- THE P/N 94898-502J HAS SPECIAL TRAY, IT IS 10084720-001.



mat'l code	surface	tolerance	projection	product family
l	ISO 1302	ISO 406	ISO 1181	
tr	ecn	no	dr	date
N				
	angles	linear		MM
	±2'			scale
	dir	M.Hasegawa	1/24/98	
	eng	M.Hasegawa	1/24/98	
	chr			
	app			
sheet	revision			
index	sheet			

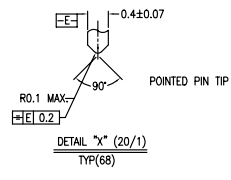
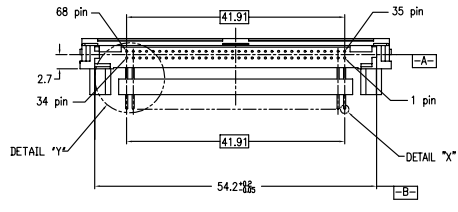
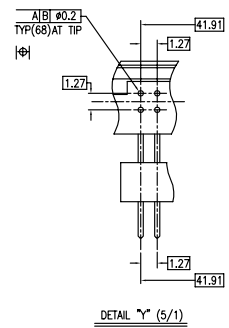
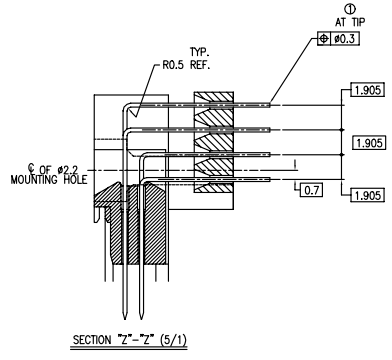
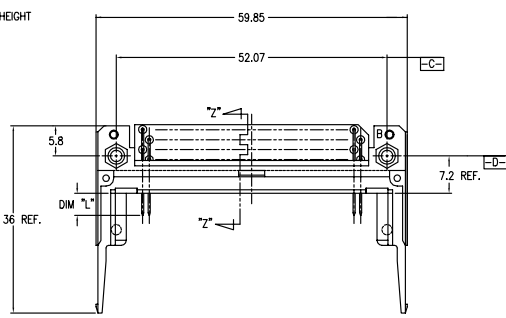
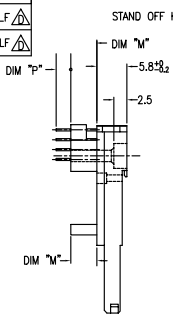
68 POS EJECTOR HEADER ASSY FOR LOW VOLTAGE
 dwg no 94898 sheet 5 of 7 size A4
 type CUSTOMER Drawing

FCI CONFIDENTIAL

FCI

This document is the property of and embodies CONFIDENTIAL and PROPRIETARY information of FCI. No part of the information shown on this document may be used in any way or disclosed to others without the written consent of FCI. Copyright © FCI

PRODUCT NO.	
94898-510	94898-510LF
94898-520	94898-520LF
94898-530	94898-530LF
94898-540	94898-540LF



NOTES

- TRUE POSITION IS A FREE GRID TO PIN PATTERN ITSELF.
- SEE TA-946 FOR PCB LAYOUT.
- MATERIAL
HOUSING : LCP UL94V-0 NATURAL
PIN : PHOSPHOR BRONZE
HOLD-DOWN : BRASS
- FINISH
PIN
UNDER PLATING : 0.5µm MIN. Ni.
CONTACT AREA : 0.1µm MIN. Au.
OR 0.5µm MIN. Pd-Ni.
SOLDER AREA : 2.5µm MIN. Sn-Pb.
OR 2.5µm MIN. PURE Sn.(FOR -XXXLF)
HOLD-DOWN : 2.5µm MIN. PURE Sn.
- RECOMMENDED PCB HOLE (OPTIONAL HOLD-DOWN) : 2.3±0.1
- SEQUENCE PIN ASSIGNMENT
- GENERAL TOLERANCE : ±0.3
- SEE SHEET 1 REGARDING COMPONENTS.
- IF LEAD FREE P/N, THE HOUSING WILL WITHSTAND EXPOSURE TO 260° C PEAK TEMPERATURE FOR 10 SECONDS IN A WAVE SOLDER APPLICATION WITH A 1.00MM MINIMUM THICK CIRCUIT BOARD.
- LEAD FREE PRODUCT MEETS EUROPEAN UNION DIRECTIVES AND OTHER COUNTRY REGULATIONS AS DISCRIBED IN GS-22-008
- IF LEAD FREE P/N, PACKAGE MEETS GS-14-920 SPECIFICATION

	DIM 'L'	
PIN No.	4.25±0.1	3.5±0.1
OTHERS	36.67	50.0±0.1

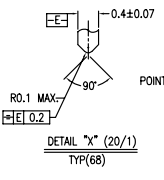
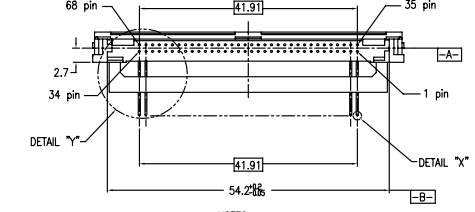
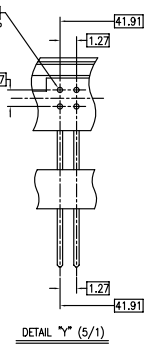
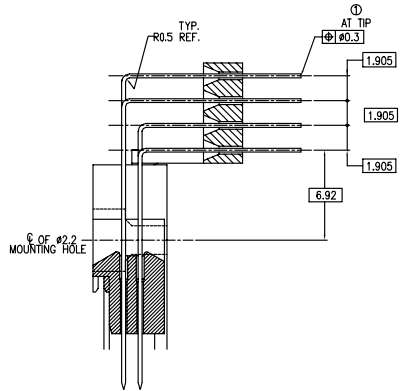
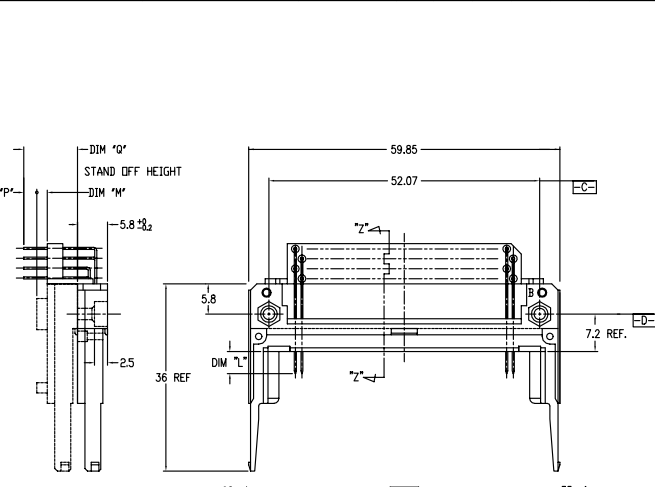
mat'l. code	surface	tolerance	projection	product family
	ISO 1302	ISO 406	ISO 1101	
tr	ec	no	dr	date
	angles	linear	±2'	MM
	dir	M.Hasegawa	1/14/06	
	eng	M.Hasegawa	1/14/06	
	chr			
	app			
sheet	revision			
index	sheet			
				title
				68 POS EJECTOR HEADER ASSY FOR LOW VOLTAGE
		dwg no	sheet	of 7 size
		94898	6	A4
		type	CUSTOMER	Drawing

FCI CONFIDENTIAL

FCI

This document is the property of and embodies CONFIDENTIAL and PROPRIETARY information of FCI. No part of the information shown on this document may be used in any way or disclosed to others without the written consent of FCI. Copyright © FCI.

PRODUCT NO.	94898-505
	94898-505LF
	94898-535
	94898-535LF
	94898-545
	94898-545LF



- NOTES
- TRUE POSITION IS A FREE GRID TO PIN PATTERN ITSELF.
 - SEE TA-946 FOR PCB LAYOUT.
 - MATERIAL
 - HOUSING : LCP UL94V-0 NATURAL.
 - PIN : PHOSPHOR BRONZE.
 - HOLD-DOWN : BRASS
 - FINISH
 - PIN UNDER PLATING : 0.5µm MIN. Ni.
 - CONTACT AREA : 0.1µm MIN. Au.
 - OVER 0.5µm MIN. Pd-Ni.
 - SOLDER AREA : 2.5µm MIN. Sn-Pb.
 - OR 2.5µm MIN. PURE Sn.(FOR -XXLF)
 - HOLD-DOWN : 2.5µm MIN. PURE Sn.
 - RECOMMENDED PCB HOLE (OPTIONAL HOLD-DOWN) : 2.34±0.1
 - SEQUENCE PIN ASSIGNMENT
- | | DIM 'M' | | |
|---------|----------|---------|----------|
| | 4.28±0.1 | 3.5±0.1 | 5.0±0.1 |
| PIN No. | OTHERS | 36.67 | 17.54 |
| | | | 38.51.88 |
- GENERAL TOLERANCE : ±0.3
 - SEE SHEET 1 REGARDING COMPONENTS.
 - IF LEAD FREE P/N, THE HOUSING WILL WITHSTAND EXPOSURE TO 260° C PEAK TEMPERATURE FOR 10 SECONDS IN A WAVE SOLDER APPLICATION WITH A 1.00MM MINIMUM THICK CIRCUIT BOARD.
 - LEAD FREE PRODUCT MEETS EUROPEAN UNION DIRECTIVES AND OTHER COUNTRY REGULATIONS AS DESCRIBED IN GS-22-008
 - IF LEAD FREE P/N, PACKAGE MEETS GS-14-920 SPECIFICATION

mat'l. code	surface	tolerance	projection	product family
tr	ISO 1302	ISO 406	ISO 1101	
ec	tolerances unless otherwise specified			title
n	angles	linear	MM	68 POS EJECTOR HEADER ASSY FOR LOW VOLTAGE
	±2'		scale	dwg no
	dr M.Hasegawa	chr M.Hasegawa		94898
	app			sheet 7 of 7 size
sheet	revision			A4
index	sheet			type CUSTOMER Drawing