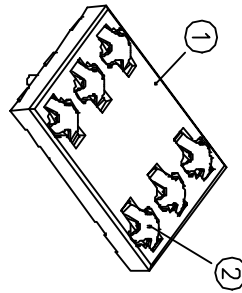
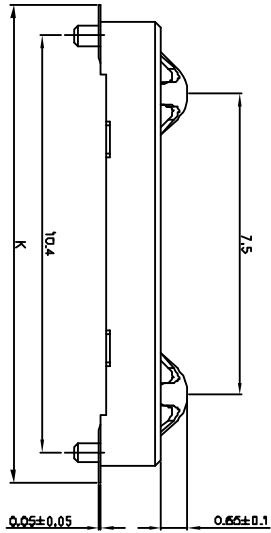
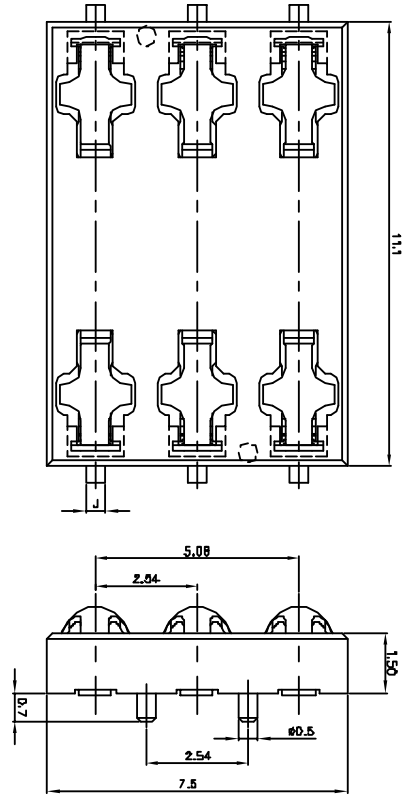
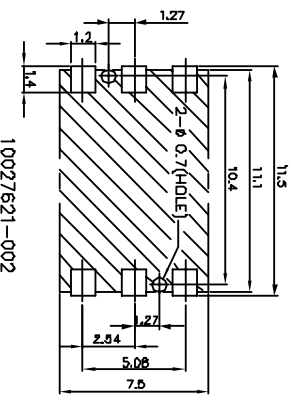
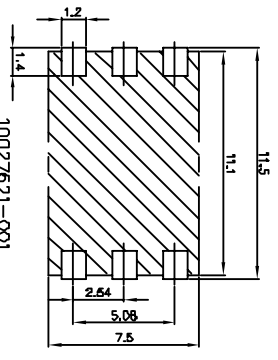
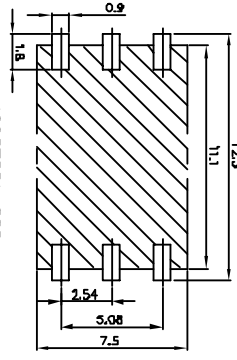


PROGRAMM  
SEE TABLE



- NOTES: MATERIAL & FINISH
- INSULATOR: THERMOPLASTIC GLASS FIBER REINFORCED. UL84V-0  
COLOR: BLACK
  - CONTACTS: COPPER ALLOY;  
PLATING: THE CONTACTING AREA IS PLATED WITH 30µ" GOLD SELECTIVE. THE SOLDER AREA IS PLATED WITH GOLD FLASH UNDER LAYER IS PLATED WITH 50µ" NICKEL.
  - RoHS COMPATIBLE PRODUCT SPECIFICATIONS
    - PLATING: "LF" MEANS THE PRODUCT IS LEAD FREE. GOLD FLASH PLATING OVER 1.27µm MIN. NICKEL UNDERPLATE ON SOLDER AREA.
    - MANUFACTURING PROCESS COMPATIBILITY: THE HOUSING WILL WITHSTAND EXPOSURE TO 260°C ±5°C SOLDER BATH TEMPERATURE FOR 10 SECONDS IN IR-REFLOW APPLICATION.



ITEM	PART NAME	QTY	MATERIAL	DIM: J	DIM: K
10027621-001LF					
D TYPE					
NON-POST					
10027621-002LF					
E TYPE					
W/POST					
10027621-003LF					
F TYPE					
NON-POST					
ITEM	PART NAME	QTY	MATERIAL	DIM: J	DIM: K
1	HOUSING	1	L.C.P-4-30% G.F.	0.80	11.1
2	CONTACT	B	PHOSPHOR BRONZE		
ITEM	PART NAME	QTY	MATERIAL	DIM: J	DIM: K
1	HOUSING	1	L.C.P-4-30% G.F.	0.80	11.1
2	CONTACT	B	PHOSPHOR BRONZE		
ITEM	PART NAME	QTY	MATERIAL	DIM: J	DIM: K
1	HOUSING	1	L.C.P-4-30% G.F.	0.50	11.9
2	CONTACT	B	PHOSPHOR BRONZE		

mat'l. code	tolerances unless otherwise specified	CUSTOMER COPY	title	product family	code
l/c	ecm no	dr	date		
A	T03-0175	J/H	4/18/03	linear	.XX ±.25
B	T05-0280	J/H	2/12/05	angles	° .XX ±.10
		dr		engr	JASDN HSU 4/18/03
		ch/r		ch/r	JASDN HSU 4/18/03
		chppd		STERLING LIN	4/18/03
sheet	revision			scale	N/A
index	sheet	1		product no	10027621
				size	1.5MM HEIGHT
				sheet	1 of 1

ALAD

code code  
22526