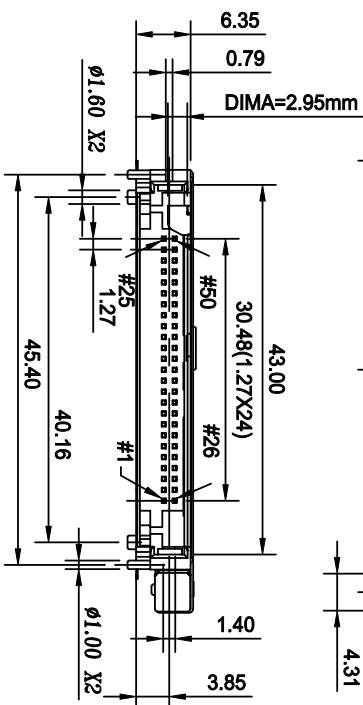
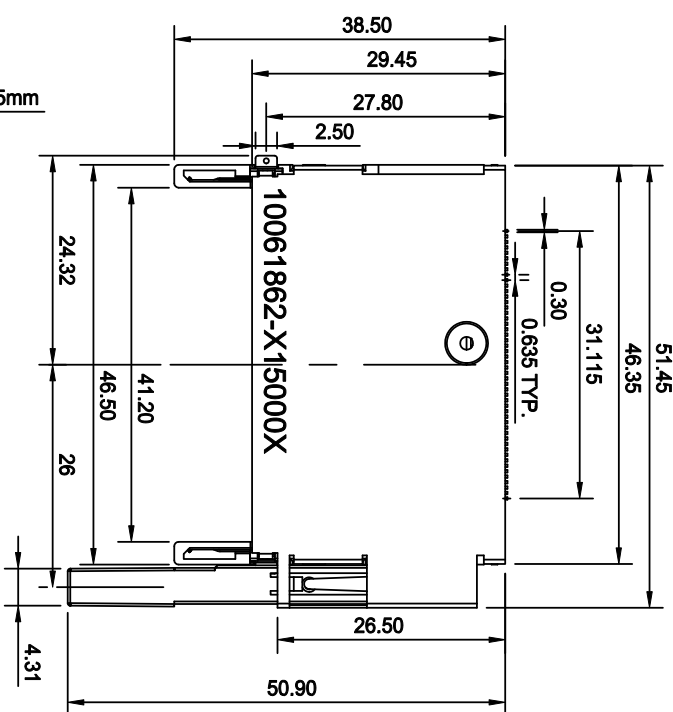




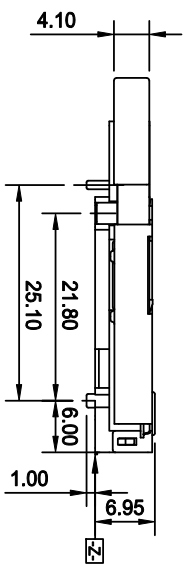
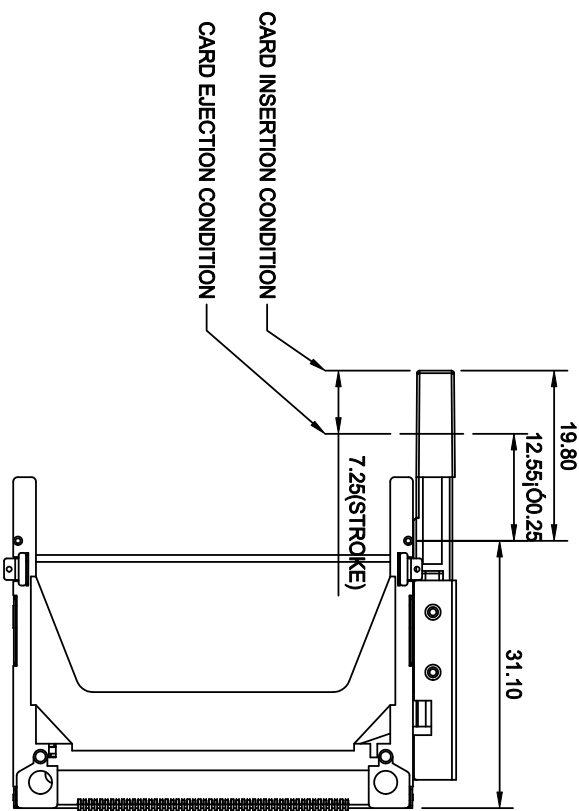
1 | 2



PIN NUMBER	DIM. L(PIN LENGTH)
25, 26	3.50
ALL OTHER PINS	4.25
1,13,38,50	5.00

1 | 2

3 |



mat'l. code		tolerances unless otherwise specified		CUSTOMER COPY		FCI	
ltr	ecn no.	dr	date	linear	projection	title	www.fciconnect.com
A	T06-0258	A.C.	11/21/05	.XX ± 0.20	MM	CF ASS'Y,BELOW MOUNT	
B	T06-0038	A.C.	3/03/06	.XXX ± 0.10	MM	LEFT PUSH, S/O=0mm	
C	T06-1174	S.LIN	10/12/08	0° ±2°	MM		
sheet		revision	C	C	C	product family	code
index		sheet	1	2	3	CF	TWN
						10061862	1 of 4

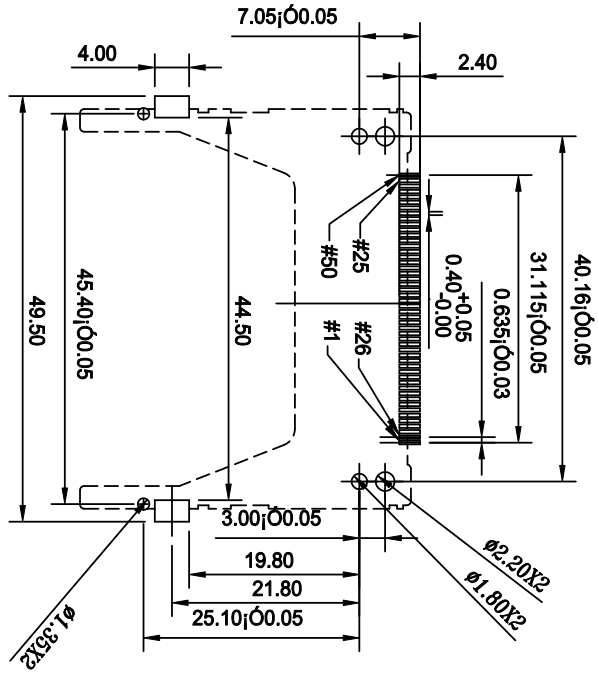
ACAD

3 |

code code

4

4



Recommended PCB Pattern

1 | 2

1 | 2

3 |

4

mat'l. code		tolerances unless otherwise specified		CUSTOMER COPY		FCI	
l/r	ecn no.	dr	date	linear	projection	title	www.fciconnect.com
A	T06-0258	A.C.	11/21/05	.X ± 0.30	MM	CF ASS'Y,BELOW MOUNT	
B	T06-0038	A.C.	3/03/06	.XXX ± 0.10	NA	LEFT PUSH, S/O=0mm	
C	T08-1174	S.LIN	10/12/08	0° ±2°	MM		
sheet index		revision	sheet	dr	engr	product family	code
		C	1	Allen Chang	11/03/05	CF	TWN
		C	2	STERLING LIN	11/03/05		sheet
		C	3	H.C. LIU	11/03/05		3 of 4

ACAD

3 |

4



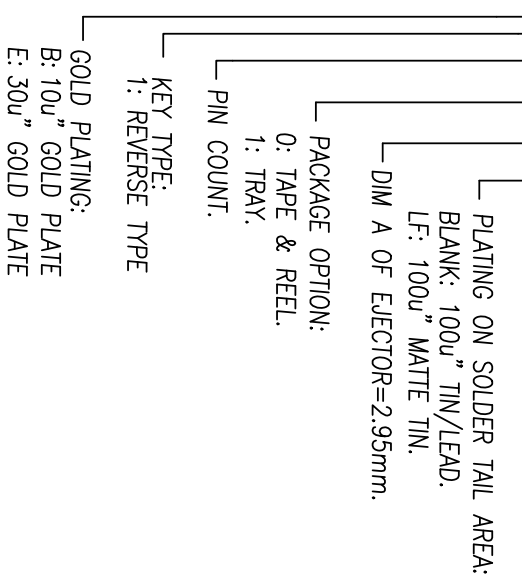
1 | 2

NOTES :

1. THIS IS THE ASSEMBLY TYPE WHICH INCLUDES HEADER 10053868-E1501 AND EJECTOR 10053869-0050LF.
2. MATERIAL :
 INSULATOR : HIGH TEMPERATURE THERMOPLASTIC
 FLAMMABILITY RATING: UL94V-0
 COLOR: IVORY
- CONTACT : COPPER ALLOY
 GROUND MOUNTING EAR: COPPER ALLOY
 COVER: STAINLESS STEEL.
 ARM: STAINLESS STEEL.
 PUSH ROD : HIGH TEMPERATURE THERMOPLASTIC
 FLAMMABILITY RATING: UL94V-0
 COLOR: BLACK.
- RIVET : COPPER ALLOY
3. PLATING :
 CONTACT AREA: SELECTIVE GOLD (SEE PIN DESCRIPTION)
 UNDER PLATING: 50u" NICKEL OVERALL
 SOLDER TAIL AREA: 100u" TIN/LEAD OR 100u" MATTE TIN
 GROUND MOUNT EAR AREA: 100u" TIN/LEAD OR 100u" MATTE TIN
4. SOLDERTAILS TO BE WITHIN 0.05 UPWARD
 AND 0.2 DOWNWARD FROM Z-DATUM PLACE,
 AND COPLANARITY OF SOLDER TAILS TO BE
 WITHIN 0.10mm.
5. PRODUCT SPEC: GS-12-240.
6. PACKAGING SPEC: GS-14-1040.

7.Part Number Description:

P/N: 10061862-X150 X 0 X



3 |

4

1 | 2

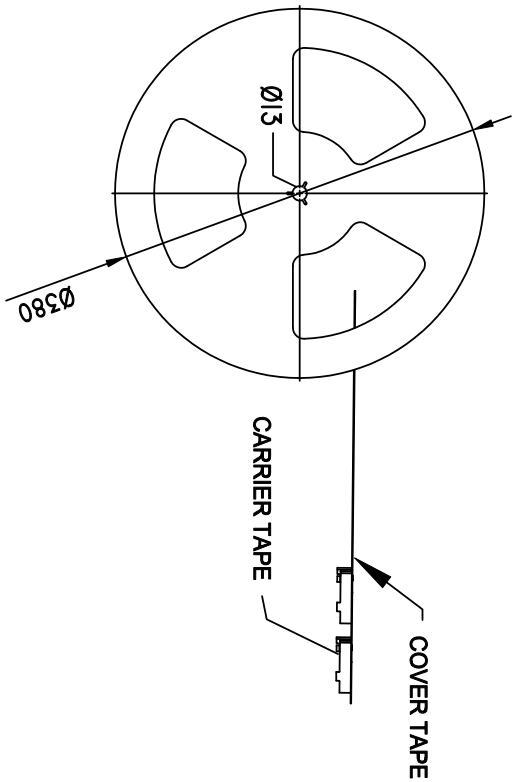
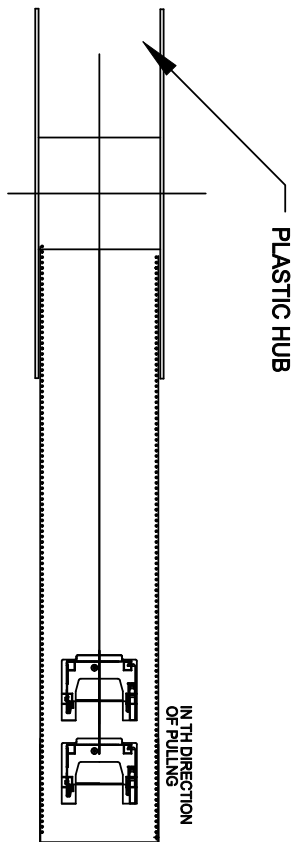
8. THIS PRODUCT (10061862-XXXXXXLF) MEETS THE EUROPEAN UNION DIRECTIVE AS DESCRIBED IN GS-22-008.
9. THIS PRODUCT (10061862-XXXXXX) MEETS THE EUROPEAN UNION DIRECTIVE AS DESCRIBED IN GS-22-008 EXCEPT FOR Pb.
10. THE HOUSING WILL WITHSTAND EXPOSURE TO 260°C PEAK TEMPERATURE FOR 10 SECONDS IN A CONVECTION, IR OR VAPER PHASE REFLOW OVEN.
11. THE PRODUCTS WHERE THE PART NUMBER ENDS IN "LF" MEET THE CRITERIA SHOWN IN THE NOTES 8 AND 10.

mat'l. code	ecn no.	dr	date	tolerances unless otherwise specified	CUSTOMER COPY	projection	title	product family	code
A	106-0268	A.C.	11/21/05	X ± 0.30			CF ASS'Y,BELOW MOUNT	CF	TWIN
B	106-0038	A.C.	3/03/06	.XX ± 0.20			LEFT PUSH, S/O=0mm		sheet
C	108-1174	S.LIN	10/12/08	.XXX ± 0.10					2 of 4
				0° ±2°					
sheet index	revision	C	C	C	C	C			
	sheet	1	2	3					

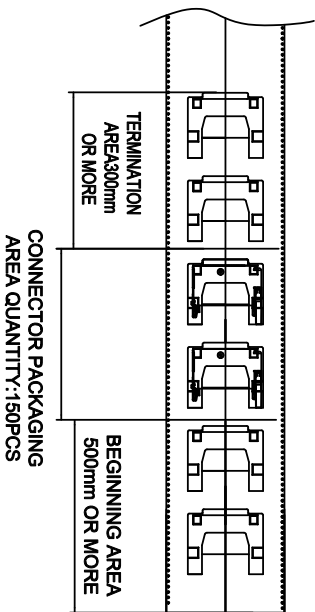
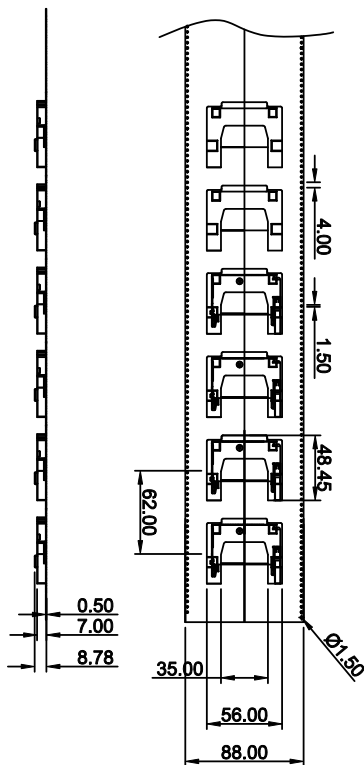
ACAD

3 |

4



- NOTES:
 1. CARRIER TAPE: PS T=0.4MM
 2. COVER TAPE: PE
 3. PLASTIC HUB: PS



COMPOSITION OF PACKAGING

mat'l. code	ecn no.	dr	date	tolerances unless otherwise specified	CUSTOMER COPY	title	code
A	T06-0258	A.C.	11/21/05	.X ± 0.30		CF ASS'Y,BELOW MOUNT	
B	T06-0038	A.C.	3/03/06	.XX ± 0.20		LEFT PUSH, S/O=0mm	
C	T08-1174	S.LIN	10/12/08	.XXX ± 0.10			
				0° ±2°			
		dr	ALLEN CHANG	11/03/05	MM	product family	CF
		chr	STERLING LIN	11/03/05	scale	size dwg no	10061862
		appr	H.C LIU	11/03/05			
sheet	revision						
index	sheet						

ACAD

1 | 2

3

4

1 | 2

3

4