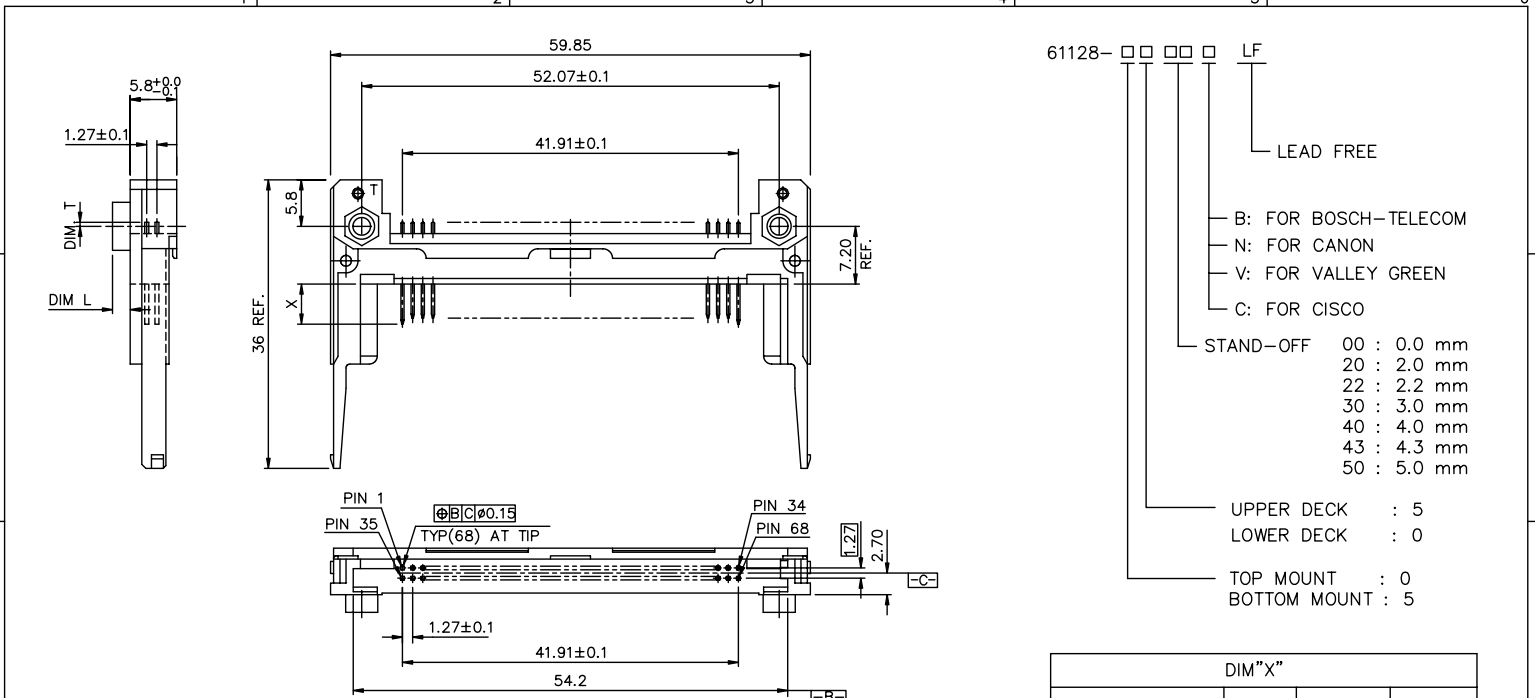


Tous droits strictement réservés. Reproduction ou communication o des tiers int  
 propriété de BERG ELECTRONICS. Toute réimpression sans autorisation écrite du propriétaire.  
 Droits de reproduction BERG ELECTRONICS by

All rights strictly reserved. Reproduction or issue to third parties in any for  
 measure is not permitted without written authority from the proprietor.  
 Copyright BERG ELECTRONICS by



PRODUCT NO	DIM. L	DIM. T ±0.10
61128-0543C/0543CLF	0.0	7.5
61128-0050C/0050CLF	5.0	0.6
61128-0043C/0043CLF	4.3	0.6
61128-0022C/0022CLF	2.2	0.6
61128-0022B/0022BLF	2.2	0.6
61128-0022/0022LF	2.2	0.6
61128-0543/0543LF	0.0	7.5
61128-0500/0500LF	0.0	10.9
61128-0100/0100LF	0.0	3.0
61128-0050N/0050NLF	5.0	0.6
61128-0040/0040LF	4.0	0.6
61128-0043/0043LF	4.3	0.6
61128-0050/0050LF	5.0	0.6
61128-0022V/0022VLF	2.2	3.0

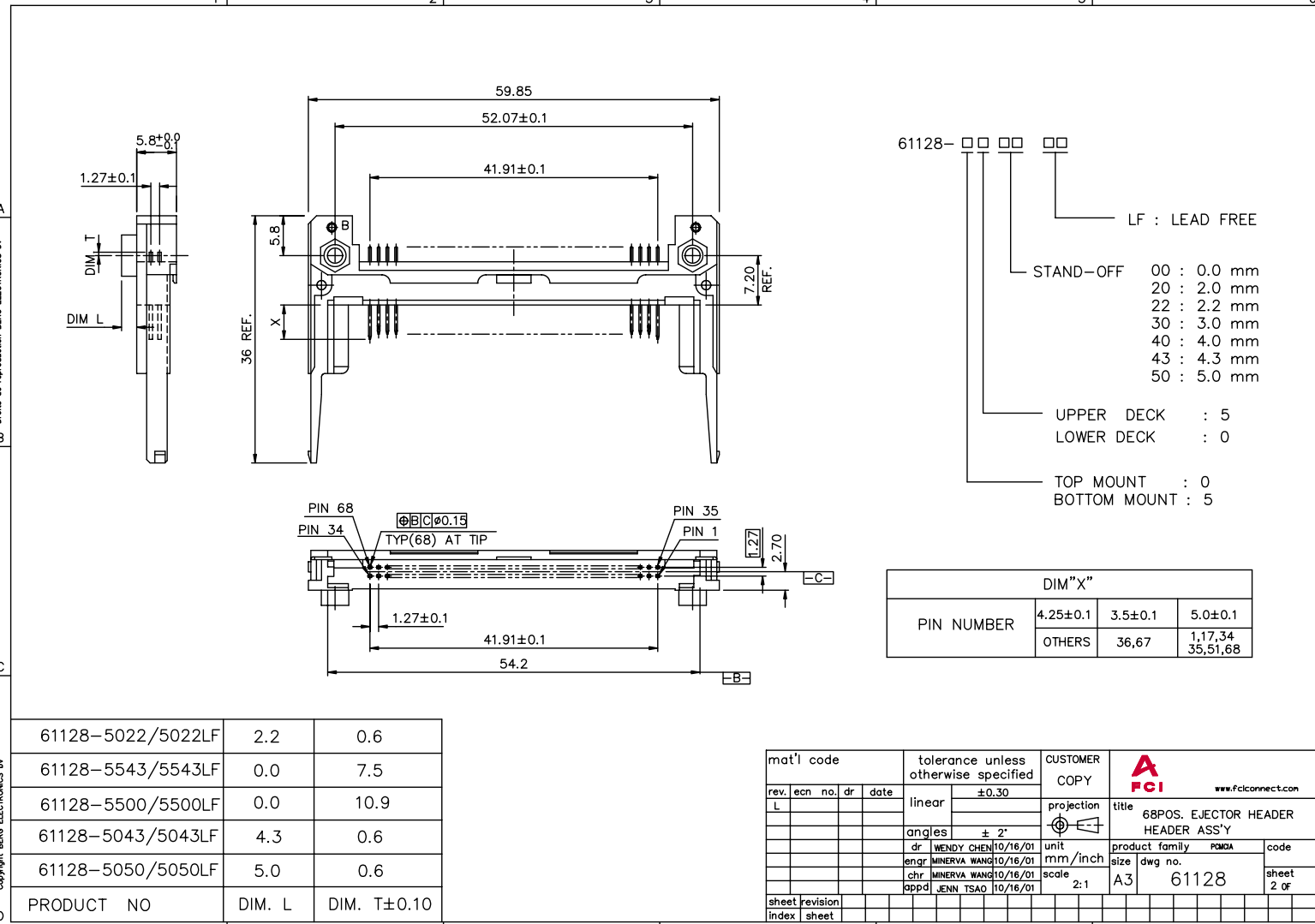
- 61128- [ ] [ ] [ ] [ ] LF
- LEAD FREE
- B: FOR BOSCH-TELECOM
  - N: FOR CANON
  - V: FOR VALLEY GREEN
  - C: FOR CISCO
- STAND-OFF
- 00 : 0.0 mm
  - 20 : 2.0 mm
  - 22 : 2.2 mm
  - 30 : 3.0 mm
  - 40 : 4.0 mm
  - 43 : 4.3 mm
  - 50 : 5.0 mm
- UPPER DECK : 5
- LOWER DECK : 0
- TOP MOUNT : 0
- BOTTOM MOUNT : 5

PIN NUMBER	DIM "X"		
		4.25±0.1	3.5±0.1
OTHERS		36,67	1,17,34 35,51,68

mat'l code		tolerance unless otherwise specified		CUSTOMER COPY		FCI		www.fciconnect.com	
rev.	ecn no.	dr	date	linear	±0.30	projection	title		
K	T03-0389	w	09/16/03				68POS. EJECTOR HEADER HEADER ASS'Y		
L	N04-0030	p	07/21/04	angles	± 2'		product family	FWGA	code
M	N05-0140	w	05/31/05	dr	WENDY CHEN	07/11/95	unit		
		enr	L.W. LU	07/11/95			mm/inch	size	dwg no.
		chr	JOSEPH HSIA	07/11/95			scale	2:1	A3
		appd	JENN TSAO	07/11/95					61128
sheet index	revision sheet	M	L						
	1	2							1 of 2

Tous droits strictement réservés. Reproduction ou communication, o des tiers int  
 proceur de BERG ELECTRONICS.  
 Droits de reproduction BERG ELECTRONICS by

All rights strictly reserved. Reproduction or issue to third parties in any for  
 measure is not permitted without written authority from the proprietor.  
 Copyright BERG ELECTRONICS by



61128- □ □ □

LF : LEAD FREE

STAND-OFF

00	: 0.0 mm
20	: 2.0 mm
22	: 2.2 mm
30	: 3.0 mm
40	: 4.0 mm
43	: 4.3 mm
50	: 5.0 mm

UPPER DECK : 5  
 LOWER DECK : 0

TOP MOUNT : 0  
 BOTTOM MOUNT : 5

DIM "X"			
PIN NUMBER	4.25±0.1	3.5±0.1	5.0±0.1
OTHERS	36,67	1,17,34	35,51,68

61128-5022/5022LF	2.2	0.6
61128-5543/5543LF	0.0	7.5
61128-5500/5500LF	0.0	10.9
61128-5043/5043LF	4.3	0.6
61128-5050/5050LF	5.0	0.6
PRODUCT NO	DIM. L	DIM. T ±0.10

mat'l code		tolerance unless otherwise specified		CUSTOMER COPY		www.fciconnect.com	
rev.	ecn no.	dr.	date	linear	±0.30	projection	title
L				angles	± 2°		68POS. EJECTOR HEADER HEADER ASS'Y
				dr.	WENDY CHEN 10/16/01	unit	product family
				engr.	MINERVA WANG 10/16/01	mm/inch	PWGMA
				chr.	MINERVA WANG 10/16/01	size	dwg no.
				appd.	JENN TSAO 10/16/01	scale	A3 61128
sheet	revision						code
index	sheet						sheet 2 of

PDW: Rev:M STATUS Released Printed: Oct 12, 2010