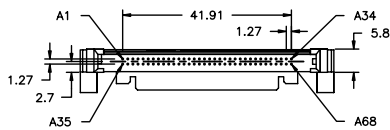
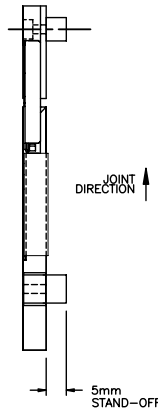
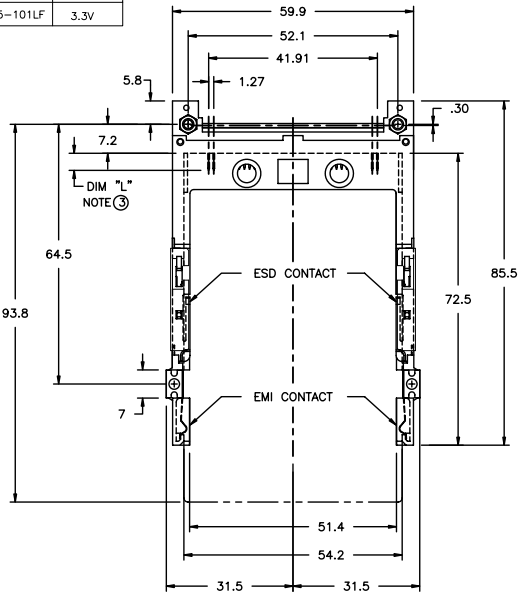


Tous droits strictement réservés. Reproduction ou communication a des tiers interdite sous quelque forme que ce soit sans autorisation écrite du propriétaire. Propriété de c FCI. Droits de reproduction FCI.

All rights strictly reserved. Reproduction or issue to third parties in any form whatever is not permitted without written authority from the proprietor. Property of FCI. Copyright FCI.

| PRODUCT NO. | NOTE |
|-------------|------|
| 72325-001 | 5.0V |
| 72325-001LF | 5.0V |
| 72325-101 | 3.3V |
| 72325-101LF | 3.3V |



NOTES:

- 1 **HEADER ASSY**
 PLASTIC: HOUSING - LCP UL94V-0 BLACK - ABOVE PCB
 PIN: PHOSPHOR BRONZE
GUIDE MECHANISM ASSY
 PLASTIC: GUIDE - POLYPHTHARAMID UL94V-0 BLACK
 COVER PLATE: STAINLESS STEEL
 EMI CONTACT: PHOSPHOR BRONZE
- 2 FINISH - PIN
 UNDER PLATING: 0.5um Ni
 CONTACT AREA: 0.1um GOLD OVER
 0.5um Pd-Ni
 SOLDER TAIL (TIN LEAD OPTION): 2.5um Sn-Pb
 SOLDER TAIL (LEAD FREE OPTION): 2.5um PURE TIN
- 3 DIM "L"

| | | |
|---------|--------|------------------|
| 4.25±.1 | 3.5±.1 | 5.0±.1 |
| OTHERS | 36,67 | 1,17,34,35,51,68 |
- 4 RECOMMENDED HOLD DOWN - 2mm SCREWS
 95121 AND 2mm NUTS 92869.
 SEE FOR CHARTED INFORMATION.
 RECOMMENDED SCREW TORQUE: 1.0 TO
 1.5 MAX in-lbs. (1.2-1.7 cm-kgs).
- 5 SEE TA-1052 FOR PCB LAYOUT.
- 6 MATING CONNECTOR: 91931-31169. MUST BE PURCHASED SEPARATELY.
- 7 IF LEAD FREE P/N, THE HOUSING WILL WITHSTAND EXPOSURE TO
 260°C PEAK TEMPERATURE FOR 10 SECONDS IN A WAVE SOLDER
 APPLICATION WITH A 1.0MM MINIMUM THICK CIRCUIT BOARD.
- 8 IF LEAD FREE P/N, THE PRODUCT MEETS EUROPEAN UNION DIRECTIVES
 AND OTHER COUNTRY REGULATIONS AS DESCRIBED IN GS-22-008
- 9 LEAD FREE P/N PACKAGING MEETS GS-14-920 SPECIFICATION

| mat'l. code | | tolerances unless otherwise specified | | CUSTOMER COPY | | Electronics FCI | | |
|-------------|----------|---------------------------------------|----------|---------------|------------|-------------------------|--------------------|--------------|
| ltr | ecn no | dr | date | linear | projection | title | www.fciconnect.com | |
| A | V61093 | RHG | 8/16/96 | | | EJECTOR HEADER ASSEMBLY | | |
| B | V61704 | RHG | 6/18/97 | | | 68 POS. SMT TYPE 123 | | |
| C | V80260 | RHG | 2/17/98 | angles | | product family | MCS | |
| D | V92135 | CGC | 11/16/99 | dr | R.GRAPE | 8/16/96 | code | |
| E | V12231 | TFG | 9/19/01 | engr | D.BRANN | 8/16/96 | size | |
| F | V05-0302 | W B | 04/21/05 | chr | D.BRANN | 8/16/96 | dwg no | |
| G | N05-0116 | W B | 04/27/05 | appd | D.BRANN | 8/16/96 | scale | |
| sheet | revision | G | G | G | G | G | 1:1 | |
| index | sheet | 1 | 2 | 3 | 4 | 5 | A4 | |
| | | | | | | | 72325 | sheet 1 of 5 |
| | | | | | | | cage code | 4 |

ACAD

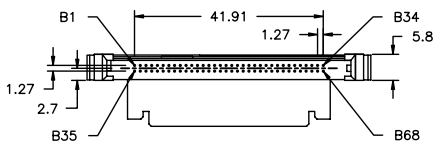
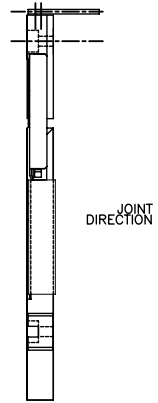
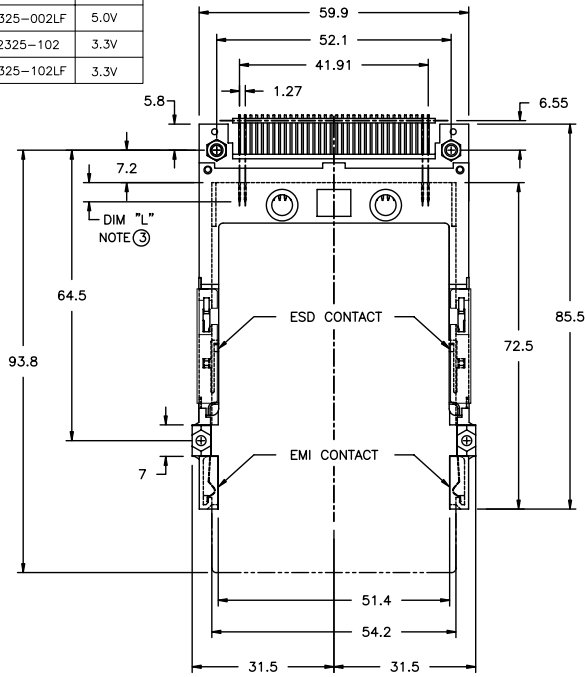
PDM: Rev:G

STATUS: Released 2.6 Printed: Oct 12, 2014

Tous droits strictement réservés. Reproduction ou communication à des tiers
interdite sous quelque forme que ce soit sans autorisation écrite du propriétaire.
Propriété de FCI. Droits de reproduction FCI.

All rights strictly reserved. Reproduction or issue to third parties in any
form whatever is not permitted without written authority from the proprietor.
Property of FCI. Copyright FCI.

| PRODUCT NO. | NOTE |
|-------------|------|
| 72325-002 | 5.0V |
| 72325-002LF | 5.0V |
| 72325-102 | 3.3V |
| 72325-102LF | 3.3V |



| mat'l. code | | tolerances unless otherwise specified | | CUSTOMER COPY | | FCI Electronics www.fciconnect.com | |
|-------------|----------|---------------------------------------|------|---------------|-----------------|---------------------------------------|-------------------------|
| ltr | ecn no | dr | date | linear | .X±.3 | projection | title |
| G | | | | | .XX±.13 | | EJECTOR HEADER ASSEMBLY |
| | | | | angles | .XXX±.051 | | 68 POS. SMT TYPE 123 |
| | | | | | 0° ±2° | product family | MCS |
| | | | | dr | R.GRAPE 8/16/96 | size | dwg no |
| | | | | enrg | D.BRANN 8/16/96 | scale | 72325 |
| | | | | chr | D.BRANN 8/16/96 | 1:1 | A4 |
| | | | | appd | D.BRANN 8/16/96 | | |
| sheet | revision | | | | | | |
| index | sheet | | | | | | |

ACAD

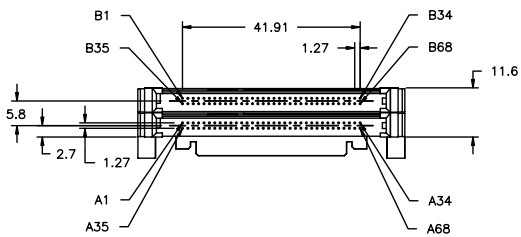
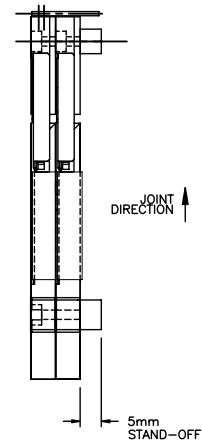
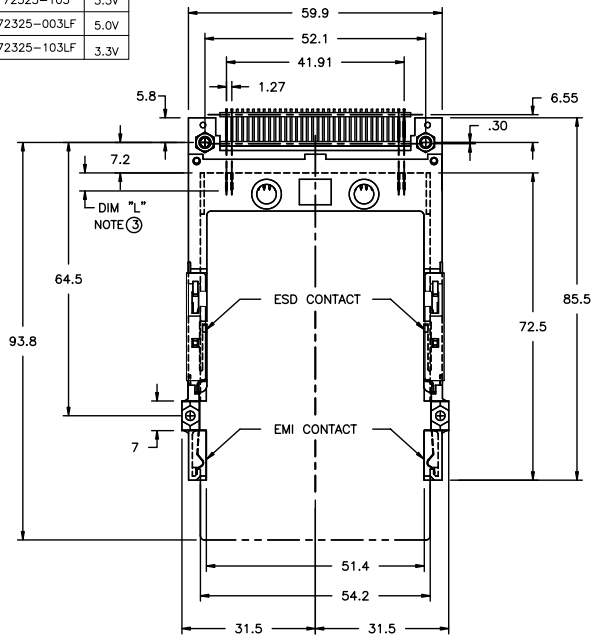
PDM: Rev:G

STATUS Released 2.6 Printed: Oct 12, 2014

Tous droits strictement réservés. Reproduction ou communication à des tiers
interdite sous quelque forme que ce soit sans autorisation écrite du propriétaire.
Propriété de FCI. Droits de reproduction FCI.

All rights strictly reserved. Reproduction or issue to third parties in any
form whatever is not permitted without written authority from the proprietor.
Property of FCI. Copyright FCI.

| PRODUCT NO. | NOTE |
|-------------|------|
| 72325-003 | 5.0V |
| 72325-103 | 3.3V |
| 72325-003LF | 5.0V |
| 72325-103LF | 3.3V |



NOTE:
TA-1052, PAGE 1, FOR PCB LAYOUT.

| mat'l. code | | | | tolerances unless otherwise specified | | CUSTOMER COPY | | Electronics FCI | |
|-------------|----------------|----|------|---------------------------------------|-----------------|---------------|-------------------------|----------------------|-------|
| ltr | ecn no | dr | date | linear | .X±.3 | projection | title | www.fciconnect.com | |
| G | | | | | .XX±.13 | | EJECTOR HEADER ASSEMBLY | | |
| | | | | angles | .XXX±.051 | | size | 68 POS. SMT TYPE 123 | |
| | | | | dr | 0° ±2' | MM | product family | MCS | code |
| | | | | engr | R.GRAPE 8/16/96 | scale | size | dwg no | sheet |
| | | | | chr | D.BRANN 8/16/96 | 1:1 | A4 | 72325 | 3 of |
| | | | | appd | D.BRANN 8/16/96 | | | | |
| sheet index | revision sheet | | | | | | cage code | | |

ACAD

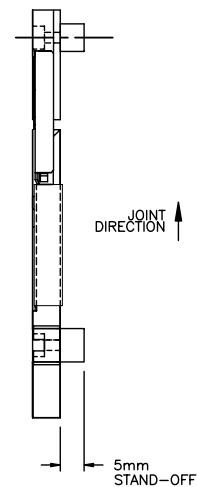
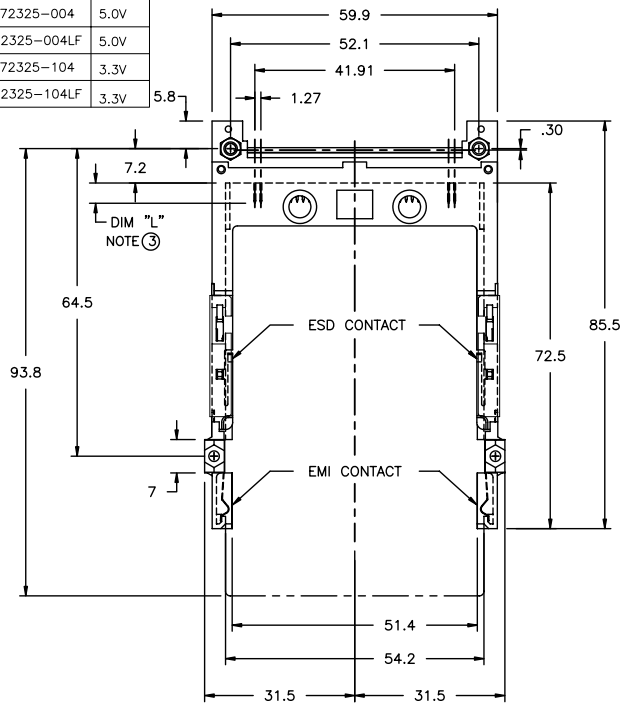
PDM: Rev:G

STATUS Released 2.6 Printed: Oct 12, 2014

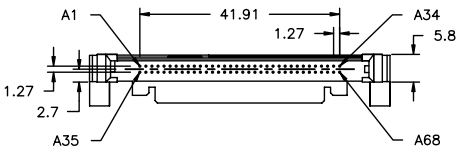
Tous droits strictement réservés. Reproduction ou communication à des tiers interdite sous quelque forme que ce soit sans autorisation écrite du propriétaire. Propriété de FCI. Droits de reproduction FCI.

All rights strictly reserved. Reproduction or issue to third parties in any form whatever is not permitted without written authority from the proprietor. Property of FCI. Copyright FCI.

| PRODUCT NO. | NOTE |
|-------------|------|
| 72325-004 | 5.0V |
| 72325-004LF | 5.0V |
| 72325-104 | 3.3V |
| 72325-104LF | 3.3V |



NOTE:
TA-1052, PAGE 3, FOR PCB LAYOUT.

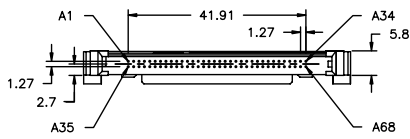
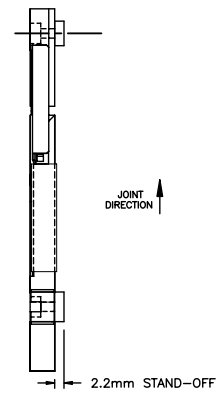
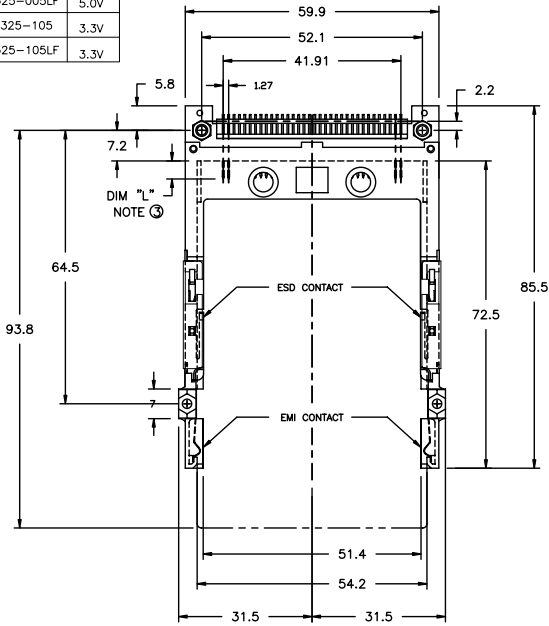


| mat'l. code | | | | tolerances unless otherwise specified | | CUSTOMER COPY | | Electronics FCI | |
|-------------|----------------|----|------|---------------------------------------|-----------------|---------------|-------------------------|----------------------|-------|
| ltr | ecn no | dr | date | linear | .X±.3 | projection | title | www.fciconnect.com | |
| g | | | | | .XX±.13 | | EJECTOR HEADER ASSEMBLY | | |
| | | | | angles | .XXX±.051 | | size | 68 POS. SMT TYPE 123 | |
| | | | | dr | 0° ±2' | MM | product family | MCS | code |
| | | | | enrg | R.GRAPE 2/17/98 | scale | size | dwg no | sheet |
| | | | | chr | D.BRANN 2/17/98 | 1:1 | A4 | 72325 | 4 of |
| | | | | appd | D.BRANN 2/17/98 | | | | |
| sheet index | revision sheet | | | | | | | cage code | 4 |

Tous droits strictement réservés. Reproduction ou communication à des tiers
interdite sous quelque forme que ce soit sans autorisation écrite du propriétaire.
Propriété de FCI. Droits de reproduction FCI.

All rights strictly reserved. Reproduction or issue to third parties in any
form whatever is not permitted without written authority from the proprietor.
Property of FCI. Copyright FCI.

| PRODUCT NO. | NOTE |
|-------------|------|
| 72325-005 | 5.0V |
| 72325-005LF | 5.0V |
| 72325-105 | 3.3V |
| 72325-105LF | 3.3V |



NOTE:
TA-1052, PAGE 3, FOR PCB LAYOUT.

| mat'l. code | | tolerances unless otherwise specified | | CUSTOMER COPY | | Electronics FCI | |
|-------------|----------------|---------------------------------------|------|---------------|--------------------|-----------------|-------------------------|
| ltr | ecn no | dr | date | linear | .X±.3 | projection | title |
| G | | | | | .XX±.13 | | EJECTOR HEADER ASSEMBLY |
| | | | | angles | .XXX±.051 | | 68 POS. SMT TYPE 123 |
| | | | | | 0° ±2' | product family | MCS |
| | | | | dr | G.CLEMENS 11/16/99 | size | dwg no |
| | | | | engr | D.BRANN 11/16/99 | scale | 72325 |
| | | | | chr | D.BRANN 11/16/99 | 1:1 | A4 |
| | | | | appd | D.BRANN 11/16/99 | | |
| sheet index | revision sheet | | | | | | sheet 5 of |

ACAD

PDM: Rev:G

STATUS Released 2.6 Printed: Oct 12, 2014