



Smart Card Contact Module, Surface Mount

Performance Characteristics

Current Rating:
Signal only

Operating Temperature:
-40°C to +90°C

Voltage Rating:
30 VAC

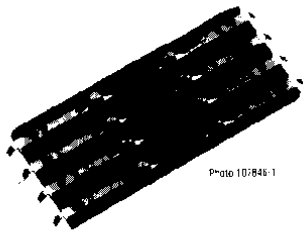
Termination Resistance:
100 milliohms max.

Insulation Resistance:
1000 megohms min.

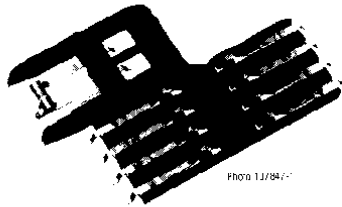
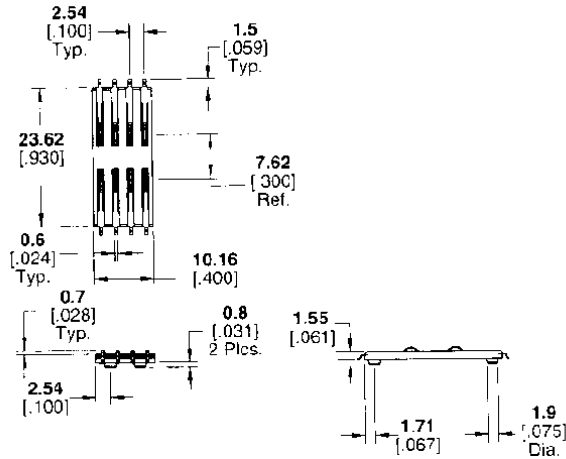
Dielectric Withstanding Voltage:
Data Contacts—500 VAC @ sea level
Switch Contacts—250 VAC @ sea level

Durability:
100,000 cycles

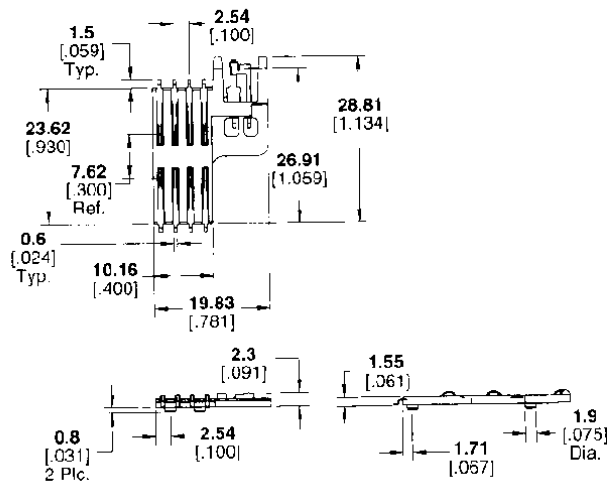
Random Vibration:
10-500 Hz, 20 minutes in each of 3 perpendicular planes



Without Card Detection Switch



With Normally Open Card Detection Switch



# of Positions	Card Detection Switch	Switch Style	Part Number
8	Normally Open	Unsealed	145323-1
8	Without	N/A	145322-1

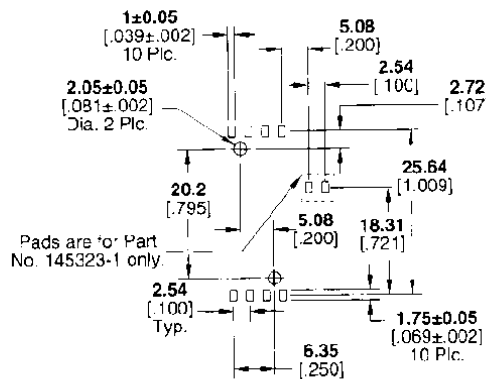
Material and Finish:

Housing - High temperature thermoplastic, black

Contacts - Phosphor bronze, plated 0.00076 [.000030] min. gold over 0.00127-0.00254 [.000050-.000100] nickel on mating areas; 0.00381-0.00635 [.000150-.000250] tin-lead over 0.00127-0.00254 [.000050-.000100] nickel on solder areas

Technical Document

Design Objectives:
108-1742



Recommended PC Board Layout