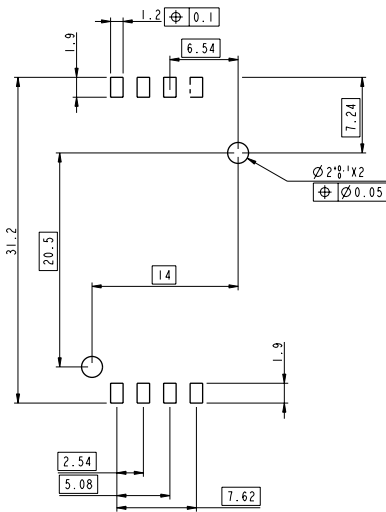


Copyright FCJ

CATALOGUE NUMBER	LF CATALOGUE NUMBER	NB CTS
7112S0815X19	7112S0815X19LF	6
7112S0825X19	7112S0825X19LF	8
7312S0815X19	7312S0815X19LF	6
7312S0825X19	7312S0825X19LF	8

www.fcconnect.com		Surface	150	1202	Tolerance std	150	400	150	1101	projection	A2	mm
Dr BERNARDET 1997/04/08		ANGULAR	0.X	0	0.X	0	0	0	0	Scale	4:1	
Eng GAMACHO 1997/04/08		LINEAR	0.XX	0	0.XX	0	0	0	0	ECN	106-0084	
Chr DIL IPTHOMAS 2006/06/21		Product family	MOBILE I/O		Spec ref							
Chr X.V. SIVADASI 2006/06/21		Product family	MOBILE I/O		Spec ref							
Rev. A	LS 2014	RCN	2002/03/20	ASST FULL COVER without SPRING 6 or 8 CTS		VRW11882						
Rev. B	105-0071	NT	2005/01/08	SIM SOB								
Rev. C	106-0084	SSC	2006/06/21	SEE TABLE								
Rev. D	-	-	-	SEE TABLE								
Rev. E	-	-	-	SEE TABLE								
Rev. F	-	-	-	SEE TABLE								



NOTES:

MECHANICAL PROPERTIES:

housing material: High Temp. Thermoplastic ,colour grey, UL94V0 rated

Contacts material: Phosphor Bronze

Plating:

Contact area: Gold over Ni on contact area
Solder area: SnPb 60/40 Bare edge allowed

For lead free plating:

Matte pure tin on solder tail in place of Tin/Lead
Bare edge allowed

Durability: 10000 mating cycles

Contacts force : 0.5N Max at maximum deflection

LEAD FREE VERSION:

"This product meets European Union Directives and other country regulations as described in GS-22-008"

The housing will withstand exposure to 260°C peak temperature for 10seconds in a convection reflow oven.

LAYOUT RECOMMENDED

Copyright FCi
FCi

www.fciconnect.com		Surface	∇	Tolerance std	projection	mm	
		150 1202		150 405 150 1101	⊕	Scale	
		TOLERANCES UNLESS OTHERWISE SPECIFIED				A2	4:1
Dr	BERNARDET	1997/04/08	ANGULAR	0.X	0		
Eng	GAMACHO	1997/04/08	LINEAR	0.XX	0		
Chr	DILIPTHOMAS	2006/06/21	∠	∠	0.XXX	ECN 106-0084	
Appr	K.V.SIVADASI	2006/06/21	Product family	MOBILE I/O	Spec ref		
FCi		ASST FULL COVER without SPRING 6 or 8 CTS	Rev.	VRW11882	C		
SIN SOB		SEE TABLE	CUSTOMER	sheet 2 of 2			