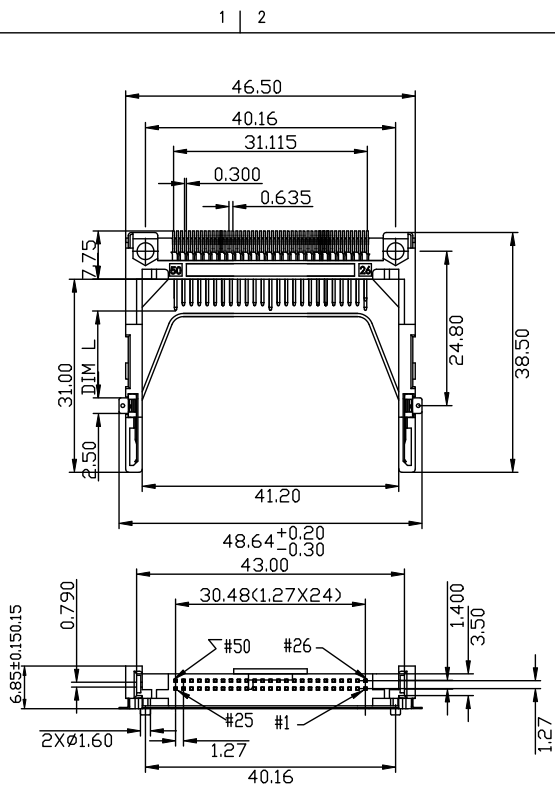


Tous droits strictement réservés. Reproduction ou communication à des tiers interdite sous quelque forme que ce soit sans autorisation écrite du propriétaire. Propriété de c FCI. Droits de reproduction FCI.

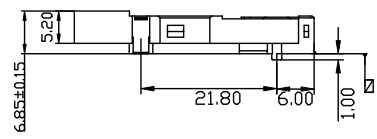


All rights strictly reserved. Reproduction or issue to third parties in any form whatever is not permitted without written authority from the proprietor. Property of FCI. Copyright FCI.



PIN NUMBER	DIM. L
25,26	3.50
ALL OTHER PINS	4.25
1, 13, 38, 50	5.00

- NOTES :
- MATERIAL :
INSULATOR : HIGH TEMPERATURE THERMOPLASTIC
FLAMMABILITY RATING: UL94V-0
COLOR: IVORY
CONTACT : COPPER ALLOY
GROUND MOUNTING EAR: COPPER ALLOY
 - PLATING :
CONTACT AREA: SELECTIVE GOLD (SEE P/N DESCRIPTION)
UNDER PLATING: 50u" NICKEL OVERALL
SOLDER TAIL AREA: 100u" TIN/LEAD OR 100u" MATTE TIN.
GROUND MOUNT EAR AREA: 100u" TIN/LEAD OR 100u" MATTE TIN.
 - SOLDER TAILS TO BE WITHIN 0.05 UPWARD AND 0.2 DOWNWARD FROM Z-DATUM PLACE, AND COPLANARITY OF SOLDER TAILS TO BE WITHIN 0.10mm.
 - PRODUCT SPEC: GS-12-240.
 - PACKAGING SPEC: GS-14-980.



mat'l. code		tolerances unless otherwise specified		CUSTOMER COPY	FCI www.fciconnect.com		
ltr	ecn no	dr	date	linear	.X ± 0.30	projection	title CF HEADER TYPE II REVERSE S/O=0.0MM
A	T04-0429	A.C.	12/16/04		.XX ± 0.20	product family CF	
B	T05-0256	A.C.	11/09/05		.XXX ± 0.10		code
C	T06-0172	A.C.	10/09/06	angles	0° ± 2°	size	TWN
D	T09-1098	S.LIN	07/09/09	dr	ALLEN CHANG 12/16/04	scale	sheet
E	T09-1114	S.LIN	09/03/09	engr	ALLEN CHANG 12/16/04	NA	1 of 2
F	T09-1144	S.LIN	11/27/09	chr	STERLING LIN 12/16/04	A4	10044079
		appd			H.C LIU 12/16/04		
sheet index	revision sheet	F	F				
		1	2				

6. Part Number Description:

P/N: 10044079-XX50XX

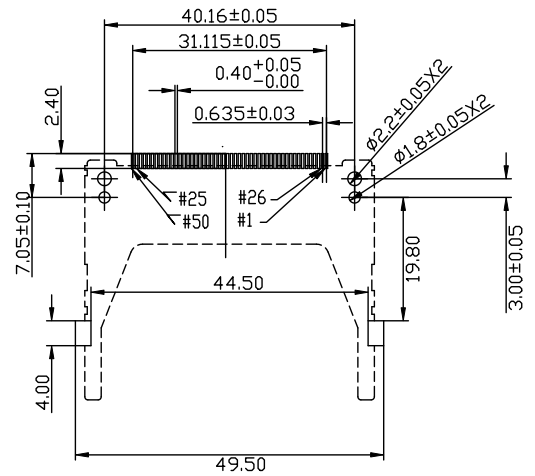
PLATING ON SOLDER TAIL AREA:
BLANK: 100u" TIN/LEAD.
LF: 100u" MATTE TIN.

BLANK: WITHOUT CAP+TRAY PACKING
2: WITH CAP+TRAY PACKING
3: WITH CAP+T&R PACKING

PIN COUNT.

KEY TYPE:
1: REVERSE TYPE

GOLD PLATING:
B: 10u" GOLD PLATE
E: 30u" GOLD PLATE



General Tolerance +/-0.05mm

Recommended PCB Pattern

7. THE HOUSING WILL WITHSTAND EXPOSURE TO 260°C PEAK TEMPERATURE FOR 10 SECONDS IN A CONVECTION, IR OR VAPER PHASE REFLOW OVEN.
8. THIS PRODUCT (10053868-XXXXLX) MEETS THE EUROPEAN UNION DIRECTIVE AS DESCRIBED IN GS-22-008.

mat'l. code				tolerances unless otherwise specified		CUSTOMER COPY		FCJ www.fciconnect.com	
ltr	ecn no	dr	date	linear	.X ± 0.30	projection	title		
F	-	-	-		.XX ± 0.20		CF HEADER TYPE II REVERSE		
				angles	.XXX ± 0.10		S/O=0.0MM		
					0° ± 2°	MM	product family	CF	code
				dr	ALLEN CHANG 12/16/04	scale	size	dwg no	TWN
				enr	ALLEN CHANG 12/16/04	NA	A4	10044079	sheet
				chr	STERLING LIN 12/16/04				2 of 2
				appd	H.C LIU 12/16/04				
sheet index	revision sheet								

A/CAD

PDM: Rev:F

3 STATUS: Released

4 cage code Printed: Dec 01, 2009