

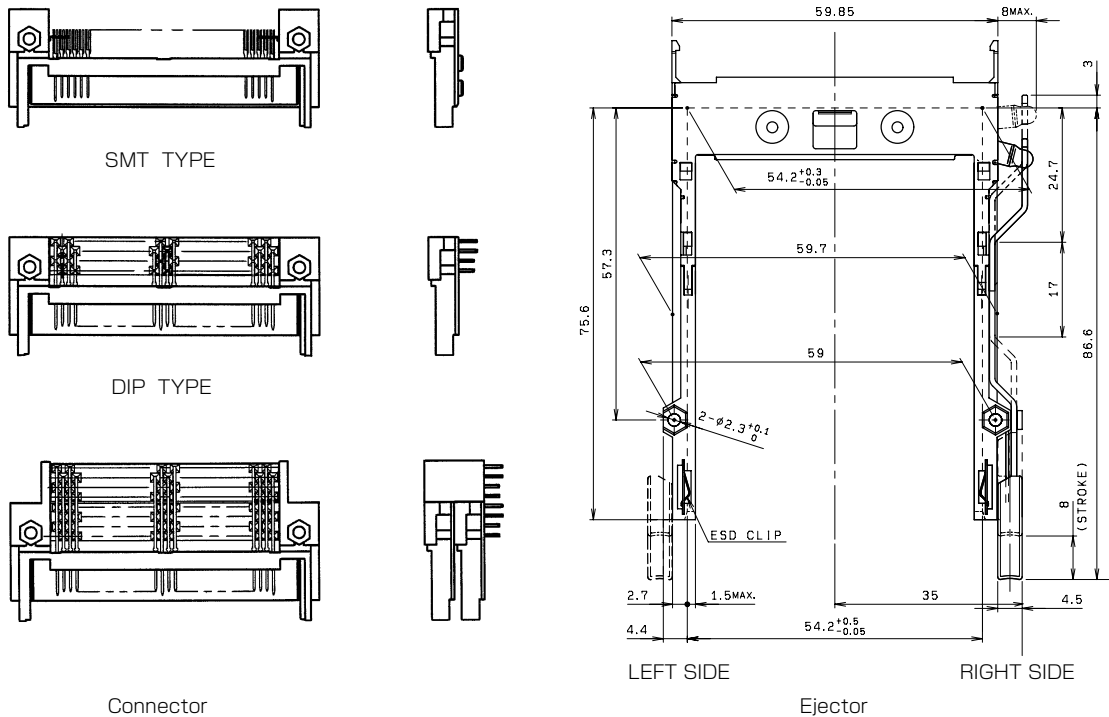
PCMCIA

Series 5025

極数 (No. of Pos.)	68, 136 (ESD端子付) (With ESD terminal)
極間隔 (Pitch)	1.27mm
定格電流 (Current)	0.5A Max.
定格電圧 (Voltage)	5V Max.
耐電圧 (D.W.Voltage)	500Vrms/min.

機器の小型化の要望に応えるスリムタイプ。
 中で最大10mmの省スペース設計、軽量化を実現しました。
 PCMCIA TYPE I、II、IIIに適合。

Slim type product which is designed to accommodate the current trend of miniaturization in the equipment.
 This series conforms to meets the requirements of Ver.4.2./PCMCIA Type I, II and III specification.



Single SMT

Stand off / KEYING	Button side	Connector	Ejector
Height=0, 5V, Normal	Left side	31 5025 068 305 871+	30 5025 000 321 000 +
	Right side	31 5025 068 305 871+	30 5025 000 322 000 +
Height=0, 5V, Reverse	Left side	31 5025 068 355 871+	30 5025 000 321 000 +
	Right side	31 5025 068 355 871+	30 5025 000 322 000 +

Single DIP

Stand off / KEYING	Button side	Connector	Ejector
Height=0, 5V, Normal	Left side	31 5025 068 100 871+	30 5025 000 321 000 +
	Right side	31 5025 068 100 871+	30 5025 000 322 000 +
Height=0, 5V, Reverse	Left side	31 5025 068 150 871+	30 5025 000 321 000 +
	Right side	31 5025 068 150 871+	30 5025 000 322 000 +

Dual DIP/DIP

Stand off / KEYING	Button side	Connector	Ejector
Height=0, 5V, Normal	Left/Left	31 5025 136 500 871+	30 5025 000 621 000 +
	Right/Right	31 5025 136 500 871+	30 5025 000 622 000 +
	Left/Right	31 5025 136 500 871+	30 5025 000 623 000 +
	Right/Left	31 5025 136 500 871+	30 5025 000 624 000 +
Height=0, 5V, Reverse	Left/Left	31 5025 136 550 871+	30 5025 000 621 000 +
	Right/Right	31 5025 136 550 871+	30 5025 000 622 000 +
	Left/Right	31 5025 136 550 871+	30 5025 000 623 000 +
	Right/Left	31 5025 136 550 871+	30 5025 000 624 000 +

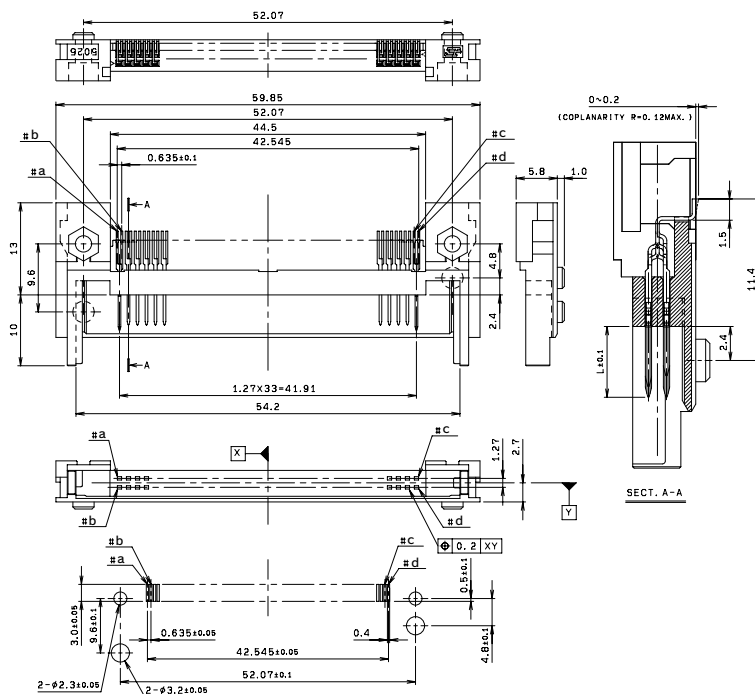
PCMCIA

SERIES

5025

SMT Single

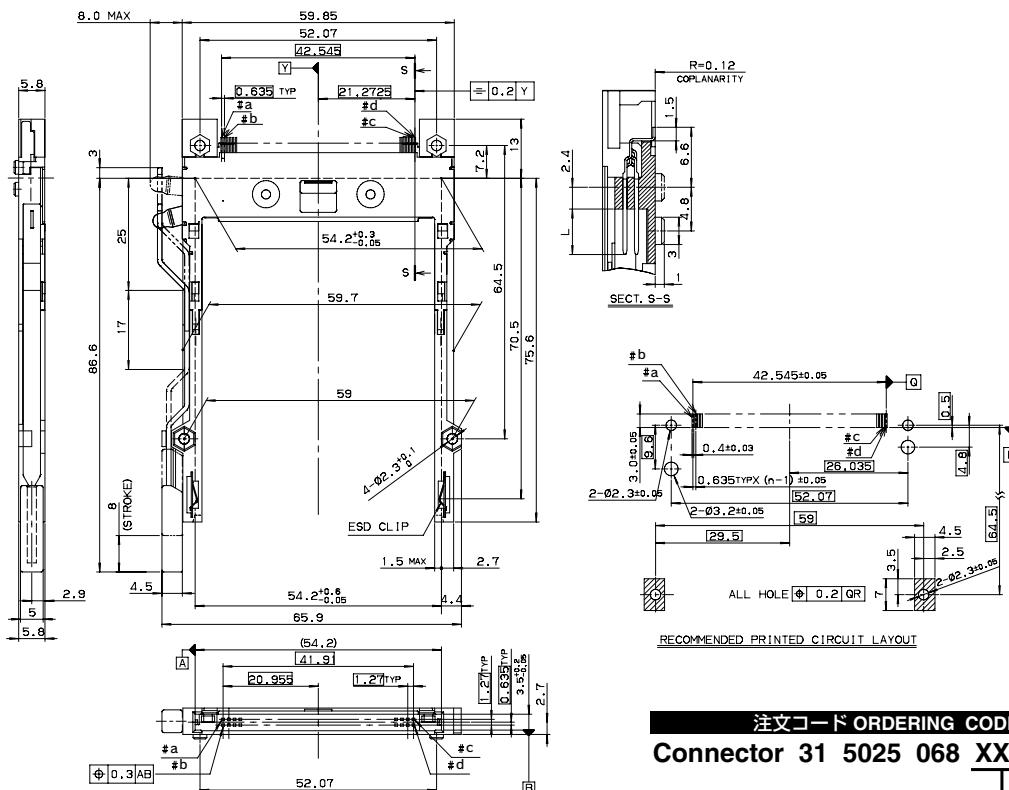
● Connector



POSITION NO.	L (mm)
1, 17, 34, 35, 51, 68	5.0
OTHER	4.25
36, 67	3.5

	Normal	Reverse
#a	1	68
#b	35	34
#c	34	35
#d	68	1

● Assembly



注文コード ORDERING CODE
Connector 31 5025 068 XXX 871 +

305 : Normal type
 355 : Reverse type

Ejector 30 5025 000 XXX 000 +

321 : Left button
 322 : Right button

RoHS 対応品
 RoHS Compliant Product

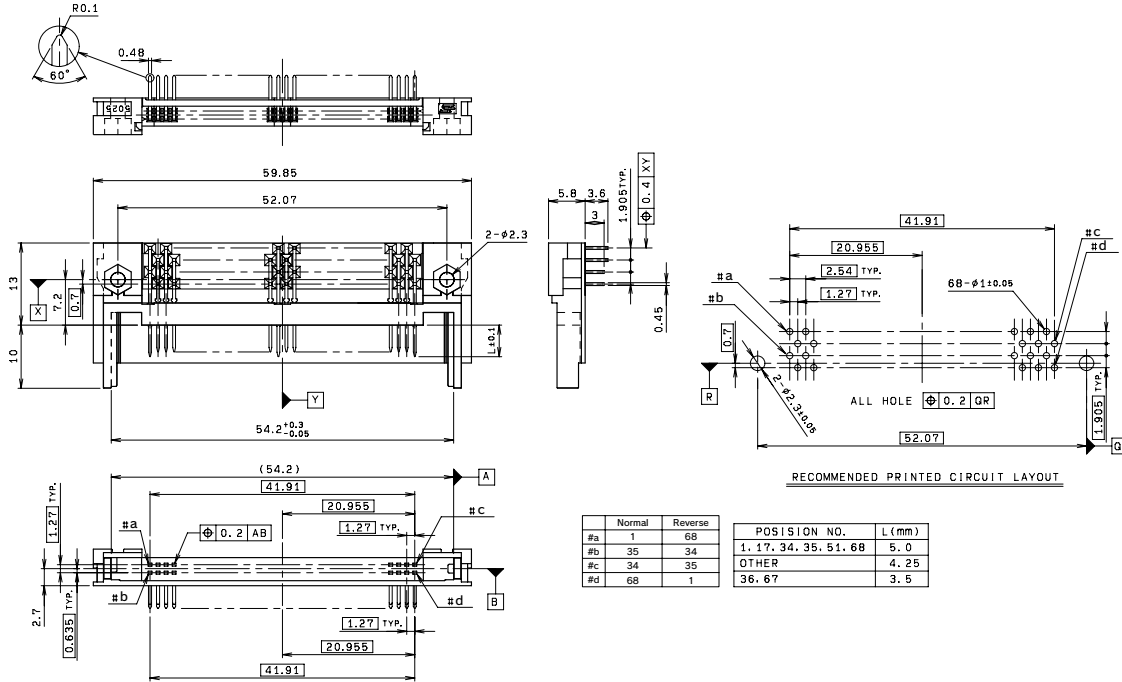
PCMCIA

SERIES

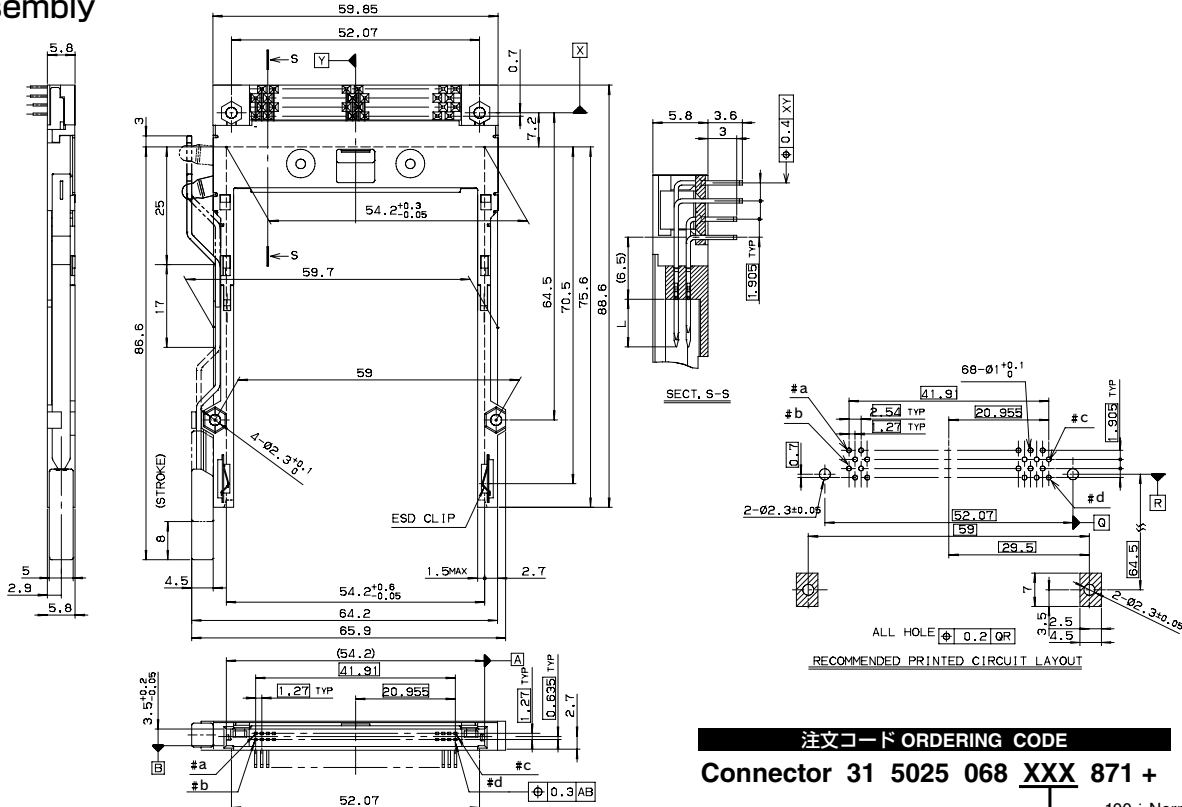
5025

DIP Single

● Connector



● Assembly



注文コード ORDERING CODE

Connector 31 5025 068 XXX 871 +

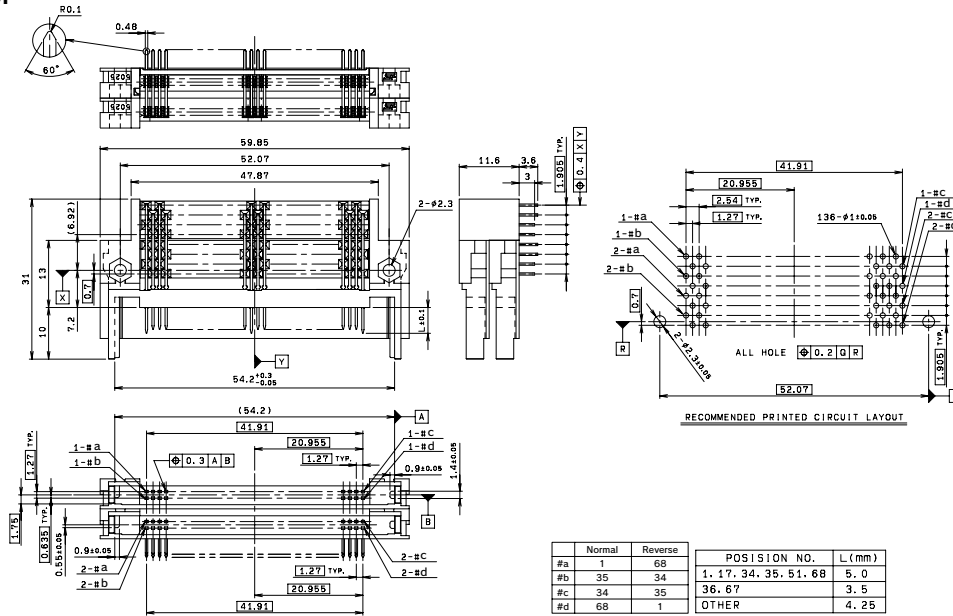
100 : Normal type
150 : Reverse type

Ejector 30 5025 000 XXX 000 +

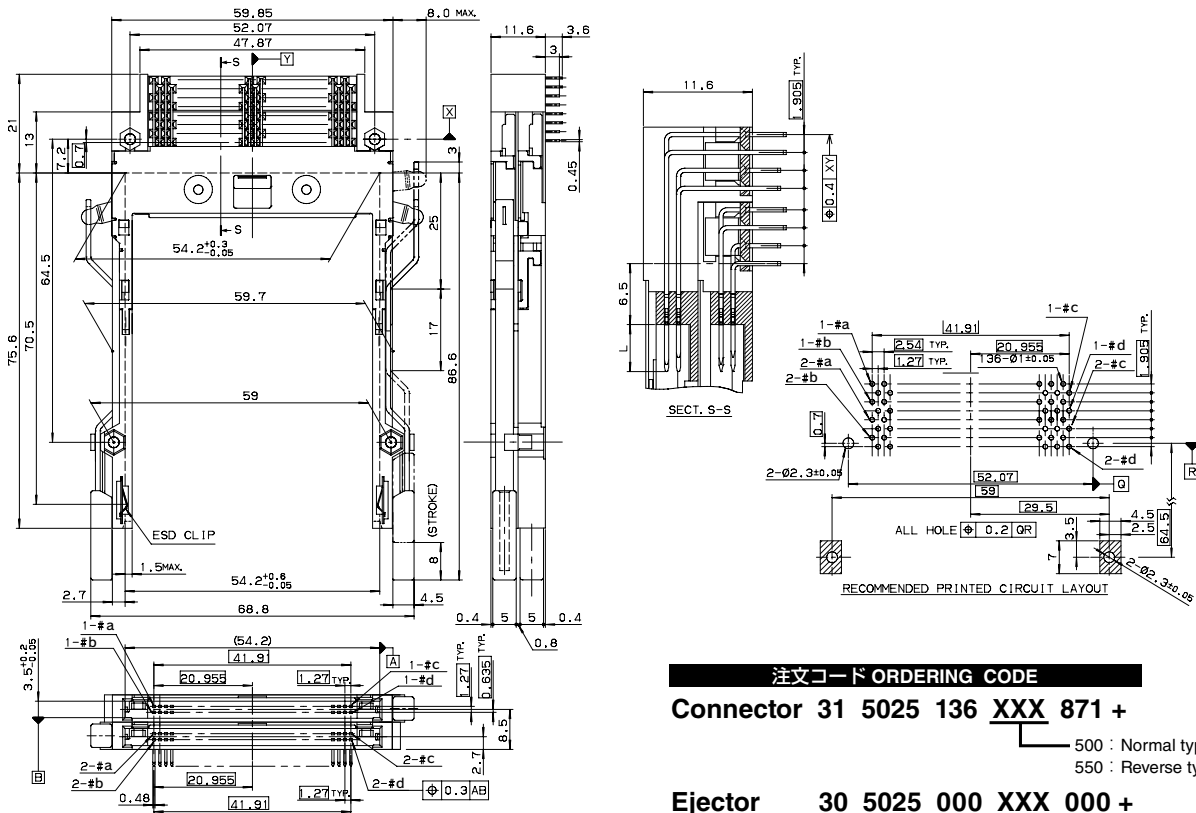
321 : Left button
322 : Right button

RoHS 対応品
RoHS Compliant Product

● Connector



● Assembly



RoHS 対応品
RoHS Compliant Product