

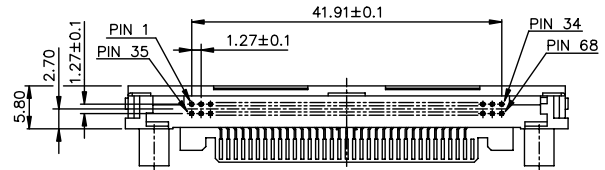
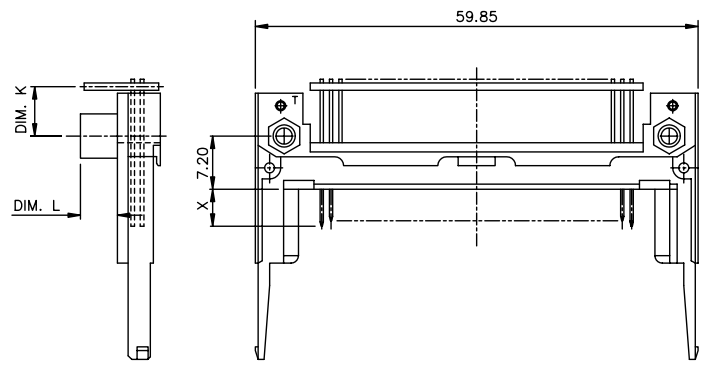
FCI CONFIDENTIAL

FCI

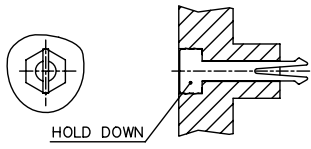
This document is the property of and includes CONFIDENTIAL and PROPRIETARY information of FCI. No part of the information shown on this document may be used in any way or disclosed to other parties without the written consent of FCI. Copyright © FCI.

PRODUCT NO.	DIM "X"		
	95548-****	4.25±0.1	3.5±0.1
	OTHERS	36,67	1,17,34 35,51,68

- 95548-□□□□
- HOLD DOWN : H
 - STAND-OFF :
 - 00 : 0.0 mm
 - 20 : 2.0 mm
 - 22 : 2.2 mm
 - 30 : 3.0 mm
 - 40 : 4.0 mm
 - 43 : 4.3 mm
 - 50 : 5.0 mm
 - UPPER DECK : 5
 - LOWER DECK : 0
 - LOWER DECK : 1
(FOR HOLLAND)
 - LOWER DECK : 2
(FOR KOREA)
 - TOP MOUNT : 0
 - BOTTOM MOUNT : 5



NOTE:
1. ADD "H" TO PART NUMBER FOR OPTIONAL HOLD DOWN (2 PER ASSEMBLY).



95548-0000	0	-0.3
95548-0050H	5	-0.3
95548-0222	2.2	2.15
95548-0150	5	-0.3
95548-0100	0	2.15
95548-0522	0	9.0
95548-0022	2.2	2.15
95548-0543	0	6.55
95548-0043	4.3	-0.3
95548-0550	0	6.55
95548-0050	5	-0.3
95548-0500	0	10.0

PRODUCT NO.	DIM.L	DIM.K±0.20
-------------	-------	------------

mat'l. code		surface	tolerance	projection	product family
ISO 1302		ISO 406	ISO 101	101	PCMCIA
ltr	ecr no	dr	date	title	
J	T03-0464	W	L 10/26/03	68 POS EJECTOR HEADER HSG	
K	N04-0092	W	B 12/01/04	HEADER ASSY	
L	N06-0110	M	Z 07/01'06	angles	linear
M	N08-0099	M	Z 06/20'06	±2'	±0.3
				scale	2:1
				MM	
				dwg no	sheet 1 of 4 size
				95548	A4
				type	CUSTOMER Drawing
sheet index	revision sheet	M	M	M	M
1	2	3	4		

PDM: Rev:M STATUS Released Printed: Oct 12, 2010 6

form: A3

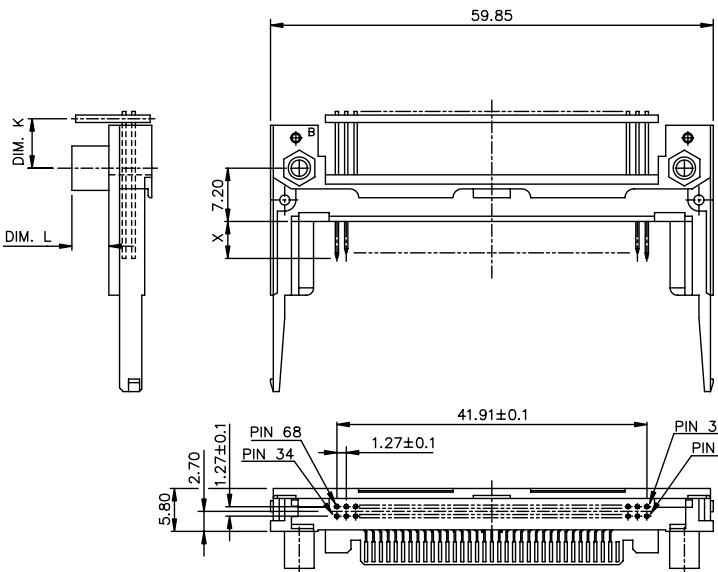
FCI CONFIDENTIAL



FCIconnect.com

This document is the property of and includes CONFIDENTIAL and PROPRIETARY information of FCI. No part of the information shown on this document may be used in any way or disclosed to others without the written consent of FCI. Copyright FCI.

PRODUCT NO.	DIM"X"		
	95548-****	4.25±0.1	3.5±0.1
OTHERS		36,67	1,17,34 35,51,68



95548-□□□	STAND-OFF	00 : 0.0 mm
		20 : 2.0 mm
		22 : 2.2 mm
		30 : 3.0 mm
		40 : 4.0 mm
		43 : 4.3 mm
		50 : 5.0 mm
	UPPER DECK	: 5
	LOWER DECK	: 0
	TOP MOUNT	: 0
	BOTTOM MOUNT	: 5

95548-5150	5	2.15
95548-5522	0	9.0
95548-5022	2.2	2.15
95548-5543	0	6.55
95548-5043	4.3	-0.3
95548-5550	0	6.55
95548-5050	5	-0.3
95548-5500	0	10.0
PRODUCT NO.	DIM.L	DIM.K±0.20

mat'l. code	surface	tolerance	projection	product family				
	ISO 1302	ISO 406	ISO 101	PCMCIA				
ltr	ecn no	dr	date	title				
M				68 POS EJECTOR HEADER HSG HEADER ASS'Y				
				angles linear ±0.3				
				±2'				
				scale				
	dr	Mike Zhou	07/01/06					
	enr	Mike Zhou	07/01/06					
	chr	Qin David	07/01/06					
	appd	Jack Wang	07/01/06					
sheet index	revision sheet			dwg no	sheet	2 of 4	size	A4
				95548				
				type	CUSTOMER			Drawing

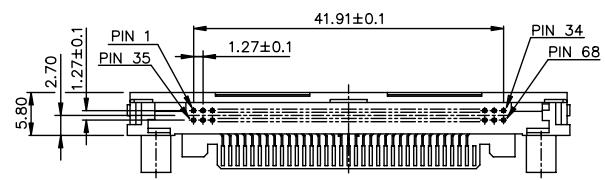
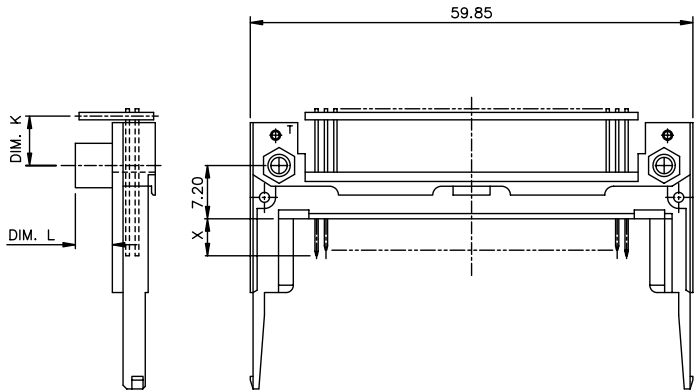
FCI CONFIDENTIAL



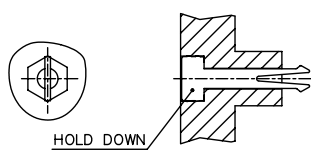
This document is the property of and includes CONFIDENTIAL and PROPRIETARY information of FCI. No part of the information shown on this document may be used in any way or disclosed to others without the written consent of FCI. Copyright © FCI.

PRODUCT NO.	DIM "X"		
	95548-****LF	4.25±0.1	3.5±0.1
	OTHERS	36,67	1,17,34 35,51,68

- 95548-□□□□
- LEAD-FREE OPTION : LF
 - HOLD DOWN : H
 - STAND-OFF
 - 00 : 0.0 mm
 - 20 : 2.0 mm
 - 22 : 2.2 mm
 - 30 : 3.0 mm
 - 40 : 4.0 mm
 - 43 : 4.3 mm
 - 50 : 5.0 mm
 - UPPER DECK : 5
 - LOWER DECK : 0
 - LOWER DECK : 1
(FOR HOLLAND)
 - LOWER DECK : 2
(FOR KOREA)
 - TOP MOUNT : 0
 - BOTTOM MOUNT : 5



NOTE:
1. ADD "H" TO PART NUMBER FOR OPTIONAL HOLD DOWN (2 PER ASSEMBLY).



95548-0100MLF	0	2.15
95548-0000LF	0	-0.3
95548-0051LF	5	-0.3
95548-0050HLF	5	-0.3
95548-0222LF	2.2	2.15
95548-0150LF	5	-0.3
95548-0100LF	0	2.15
95548-0522LF	0	9.0
95548-0022LF	2.2	2.15
95548-0543LF	0	6.55
95548-0043LF	4.3	-0.3
95548-0550LF	0	6.55
95548-0050LF	5	-0.3
95548-0500LF	0	10.0

PRODUCT NO.	DIM.L	DIM.K±0.20
-------------	-------	------------

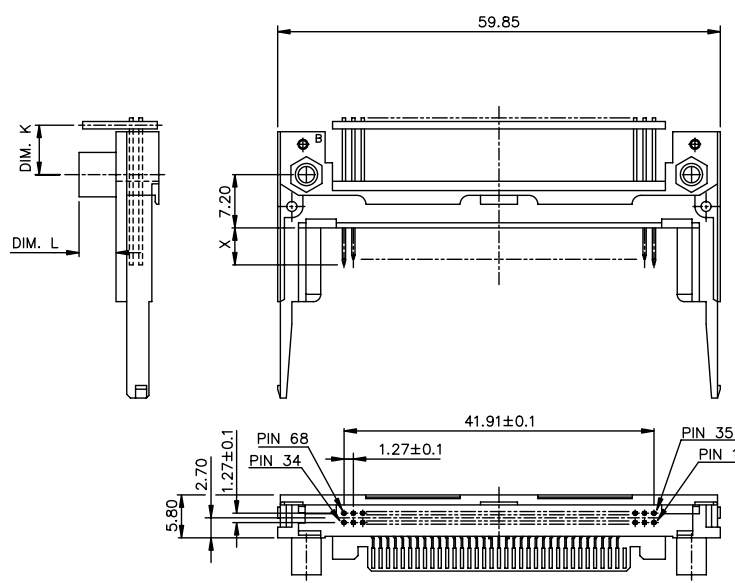
mat'l. code		surface	tolerance	projection	product family
ltr ecn no dr date		ISO 1302	ISO 406 ISO 101	MM	PCMCIA
M		tolerances unless otherwise specified		MM	title
		angles	linear ±0.3	MM	68 POS EJECTOR HEADER HSG
		±2'	scale		HEADER ASS'Y
		dr Mike Zhou 07/01'06			dwg no sheet 3 of 4 size
		enr Mike Zhou 07/01'06			95548 A4
		chr Qin David 07/01'06			type CUSTOMER Drawing
		appd Jack Wang 07/01'06			
sheet index	revision sheet				

FCI CONFIDENTIAL

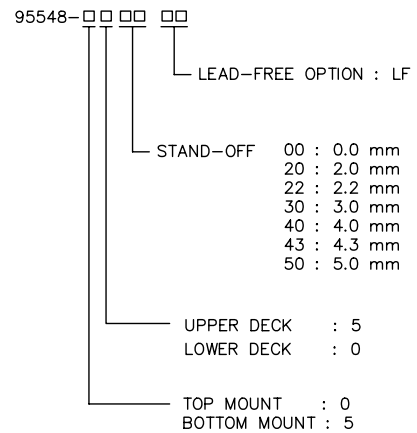
FCI

This document is the property of and includes CONFIDENTIAL and PROPRIETARY information of FCI. No part of the information shown on this document may be used in any way or disclosed to others without the written consent of FCI. Copyright © FCI.

PRODUCT NO.	DIM "X"		
	95548-****LF	4.25±0.1	3.5±0.1
OTHERS		36,67	1,17,34 35,51,68



Note:
 1. FINISH (PIN)
 UNDER PLATING : 0.5 μm MIN. Ni
 CONTACT AREA : 0.1 μm MIN. GOLD OVER
 0.5 μm MIN. Pd-Ni
 SOLDER TAIL:
 TIN LEAD PLATING: 2.5 μm MIN. Sn-Pb
 LEAD FREE PLATING: 2.5 μm MIN. PURE TIN
 2. IF LEAD FREE P/N. THE HOUSING WILL WITHSTAND
 EXPOSURE TO 260°C PEAK FOR 10 SECONDS IN
 A WAVE SOLDER APPLICATION WITH A 1.00MM
 MINIMUM THICK CIRCUIT BOARD
 3. IF LEAD FREE P/N. PACKAGING MEETS GS-14-920
 SPECIFICATION



95548-5150LF	5	2.15
95548-5522LF	0	9.0
95548-5022LF	2.2	2.15
95548-5543LF	0	6.55
95548-5043LF	4.3	-0.3
95548-5550LF	0	6.55
95548-5050LF	5	-0.3
95548-5500LF	0	10.0
PRODUCT NO.	DIM.L	DIM.K±0.20

mat'l. code	surface ISO 1302	tolerance ISO 406	projection ISO 101	product family PCMCIA
ltr	ecn no	dr	date	title
M				68 POS EJECTOR HEADER HSG HEADER ASS'Y
				dwg no 95548
				sheet 4 of 4 size A4
				type CUSTOMER Drawing
sheet index	revision sheet			