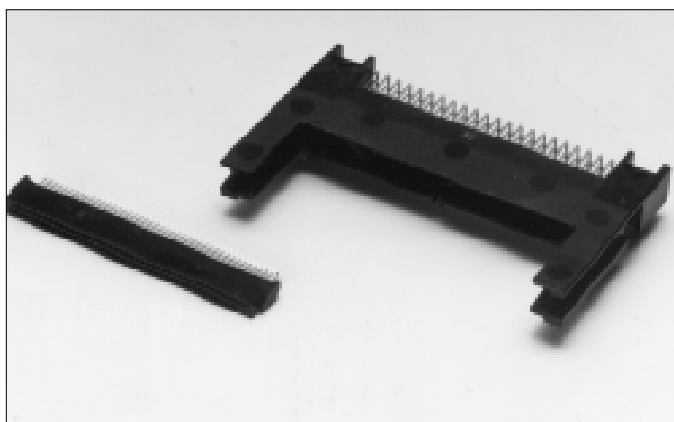


MEMORY CARD CONNECTORS (JEIDA CONFORMABLE)

560H SERIES DRAM CARD CONFORMING TO Ver. 1

■ FEATURES

- These connectors conform to the Japan Electronic Industry Development Association (JEIDA) DRAM card Ver. 1.0 and Joint Electron Device Engineering Council (JEDEC) standards for 88 pin connectors.
- Contact pitch of 1.0 mm (0.039 in.) x 1.27 mm (0.050 in.). Contacts are arranged in a staggered placement. Incorrect insertion can be prevented. Hot system plugging is possible.
- A raised mounting type connector (under which components with a height of 4.5 mm (0.177 in.) maximum can be mounted) is also available.
- The socket is of the SMT type. It is a straddle-type socket for PC board double-sided mounting.



■ SPECIFICATIONS

Item	Specification
Operating temperature range	- 55°C to + 85°C
Current rating	DC 0.5 A
Voltage rating	AC 250 V
Contact resistance	40 mΩ max (6 VDC, 0.1 A)
Insulation resistance	1000 MΩ min. (500 VDC)
Dielectric withstanding voltage	500 VAC for 1 minute
Insertion/withdrawal life	Industrial environment: 100 times Office environment: 200 times

■ MATERIALS

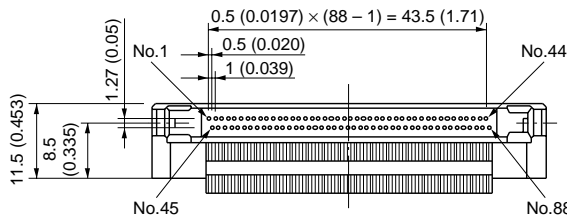
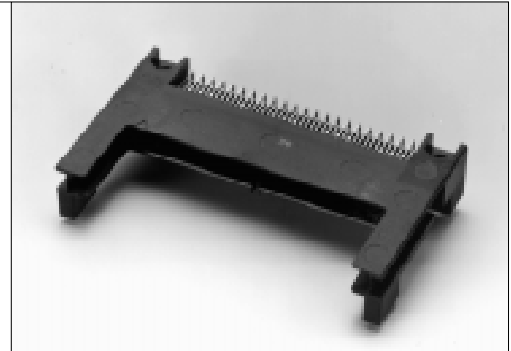
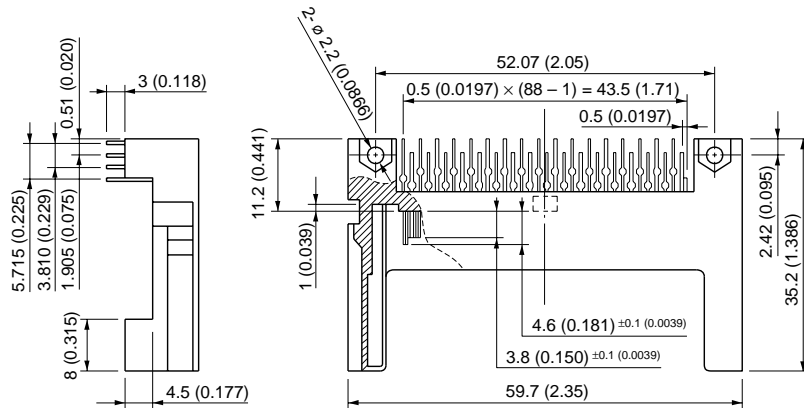
Item	Specification
Insulating material	Plug and socket: PPS (UL94V-0) Copper alloy
Conductor	Contact: Gold over palladium over nickel (PAGOS)
Plating	Terminal: Palladium

560H Series DRAM Card Ver. 1 Conformable

RIGHT-ANGLE PLUG, THROUGH-HOLE TYPE (RAISED MOUNTING TYPE)

■ DIMENSIONS

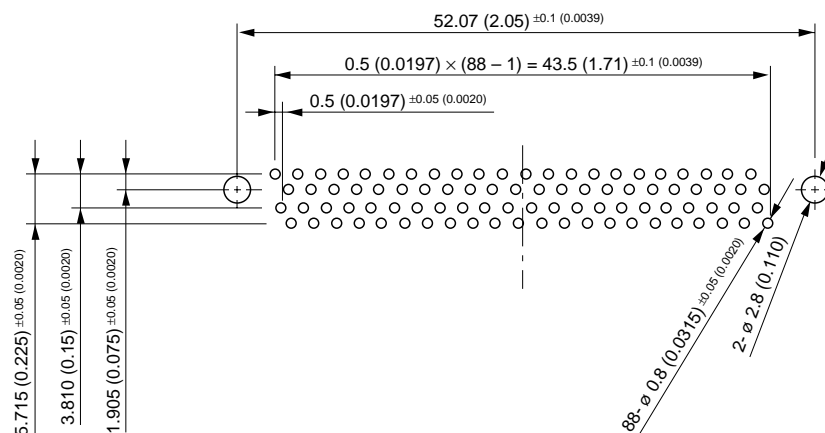
Part number: FCN-565R088-G/A



Pin No.	Dimension A	Remarks
1, 9, 11, 15, 17, 25, 27, 35, 37, 44, 45, 56, 63, 67, 73, 88	4.6 (0.181)	Power, ground
Other pins	3.8 (0.150)	Signal pins

Unit: mm (in.)

■ PC BOARD MOUNTING HOLE LAYOUT (MOUNTING SIDE)



Screws: M2.5 mm (0.098 in.) x 5 mm (0.197 in.) thread self-tapping screws (when 1.6 mm (0.063 in.) thick PC board is used) are recommended.

Unit: mm (in.)

560H Series DRAM Card Ver. 1 Conformable

Fujitsu Components International Headquarter Offices

Japan

Fujitsu Component Limited
Gotanda-Chuo Building
3-5, Higashigotanda 2-chome, Shinagawa-ku
Tokyo 141, Japan
Tel: (81-3) 5449-7010
Fax: (81-3) 5449-2626
Email: promothq@ft.ed.fujitsu.com
Web: www.fcl.fujitsu.com

North and South America

Fujitsu Components America, Inc.
250 E. Caribbean Drive
Sunnyvale, CA 94089 U.S.A.
Tel: (1-408) 745-4900
Fax: (1-408) 745-4970
Email: marcom@fcai.fujitsu.com
Web: www.fcai.fujitsu.com

Europe

Fujitsu Components Europe B.V.
Diamantlaan 25
2132 WV Hoofddorp
Netherlands
Tel: (31-23) 5560910
Fax: (31-23) 5560950
Email: info.marketing@fceu.fujitsu.com
Web: www.fceu.fujitsu.com

Asia Pacific

Fujitsu Components Asia Ltd.
102E Pasir Panjang Road
#04-01 Citilink Warehouse Complex
Singapore 118529
Tel: (65) 375-8560
Fax: (65) 273-3021
Email: fcal@fcal.fujitsu.com
www.fcal.fujitsu.com

© 2001 Fujitsu Components America, Inc. All company and product names are trademarks or registered trademarks of their respective owners. Rev. 09/2001