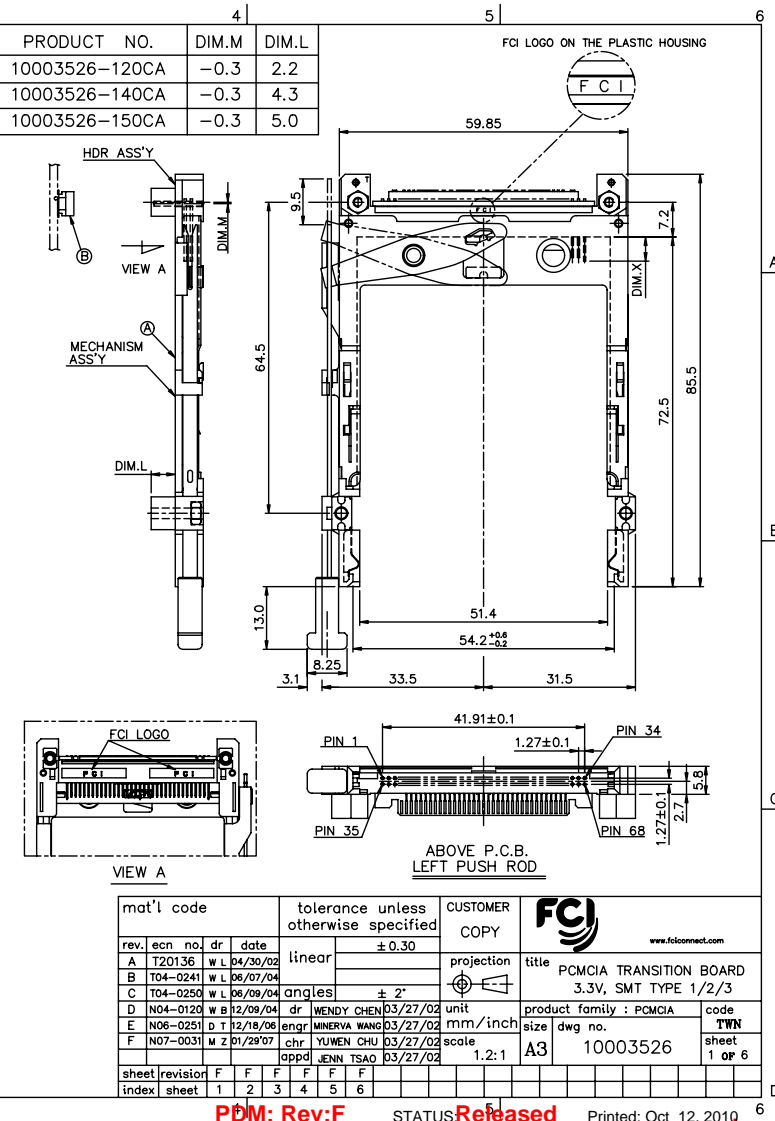
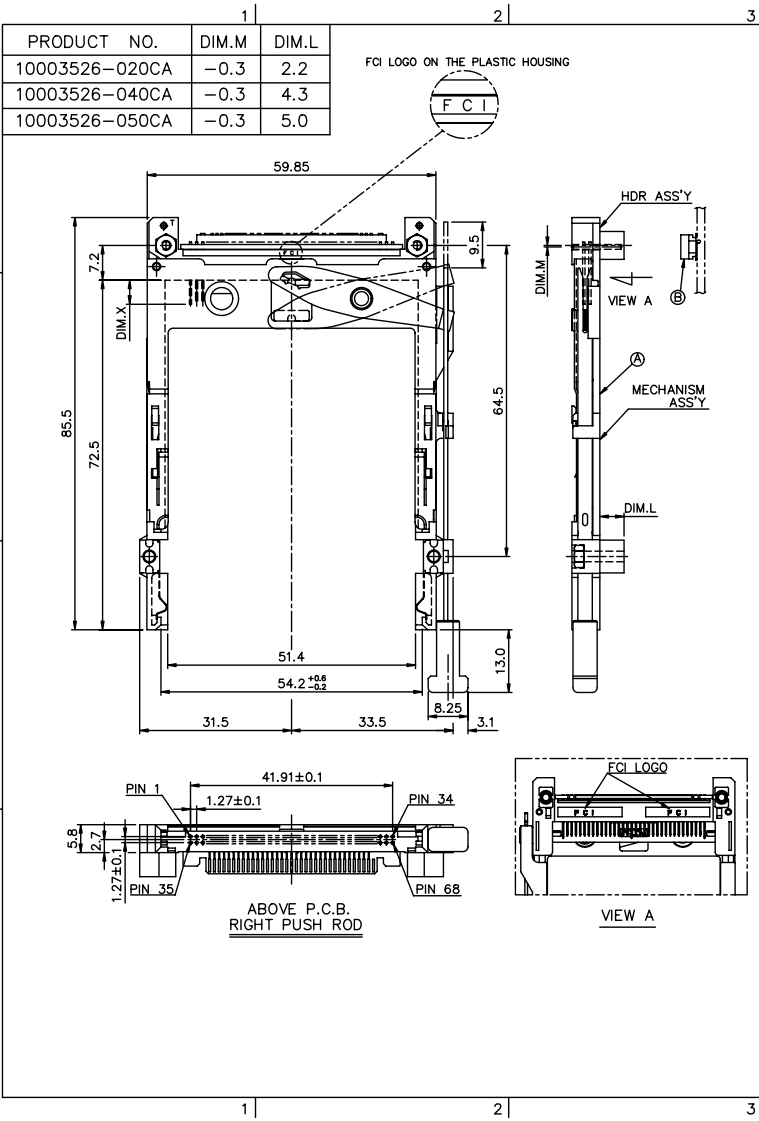
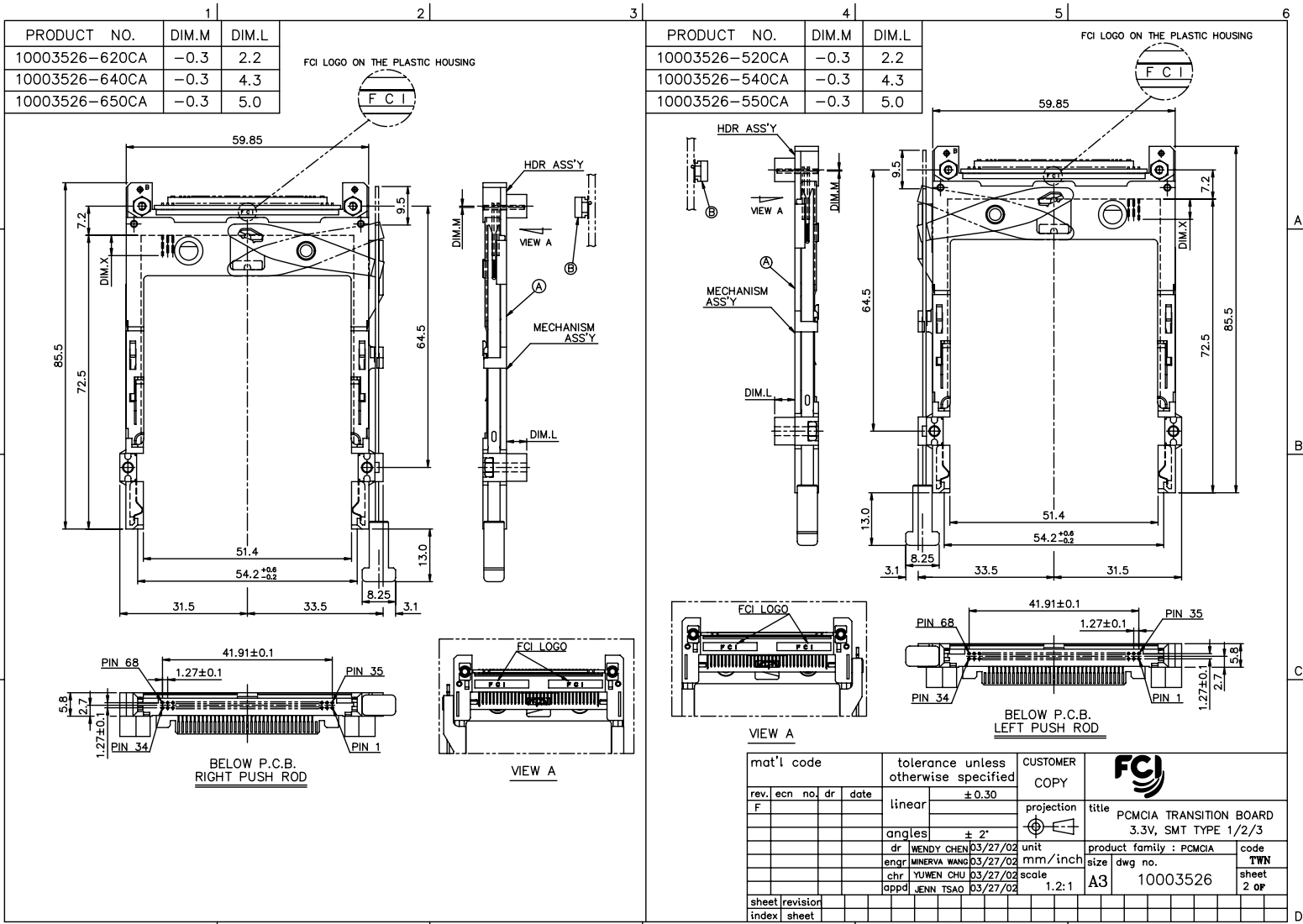


Tous droits réservés. Toute réimpression ou communication sans autorisation écrite du propriétaire. Property of BERG ELECTRONICS. All rights reserved. Reproduction or issue to third parties in any form without the written authority from the proprietor. Copyright BERG ELECTRONICS



PDM: Rev:F STATUS **Released** Printed: Oct 12, 2010

All rights are reserved. Reproduction or translation in any form or by any means, without written authority from the proprietor.
 Toute réimpression, réproduction ou traduction, en quelque forme que ce soit sans autorisation écrite du propriétaire.
 Property of © BERG ELECTRONICS
 Copyright BERG ELECTRONICS by



mat'l code		tolerance unless otherwise specified		CUSTOMER COPY			
rev.	ecn no.	dr	date	linear	± 0.30		
F				angles	± 2°		PCMCIA TRANSITION BOARD
				dr	WENDY CHEN 03/27/02		unit
				enrg	MINERVA WANG 03/27/02	mm/inch	product family : PCMCIA
				chr	YUWEN CHU 03/27/02	size	code
				appd	JENN TSAO 03/27/02	scale	10003526
						1.2:1	TWN
sheet	revision						sheet
index	sheet						2 of

PDM: Rev:F
 STATUS Released
 Printed: Oct 12, 2010

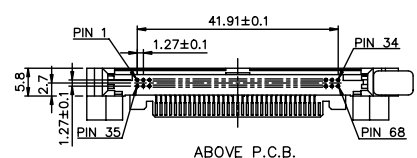
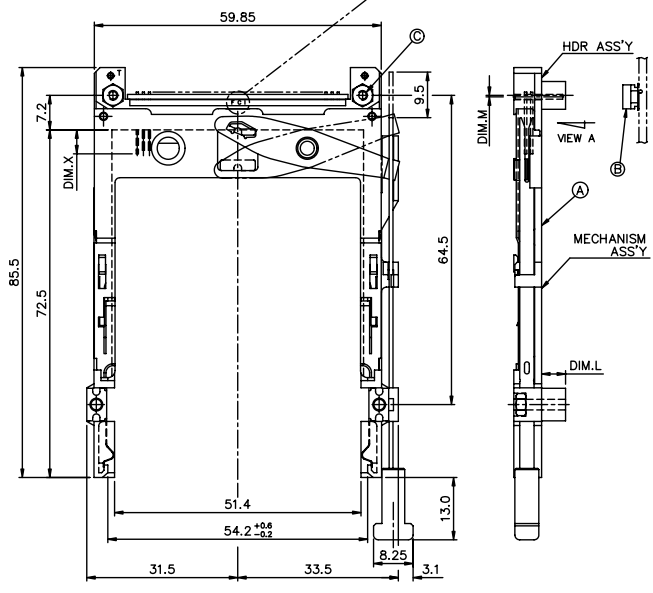
FCI CONFIDENTIAL

FCI

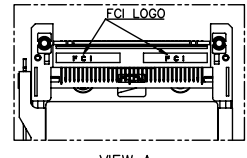
This document is the property of and includes CONFIDENTIAL and PROPRIETARY information of FCI. No part of the information shown on this document may be used in any way or disclosed to others without the written consent of FCI. Copyright © FCI.

PRODUCT NO.	DIM.M	DIM.L
10003526-020CALF	-0.3	2.2
10003526-040CALF	-0.3	4.3
10003526-050CALF	-0.3	5.0

FCI LOGO ON THE PLASTIC HOUSING



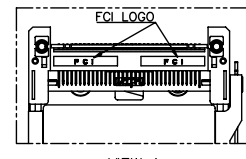
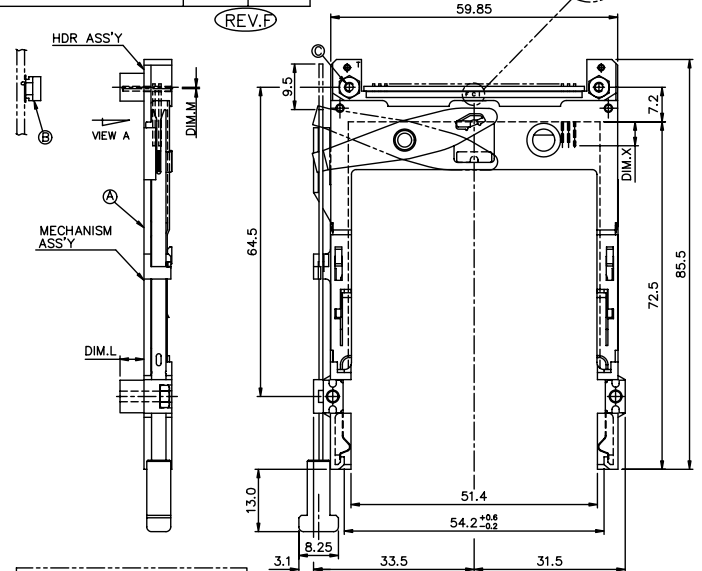
ABOVE P.C.B. RIGHT PUSH ROD



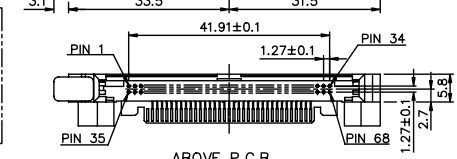
VIEW A

PRODUCT NO.	DIM.M	DIM.L
10003526-120CALF	-0.3	2.2
10003526-140CALF	-0.3	4.3
10003526-150CALF	-0.3	5.0

FCI LOGO ON THE PLASTIC HOUSING



VIEW A



ABOVE P.C.B. LEFT PUSH ROD

mat'l. code	surface	tolerance	projection	product family
	ISO 1302	ISO 406 ISO 101	101	PCMCIA
ltr	ecn no	dr	date	title
F				PCMCIA TRANSITION BOARD
				3.3V, SMT TYPE 1/2/3
				dwg no
				10003526
				sheet 3 of size
				A4
				type
				CUSTOMER Drawing
sheet index	revision sheet			

PDM! Rev:F

STATUS Released

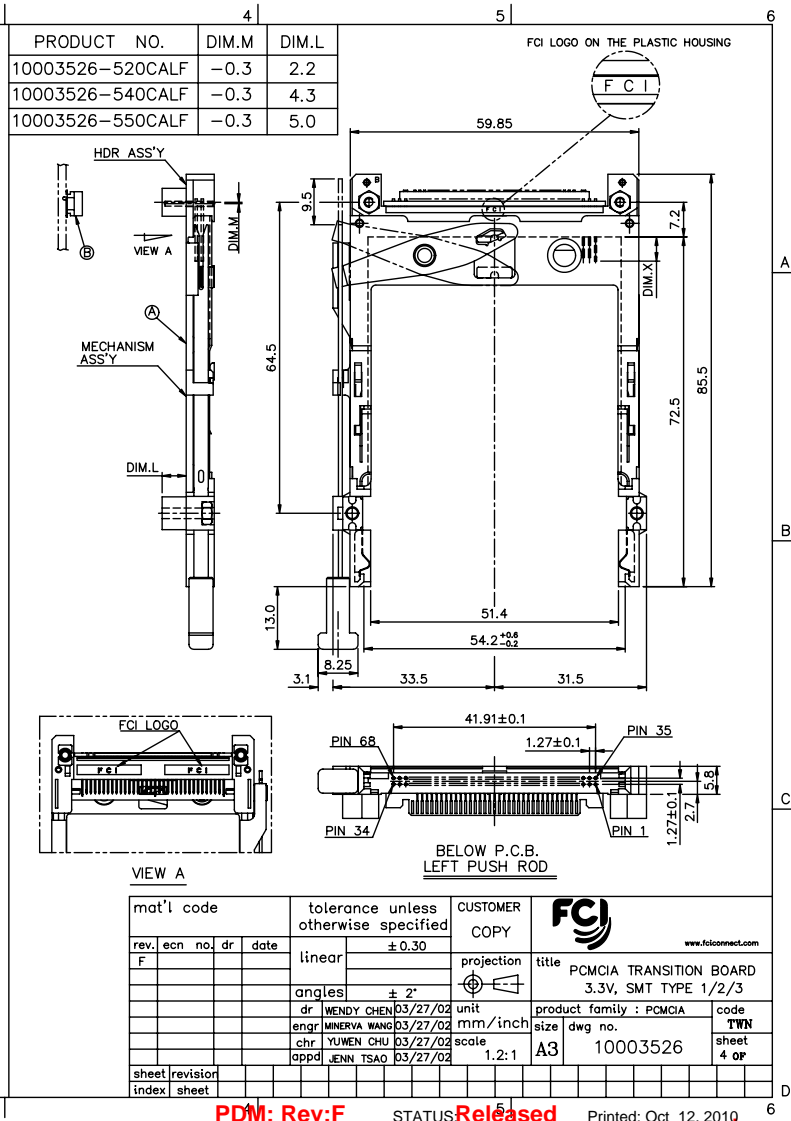
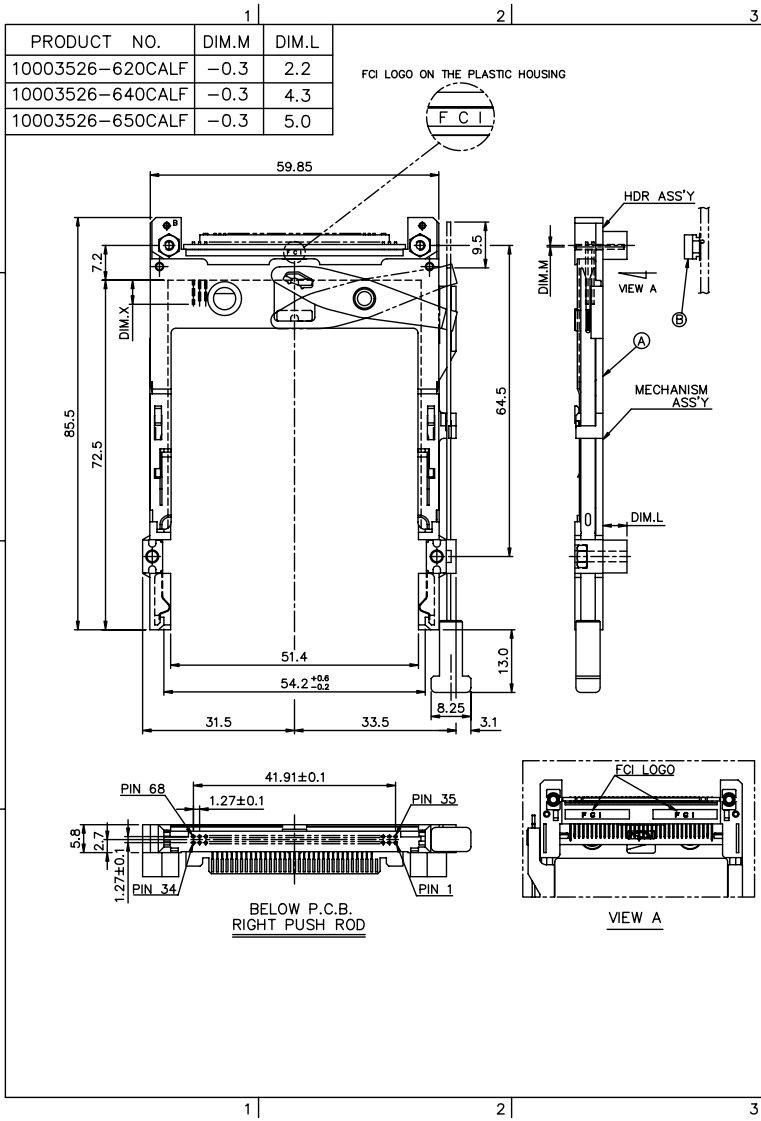
Printed: Oct 12, 2010 6

form: A3

3

D

All rights are reserved. Reproduction or translation in any form without the written authority of FCI is prohibited.
 Toute réimpression, réproduction ou traduction en quelque forme que ce soit sans autorisation écrite du propriétaire.
 Toute réimpression sans autorisation écrite de BERG ELECTRONICS by FCI.
 Toute réimpression sans autorisation écrite de BERG ELECTRONICS by FCI.
 Toute réimpression sans autorisation écrite de BERG ELECTRONICS by FCI.



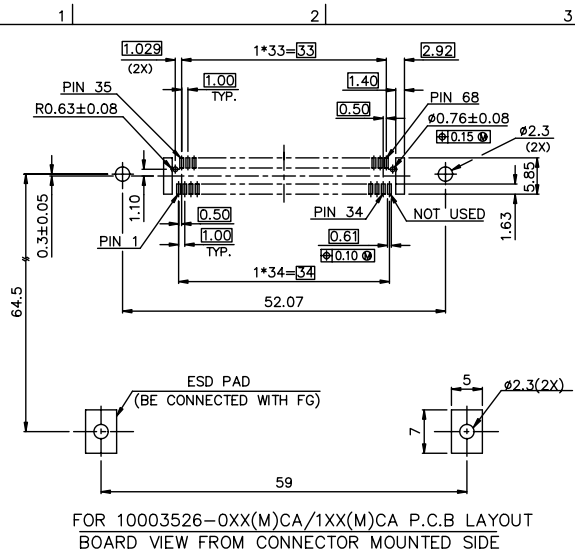
mat'l code	tolerance unless otherwise specified	CUSTOMER COPY	FCI	
rev. ecn no. dr date	linear ± 0.30	projection	www.fciconnect.com	
	angles ± 2°	unit	title PCMCIA TRANSITION BOARD	
dr WENDY CHEN 03/27/02		size	3.3V, SMT TYPE 1/2/3	
enr MINERVA WANG 03/27/02		scale	product family : PCMCIA	
chr YUWEN CHU 03/27/02		1:2:1	size	code TWN
appd JENN TSAO 03/27/02			dwg no. 10003526	sheet 4 of 4
sheet index	revision sheet			

PDM: Rev:F STATUS **Released** Printed: Oct 12, 2010

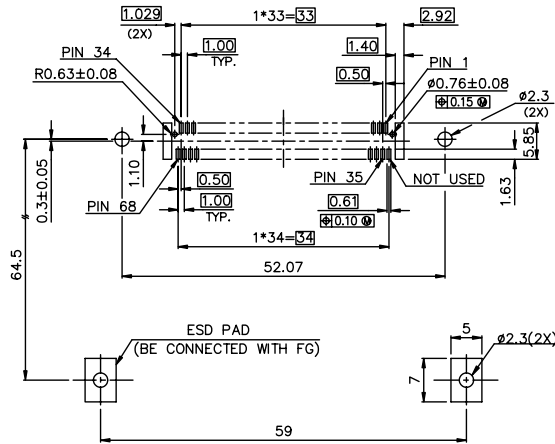
Toute réimpression, reproduction ou communication à des tiers sans autorisation écrite du propriétaire.
 Toute réimpression, reproduction ou communication à des tiers sans autorisation écrite du propriétaire.
 Toute réimpression, reproduction ou communication à des tiers sans autorisation écrite du propriétaire.



All rights are reserved. Reproduction or transmission in any form or by any means without written authority from the proprietor.
 All rights are reserved. Reproduction or transmission in any form or by any means without written authority from the proprietor.
 All rights are reserved. Reproduction or transmission in any form or by any means without written authority from the proprietor.



FOR 10003526-0XX(M)CA/1XX(M)CA P.C.B LAYOUT
BOARD VIEW FROM CONNECTOR MOUNTED SIDE



FOR 10003526-5XX(M)CA/6XX(M)CA P.C.B LAYOUT
BOARD VIEW FROM CONNECTOR MOUNTED SIDE

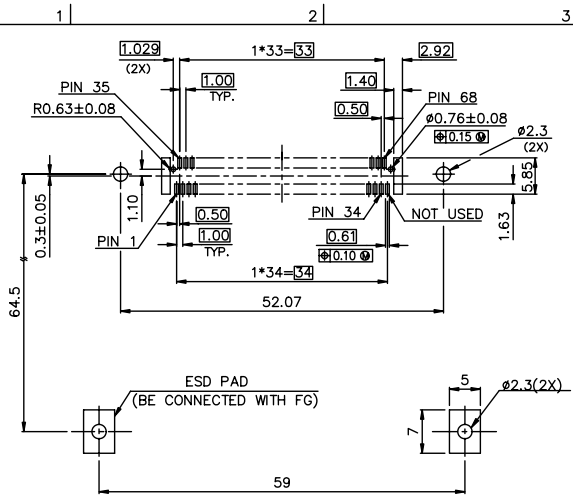
NOTES:

- 8mm MIN. CARD EJECT.
- EJECT TRAVEL: 9.5mm
- PUSH ROD LOCATION AND P.C.B. SIDE ARE AS APPEARS INSTALLED.
- MATERIAL
 - HEADER ASS'Y:
 PLASTIC : HOUSING ...LCP UL94V-0 BLACK
 PIN : COPPY ALLOY (REV.F)
 PCB : FR4
 - EJECT MECHANISM ASS'Y:
 GUIDE: PLASTIC ,UL94V-0 BLACK (REV.F)
 BUTTON: PLASTIC, UL94V-0 BLACK
 PLATE AND PUSH ROD : STAINLESS STEEL
 EMI CONTACT: PHOSPHOR BRONZE
- FINISH (PIN)
 - UNDER PLATING : 0.5µm MIN. Ni
 - CONTACT AREA : 0.1µm MIN. GOLD OVER
 - 0.5µm MIN. Pd-Ni
 - CONTACT AREA (FOR****LF) : 0.25µm MIN. GOLD (REV.F)
 - SOLDER TAIL(TIN LEAD OPTION): 2.5µm MIN. Sn-Pb
 - SOLDER TAIL(LEAD FREE OPTION): 2.5µm MIN. PURE TIN
- IF LEAD FREE P/N.THE HOUSING WILL WITHSTAND EXPOSURE TO 260°C PEAK TEMPERATURE FOR 10 SECONDS IN A WAVE SOLDER APPLICATION WITH A 1.00MM MINIMUM THICK CIRCUIT BOARD.
- LEAD FREE PRODUCT MEETS EUROPEAN UNION DIRECTIVES AND OTHER COUNTRY REGULATIONS AS DISCRIBLED IN GS-22-008
- LEAD FREE PRODUCT PACKAGING MEETS GS-14-920 SPECIFICATION
- DIM "X"

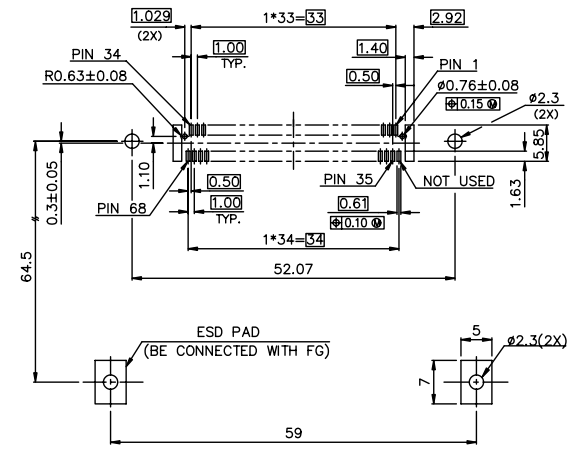
4.25±0.1	3.5±0.1	5.0±0.1
OTHERS	36,67	1,17,34,35,51,68

mat'l code		tolerance unless otherwise specified		CUSTOMER COPY				www.fciconnect.com	
rev.	ecn no.	dr	date	linear	±0.1	projection	title		
F				angles			P.C.B LAYOUT		
				dr	WENDY CHEN 03/27/02	unit	product family : PCMCIA		code
				enrg	MNERVA WANG 03/27/02	mm/inch	size		TWN
				chr	YUWEN CHU 03/27/02	scale	A3		10003526
				appd	JENN TSAO 03/27/02	scale	A3		10003526
sheet	revision								
index	sheet								

PDM: Rev:F STATUS: Released Printed: Oct 12, 2010



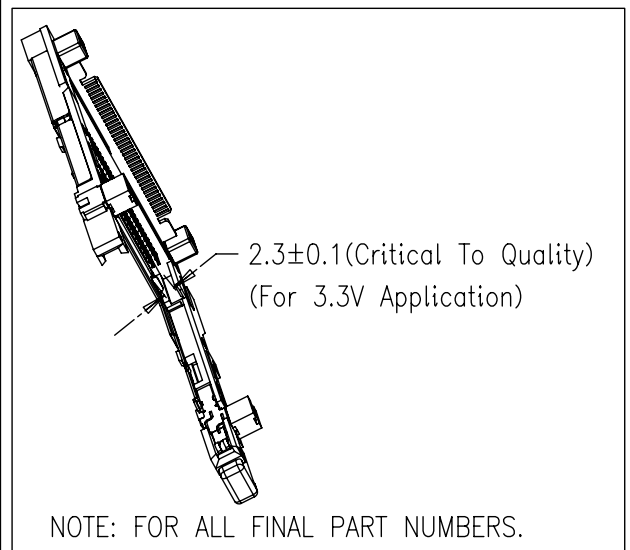
FOR 10003526-0XX(M)CALF/1XX(M)CALF P.C.B LAYOUT
BOARD VIEW FROM CONNECTOR MOUNTED SIDE



FOR 10003526-5XX(M)CALF/6XX(M)CALF P.C.B LAYOUT
BOARD VIEW FROM CONNECTOR MOUNTED SIDE

ORDERING INFORMATION		
NAME	PART NO.	Q'TY
(A) EJECT HEADER ASS'Y	10003526-XXXXX	1
(B) MATING RECEPTACLE	91931-31169	1

NAME	PART NO.	Q'TY
(A) EJECT HEADER ASS'Y	10003526-XXXXXLF	1
(B) MATING RECEPTACLE	91931-31169LF	1



mat'l code		tolerance unless otherwise specified		CUSTOMER COPY		FCJ		www.fciconnect.com	
rev.	ecn no.	dr	date	linear	±0.1	projection	title		
F				angles			P.C.B LAYOUT		
				dr	WENDY CHEN 03/27/02	unit	product family : PCMCIA		code
				enrg	MINERVA WANG 03/27/02	mm/inch	size		TWN
				chr	YUWEN CHU 03/27/02	scale	A3		10003526
				appd	JENN TSAO 03/27/02				sheet 6 of 6
sheet	revision								
index	sheet								

PDM: Rev:F STATUS Released Printed: Oct 12, 2010

Tous droits réservés. Reproduction ou utilisation sans autorisation écrite du propriétaire. Toute réimpression sans autorisation écrite du propriétaire. Toute réimpression sans autorisation écrite du propriétaire. Toute réimpression sans autorisation écrite du propriétaire.

All rights reserved. Reproduction or use without written authority of the proprietor. All rights reserved. Reproduction or use without written authority of the proprietor. All rights reserved. Reproduction or use without written authority of the proprietor. All rights reserved. Reproduction or use without written authority of the proprietor.