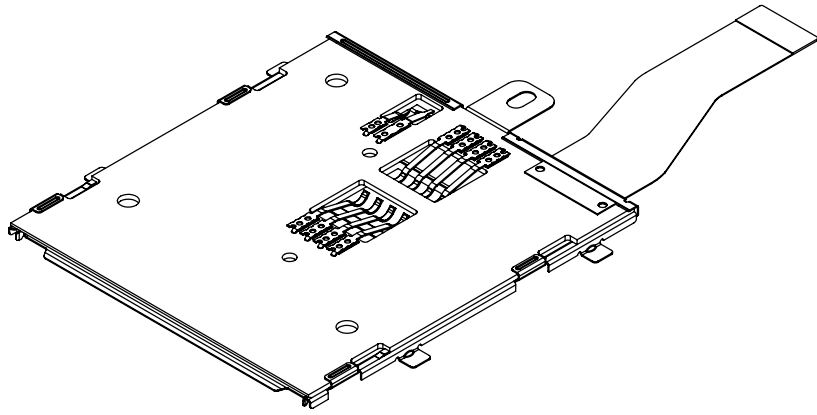


Tous droits strictement réservés. Reproduction ou communication, en des tiers interdite sans quelque forme que ce soit sans autorisation écrite du propriétaire.  
 Property of © FCI ELECTRONICS.  
 Droits de reproduction FCI ELECTRONICS INC.

All rights strictly reserved. Reproduction or issue to third parties, in any form whatever is not permitted without written authority from the proprietor.  
 Property of © FCI ELECTRONICS.  
 Copyright FCI ELECTRONICS INC.

PRODUCT NO.	FPC	PACKAGING	COMPONENTS	LEAD FREE	PCB COLOR
10010556-002LF	10010559-002LF	10017475-02-002	ELEC. PARTS	YES	BLUE
10010556-003LF	10105325-001	10017475-02-009	N/A	YES	BLACK
10010556-004LF	10056226-002LF(FFC)	10017475-02-004	N/A	YES	BLUE
10010556-006LF	10058983-001LF	10017475-02-003	N/A	YES	BLACK
10010556-005LF	10056226-003LF(FFC)	10017475-02-004	N/A	YES	BLUE
10010556-007LF	10081578-001	10017475-02-006	N/A	YES	BLACK
10010556-008LF	10056226-004LF(FFC)	10017475-02-003	N/A	YES	BLUE
10010556-009LF	10083983-001(FFC)	10017475-02-008	N/A	YES	BLUE
10010556-010LF	10056226-005LF(FFC)	340391-202	N/A	YES	GREEN
10010556-011LF	10087561-001	10017475-02-007	N/A	YES	BLUE
10010556-012LF	10087561-002	10017475-02-007	N/A	YES	BLUE
10010556-013LF	10088568-001	10017475-02-006	N/A	YES	BLACK
10010556-014LF	10087561-004	10017475-02-004	N/A	YES	BLUE
10010556-015LF	10099689-001(FFC)	10017475-02-006	N/A	YES	BLACK
10010556-016LF	10056226-006LF(FFC)	340391-202	N/A	YES	GREEN
10010556-017LF	10056226-007LF(FFC)	340391-202	N/A	YES	GREEN
10010556-018LF	10107293-001(FFC)	10017475-02-004	N/A	YES	GREEN



NOTE :

- SMART CARD READER FOR LOWER PROFILE HEIGHT OF 3.0 mm.
- TOTAL CIRCUIT RESISTANCE PER ONE LOOP SHALL NOT EXCEED 100 MILLIOHMS.
- MATERIALS :  
 CONTACTS : COPPER ALLOY, GOLD OVER NICKEL ON CONTACT AREA.  
 TOP PCB : FR4.  
 COVER : STAINLESS STEEL.
- ENVIRONMENT :  
 STORAGE TEMPERATURE : FROM -40°C TO 100°C.  
 OPERATION TEMPERATURE : FROM -40°C TO 85°C.

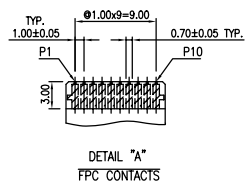
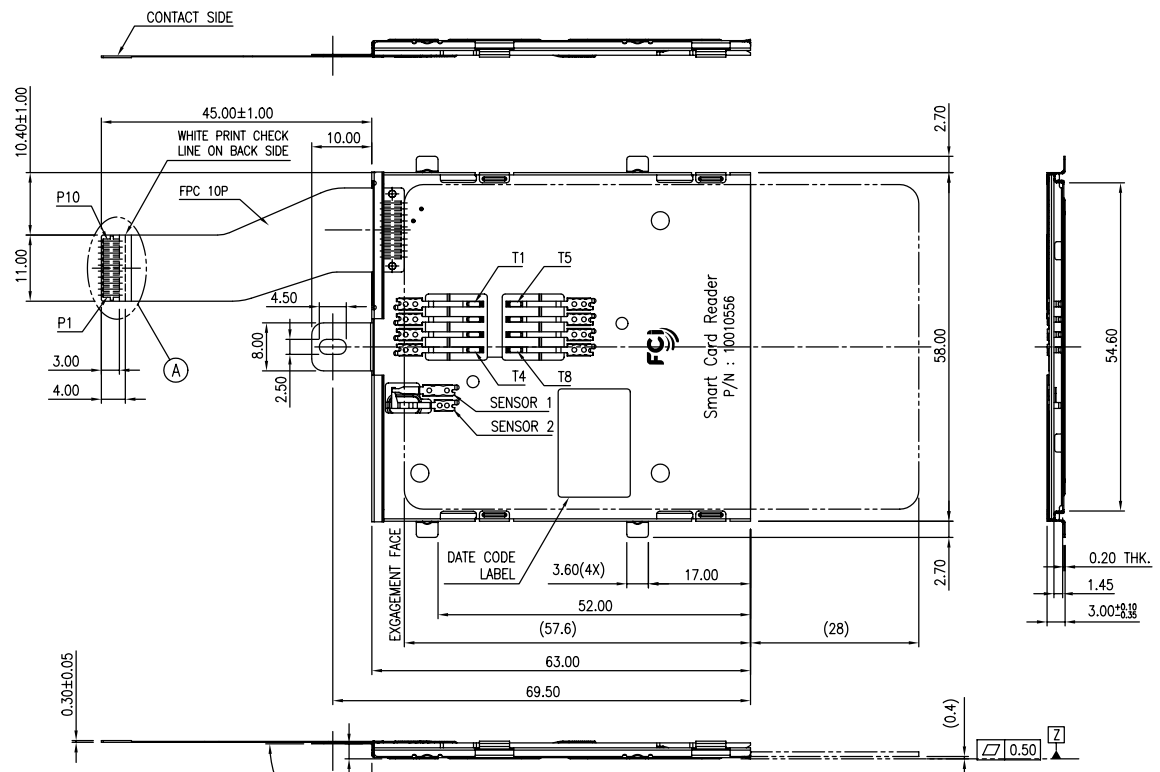
mat'l. code		tolerances unless otherwise specified		CUSTOMER COPY	FCI www.fciconnect.com	
tr	ecr no	dr	date			
R	N08-0136	SH	07/07/08	linear	.X ± 0.5	
S	N08-0212	SH	10/06/08		.XX ± 0.50	
S	N08-0212	SH	10/06/08		.XXX ± 0.10	
T	N09-0224	SH	7/15/09	angles	0° ± 2°	
U	N09-0306	SH	10/13/09	dr	A.JUANG 6/7'02	
V	N10-0058	SH	3/3/10	enqr	A.JUANG 6/7'02	
				chr	A.JUANG 6/7'02	
				app	JENN.TS40 6/7'02	
sheet index	revision sheet					

PDM: Rev:V STATUS: Released Printed: 2010-12-20 22:52

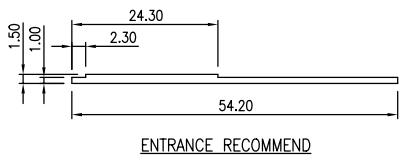
Tous droits strictement réservés. Reproduction ou communication, o des tiers interdite sous quelque forme que ce soit sans autorisation écrite du propriétaire. Propriété de © FCI ELECTRONICS. Droits de reproduction FCI ELECTRONICS INC.

All rights strictly reserved. Reproduction or issue to third parties, in any form whatever is not permitted without written authority from the proprietor. Property of © FCI ELECTRONICS. Copyright FCI ELECTRONICS INC.

PRODUCT NO.  
10010556-002LF



SMART CARD	TERMINAL	FPC	FUNC.
C4	T4	P1	RFU
C3	T3	P2	Clock
C2	T2	P3	Reset
C1	T1	P4	Vcc
SENSOR 1	SENSOR 1	P5	SENSOR
SENSOR 2	SENSOR 2	P6	SENSOR
C5	T5	P7	Gnd
C6	T6	P8	Vpp
C7	T7	P9	I/O
C8	T8	P10	RFU



mat'l. code		tolerances unless otherwise specified		CUSTOMER COPY		FCI	
lir	ecn no	dr	date	linear	projection	title	www.fciconnect.com
v				.XX ± .30	mm	SMART CARD READER ASSEMBLY	
				.XXX ± .10		product family	SMART PLUS
				Ø ± .2		size	no
		dr	A. JUNG	8/7/02		scale	A3
		enqr	A. JUNG	8/7/02		code	10010556
		chr	A. JUNG	8/7/02		sheet	2 of 18
		appd	JENN TSHO	8/7/02			
sheet index	revision sheet						

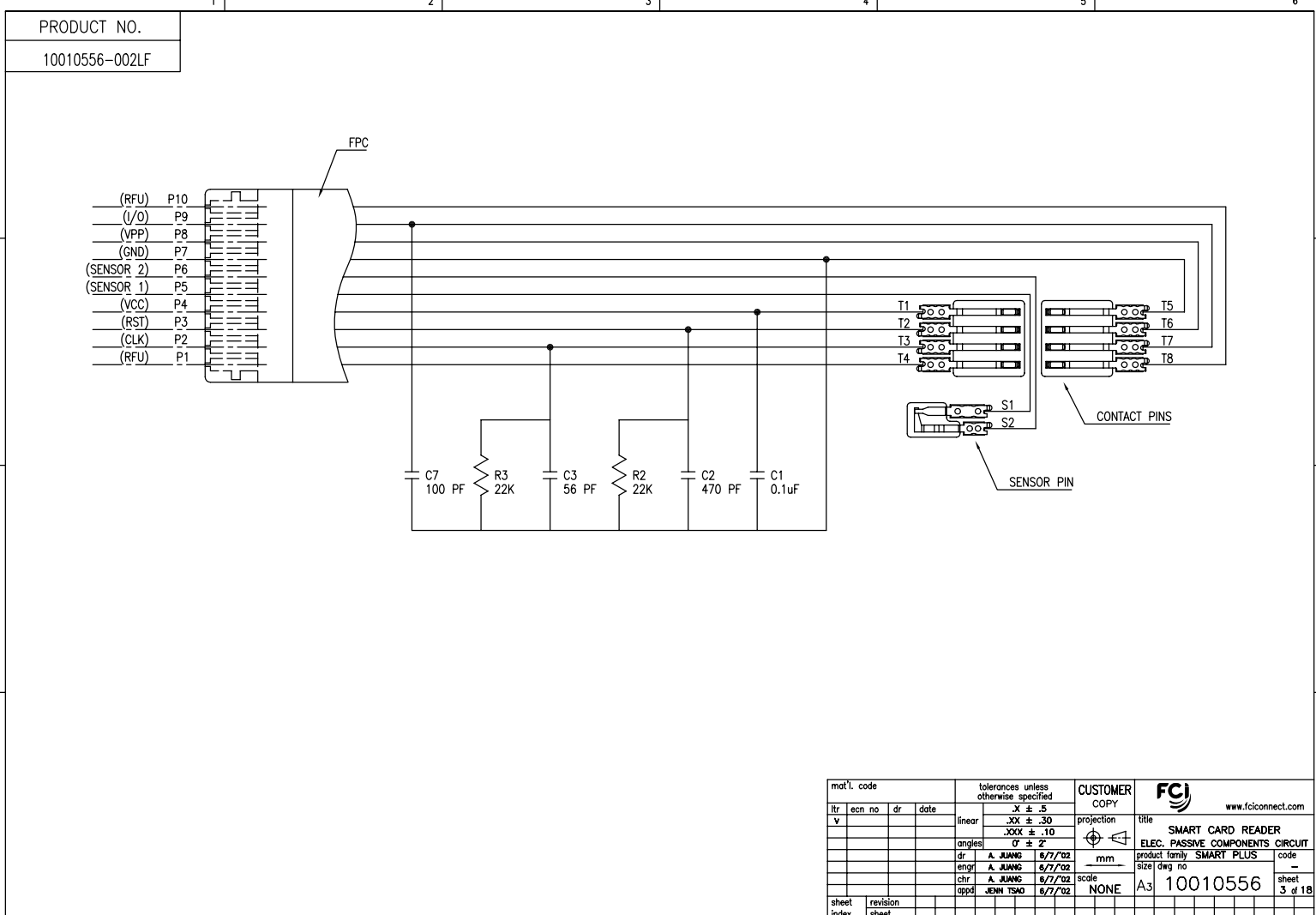
form no. 7530-001-103

PDM: Rev:V STATUS:Released Printed: 2010-12-20 22526

Tous droits strictement réservés. Reproduction ou communication a des tiers interdite sous quelque forme que ce soit sans autorisation écrite du propriétaire. Propriété de © FCI ELECTRONICS INC. Droits de reproduction FCI ELECTRONICS INC.



All rights strictly reserved. Reproduction or issue to third parties in any form whatever is not permitted without written authority from the proprietor. Property of © FCI ELECTRONICS INC. Copyright FCI ELECTRONICS INC.



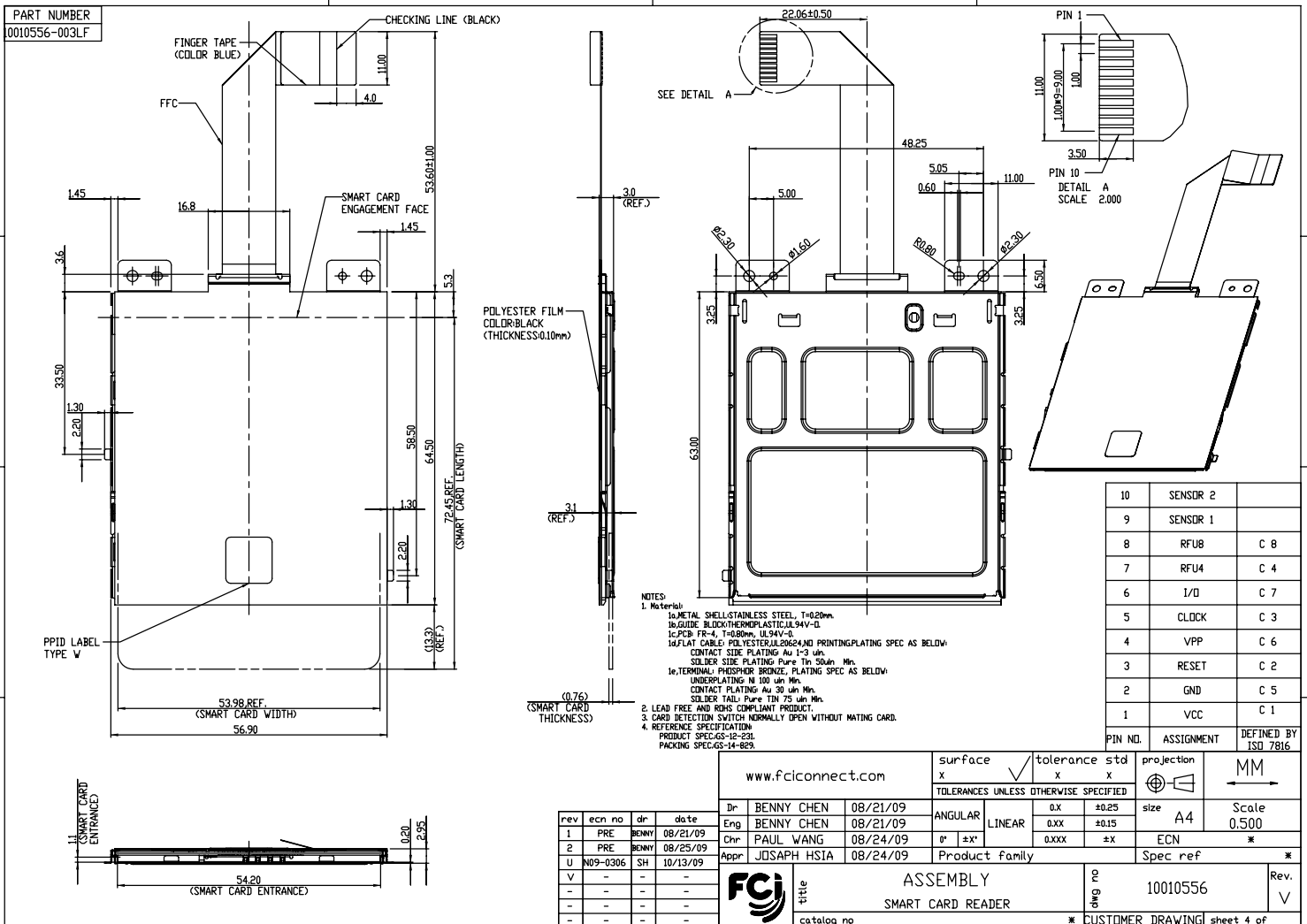
form no. 7530-001-103

mat'l. code		tolerances unless otherwise specified		CUSTOMER COPY		FCI www.fciconnect.com	
itr	ecn no	dr	date	linear	projection	title	
				.XX ± .30		SMART CARD READER	
				.XXX ± .10		ELEC. PASSIVE COMPONENTS CIRCUIT	
				angles	0° ± 2'	product family SMART PLUS	
		dr	A. JIANG	8/7/02	mm	size	dwg no
		enrg	A. JIANG	8/7/02	scale	10010556	
		chr	A. JIANG	8/7/02	NONE	A3	
		appd	JEM TSD	8/7/02		code	
sheet	revision					3 of 18	
index	sheet					10010556	

PDM: Rev:V STATUS: Released Pri: 10010556 12, 2010 6



Copyright FCI

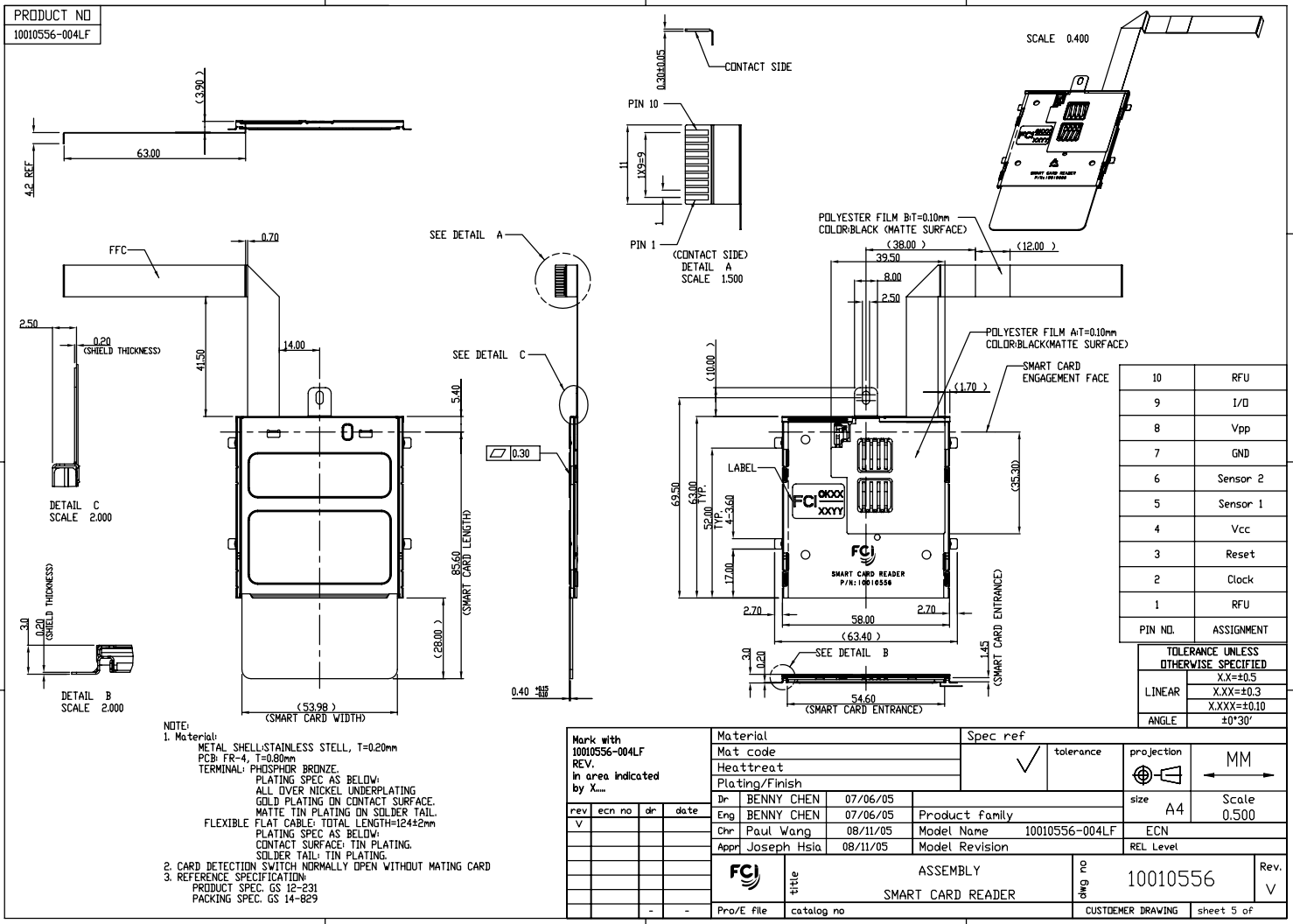


REV F - 0809-07

Tous droits strictement réservés. Reproduction ou communication à des tiers interdite sous quelque forme que ce soit sans autorisation écrite du propriétaire. Propriété de C.FCI. Droits de reproduction FCI.



All rights strictly reserved. Reproduction or issue to third parties in any form whatever is not permitted without written authority from the proprietor. Property of FCI. Copyright FCI.



PIN NO.	ASSIGNMENT
10	RFU
9	I/O
8	Vpp
7	GND
6	Sensor 2
5	Sensor 1
4	Vcc
3	Reset
2	Clock
1	RFU
PIN NO. ASSIGNMENT	

TOLERANCE UNLESS OTHERWISE SPECIFIED	
LINEAR	XX=±0.5 X.XX=±0.3 X.XXX=±0.10
ANGLE	±0°30'

NOTE:  
 1. Material:  
 METAL SHELL: STAINLESS STEEL, T=0.20mm  
 PCB: FR-4, T=0.80mm  
 TERMINAL: PHOSPHOR BRONZE  
 PLATING SPEC AS BELOW:  
 ALL OVER NICKEL UNDERPLATING  
 GOLD PLATING ON CONTACT SURFACE.  
 MATTE TIN PLATING ON SOLDER TAIL.  
 FLEXIBLE FLAT CABLE: TOTAL LENGTH=1244±2mm  
 PLATING SPEC AS BELOW:  
 CONTACT SURFACE: TIN PLATING.  
 SOLDER TAIL: TIN PLATING.  
 2. CARD DETECTION SWITCH NORMALLY OPEN WITHOUT MATING CARD  
 3. REFERENCE SPECIFICATION:  
 PRODUCT SPEC. GS 12-231  
 PACKING SPEC. GS 14-829

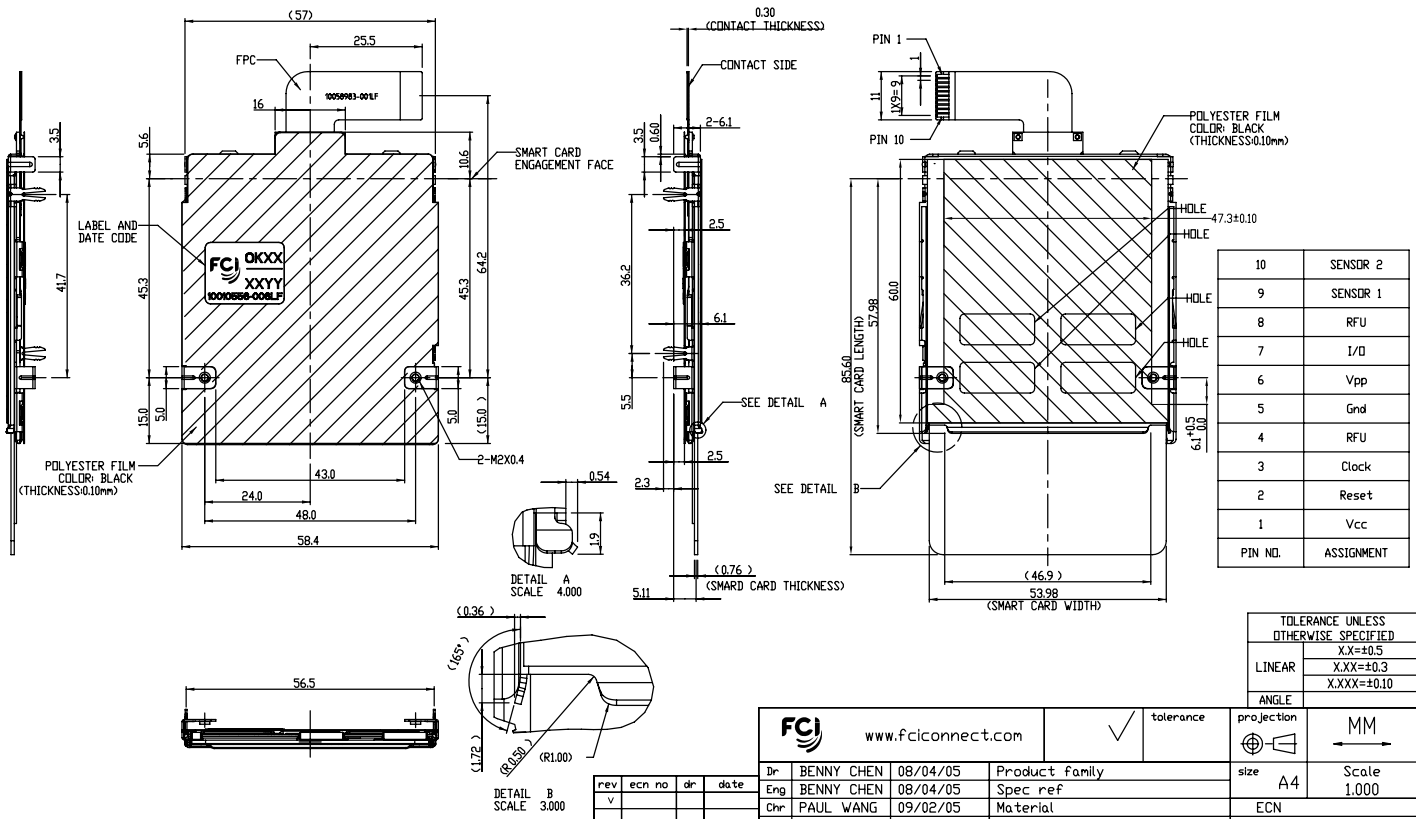
Mark with 10010556-004LF REV. in area indicated by X....				Material		Spec ref	
				Mat code		tolerance	
				Heattreat		projection	
				Plating/Finish		size	
rev	ecn no	dr	date	Dr	BENNY CHEN	07/06/05	
Eng	BENNY CHEN	07/06/05		Product family			
Chr	Paul Wang	08/11/05		Model Name	10010556-004LF		
Appr	Joseph Hsia	08/11/05		Model Revision	REL Level		
				title		Rev.	
				ASSEMBLY		10010556	
				SMART CARD READER		V	
				Pro/E file		catalog no	
						CUSTOMER DRAWING sheet 5 of	

Tous droits strictement réservés. Reproduction ou communication à des tiers interdite sous quelque forme que ce soit sans l'autorisation écrite préalable de FCI. Droits de reproduction FCI.



All rights strictly reserved. Reproduction or issue to third parties in any form whatever is not permitted without written permission of FCI. Copyright FCI.

PRODUCT NO  
10010556-006LF



rev	ecn no	dr	date
v			

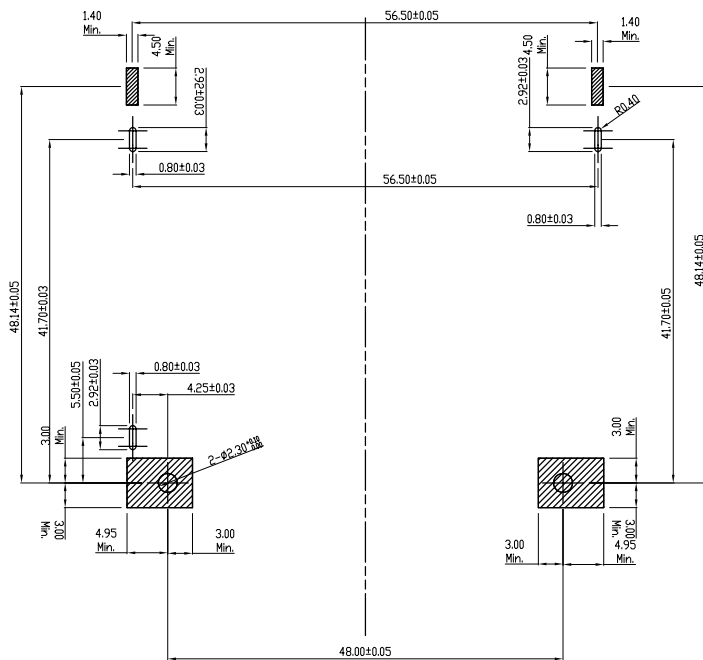
www.fciconnect.com		<input checked="" type="checkbox"/> tolerance	<input type="checkbox"/> projection	<input type="checkbox"/> MM
Dr BENNY CHEN 08/04/05 Product family		size A4 Scale 1.000		Rev. V
Eng BENNY CHEN 08/04/05 Spec ref		ECN		
Chr PAUL WANG 09/02/05 Material		title SMART CARD READER (FPC CABLE) ASSEMBLY		
Appr JOSEPH HSIA 09/02/05		catalog no	drawing no 10010556	sheet 6 of

Tous droits strictement reserves. Reproduction ou communication a des tiers interdite sous quelque forme que ce soit sans autorisation écrite du propriétaire. Propriete de c.FCI. Droits de reproduction FCI.

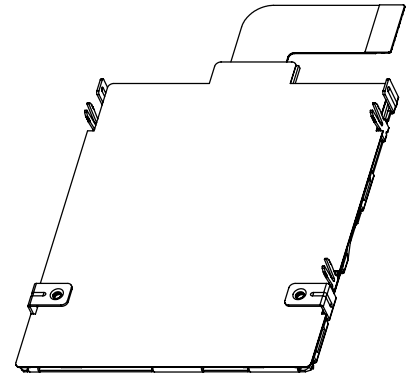


All rights strictly reserved. Reproduction or issue to third parties in any form whatever is not permitted without written authority from the proprietor. Property of FCI. Copyright FCI.

PRODUCT NO  
10010556-006LF



RECOMMENDED PCB LAYOUT  
(PCB THICKNESS: 1.2 mm)  
(MOUNTING SIDE)



- NOTE:  
1. MATERIAL:  
METAL SHELL: STAINLESS STEEL, T=0.40mm  
PCB: FR-4, T=0.80mm  
TERMINAL: PHOSPHOR BRONZE.  
PLATING SPEC AS BELOW:  
ALL OVER NICKEL UNDERPLATING  
GOLD PLATING ON CONTACT SURFACE.  
MATTE TIN PLATING ON SOLDER TAIL.  
FLEX CIRCUIT CABLE(FPC):  
PLATING SPEC AS BELOW:  
CONTACT SURFACE: GOLD FLASH PLATING.  
SOLDER TAIL: PURE TIN PLATING.  
2. CARD DETECTION SWITCH NORMALLY OPEN WITHOUT MATING CARD  
3. REFERENCE SPECIFICATION:  
PRODUCT SPEC. GS-12-231  
PACKING SPEC. GS-14-829

rev	ecn no	dr	date
V	-	-	-
-	-	-	-
-	-	-	-
-	-	-	-
-	-	-	-
-	-	-	-
-	-	-	-
-	-	-	-

FCI		www.fciconnect.com		tolerance	projection	MM
Dr	BENNY CHEN	08/04/05	Product family	size	A4	Scale 1.000
Eng	BENNY CHEN	08/04/05	Spec ref	ECN		
Chr	PAUL WANG	09/02/05	Material			
Appr	JOSEPH HSIA	09/02/05				
title				Rev. V	10010556	
ASSEMBLY				sheet 7 of		
catalog no						

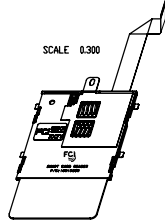
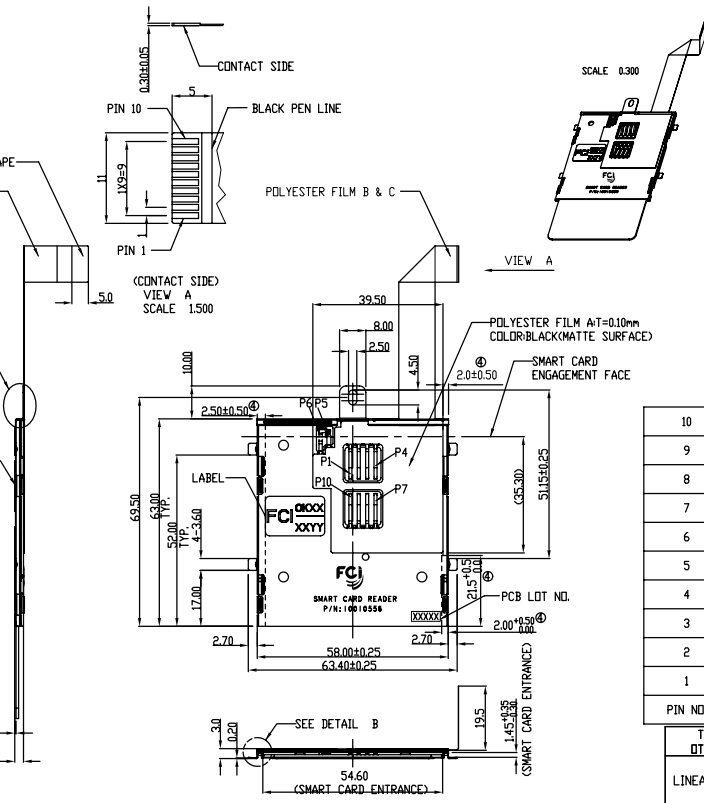
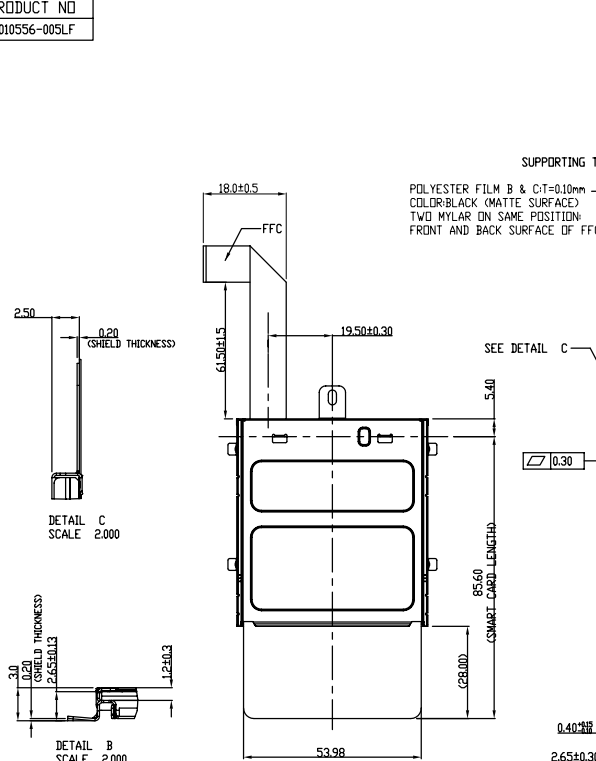
3 PDM: Rev:V STATUS: Released 4 Printed: Mar 12, 2010

Tous droits strictement réservés. Reproduction ou communication à des tiers interdite sous quelque forme que ce soit sans autorisation écrite du propriétaire. Propriété de C.FCI. Droits de reproduction FCI.



All rights strictly reserved. Reproduction or issue to third parties in any form whatever is not permitted without written authority from the proprietor. Property of FCI. Copyright FCI.

PRODUCT NO  
10010556-005LF



10	RFU
9	I/O
8	Vpp
7	GND
6	Sensor 2
5	Sensor 1
4	Vcc
3	Reset
2	Clock
1	RFU
PIN NO.	ASSIGNMENT

TOLERANCE UNLESS OTHERWISE SPECIFIED	
LINEAR	X.XX=±0.25 X.XXX=±0.13 X.XXX=±0.050
ANGLE	±0°30'

NOTE:  
1. Material:  
METAL SHELL: STAINLESS STEEL, T=0.20mm  
PCB: FR-4, T=0.80mm  
TERMINAL: PHOSPHOR BRONZE.  
PLATING SPEC AS BELOW:  
ALL OVER NICKEL UNDERPLATING  
GOLD PLATING ON CONTACT SURFACE.  
MATTE TIN PLATING ON SOLDER TAIL.  
FLEXIBLE FLAT CABLE: TOTAL LENGTH=103.5±2mm  
PLATING SPEC AS BELOW:  
CONTACT SURFACE: TIN PLATING.  
SOLDER TAIL: TIN PLATING.  
2. CARD DETECTION SWITCH NORMALLY OPEN WITHOUT MATING CARD  
3. REFERENCE SPECIFICATION:  
PRODUCT SPEC. GS 12-231  
PACKING SPEC. GS 14-829  
④ THE AREA IS PROHIBITED TO PASTE THE MYLAR AND LABEL.

Mark with 10010556-004LF REV. in area indicated by X....		Material		Spec ref	
		Mat code		tolerance	
		Heat treat		projection	
		Plating/Finish		size	
rev	ecn no	dr	date	Eng	DANIEL TAD 07/05/07
V				Chr	DANIEL TAD 07/05/07
				Product family	
				Model Name 10010556-005LF	
				Model Revision	
				REL Level	
FCI		title		Rev.	
		ASSEMBLY		10010556	
		SMART CARD READER		V	
Pro/E file		catalog no		CUSTOMER DRAWING	
				sheet 8 of	

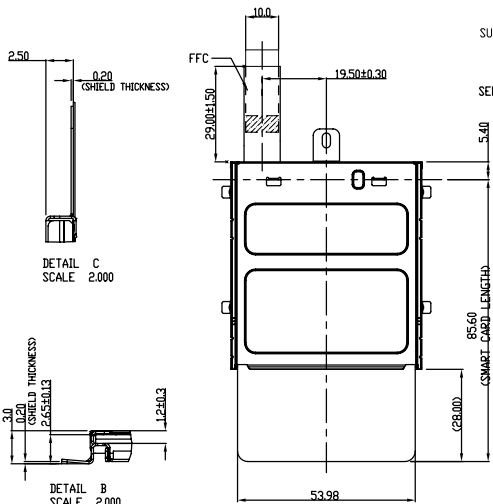
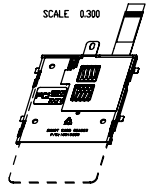
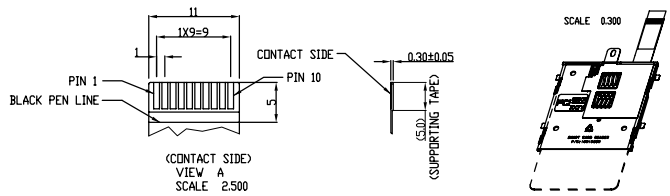


Tous droits strictement réservés. Reproduction ou communication à des tiers interdite sous quelque forme que ce soit sans autorisation écrite du propriétaire. Propriété de C.FCI. Droits de reproduction FCI.



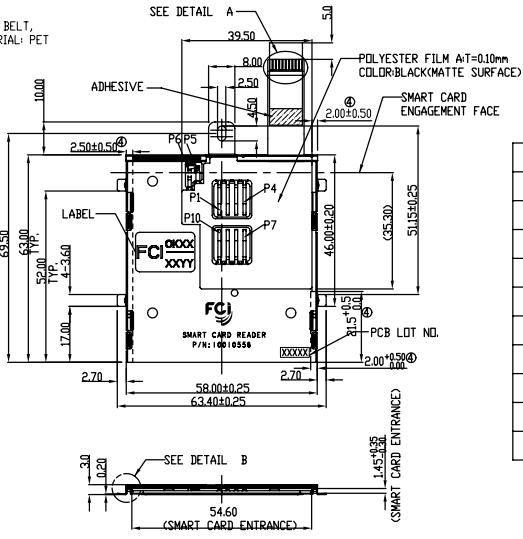
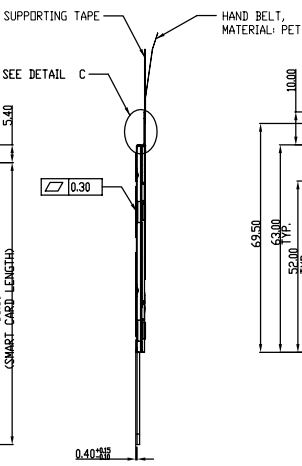
All rights strictly reserved. Reproduction or issue to third parties in any form whatever is not permitted without written authority from the proprietor. Property of FCI. Copyright FCI.

PRODUCT NO  
10010556-008LF



DETAIL C  
SCALE 2.000

DETAIL B  
SCALE 2.000



10	RFU
9	I/O
8	Vpp
7	GND
6	Sensor 2
5	Sensor 1
4	Vcc
3	Reset
2	Clock
1	RFU
PIN NO.	ASSIGNMENT

TOLERANCE UNLESS OTHERWISE SPECIFIED	
LINEAR	XX=±0.5 XXX=±0.3 XXX=±0.10
ANGLE	±0°30'

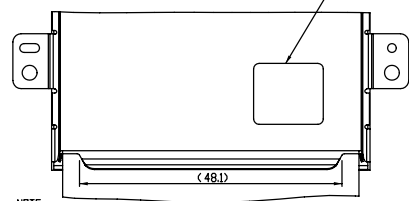
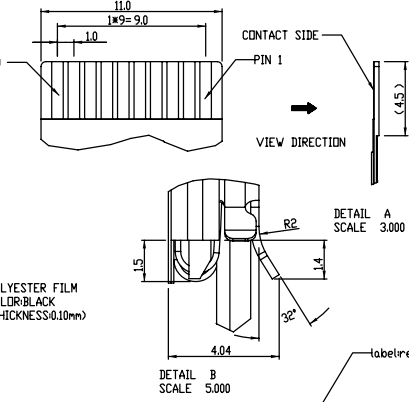
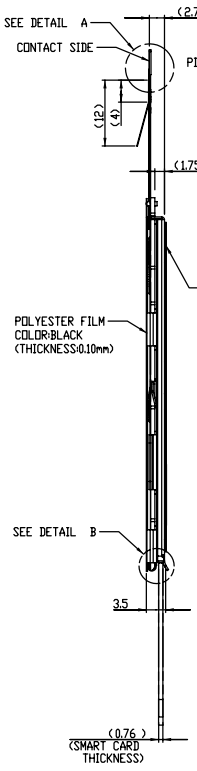
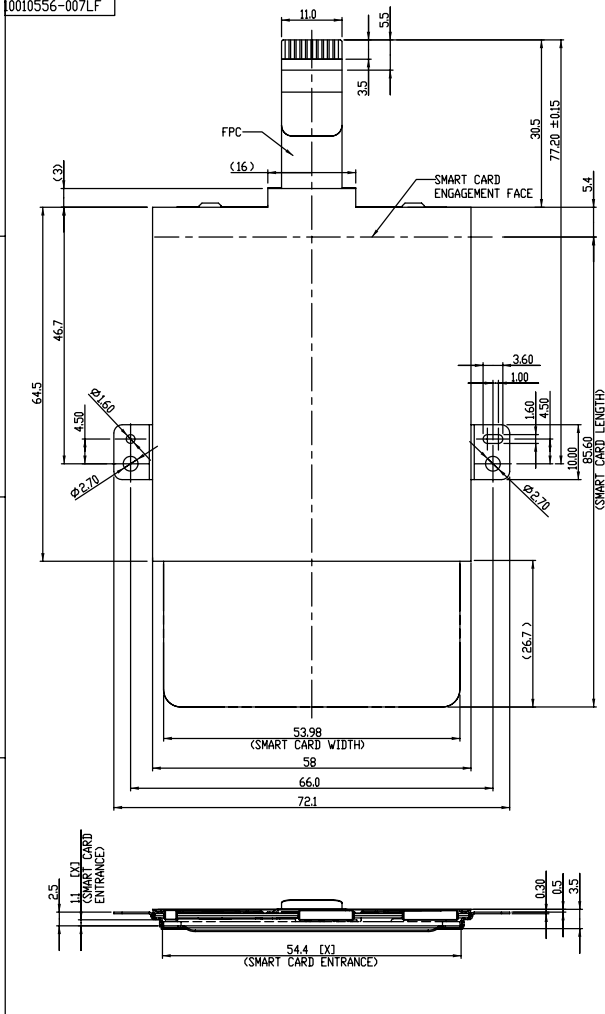
- NOTE:  
1. Material:  
METAL SHELL: STAINLESS STEEL, T=0.20mm  
PCB: FR-4, T=0.80mm  
TERMINAL: PHOSPHOR BRONZE.  
PLATING SPEC AS BELOW:  
ALL OVER NICKEL UNDERPLATING  
GOLD PLATING ON CONTACT SURFACE.  
MATTE TIN PLATING ON SOLDER TAIL.  
FLEXIBLE FLAT CABLE: TOTAL LENGTH=33.5±1mm  
PLATING SPEC AS BELOW:  
CONTACT SURFACE: TIN PLATING.  
SOLDER TAIL: TIN PLATING.  
2. CARD DETECTION SWITCH NORMALLY OPEN WITHOUT MATING CARD  
3. REFERENCE SPECIFICATION:  
PRODUCT SPEC. GS 12-231  
PACKING SPEC. GS 14-829  
④ THE AREA IS PROHIBITED TO PASTE THE MYLAR AND LABEL.

Mark with 10010556-004LF REV. in area indicated by X....		Material		Spec ref	
		Mat code		tolerance	
		Heat treat		projection	
		Plating/Finish		size	
rev	ecn no	dr	date	size	Scale
v				A4	0.500
		Br DANIEL TAD 07/05/07		Product family	
		Eng DANIEL TAD 07/05/07		Model Name 10010556-008LF	
		Chr DANIEL TAD 07/05/07		Model Revision	
		Appr JOSEPH HSIA 07/05/07		REL Level	
		FCI		title	
		ASSEMBLY		10010556	
		SMART CARD READER		Rev. V	
		Pro/E file catalog no		CUSTOMER DRAWING sheet 9 of	



Copyright FCI

PART NUMBER  
10010556-007LF



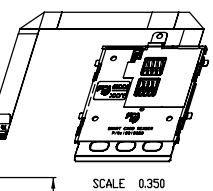
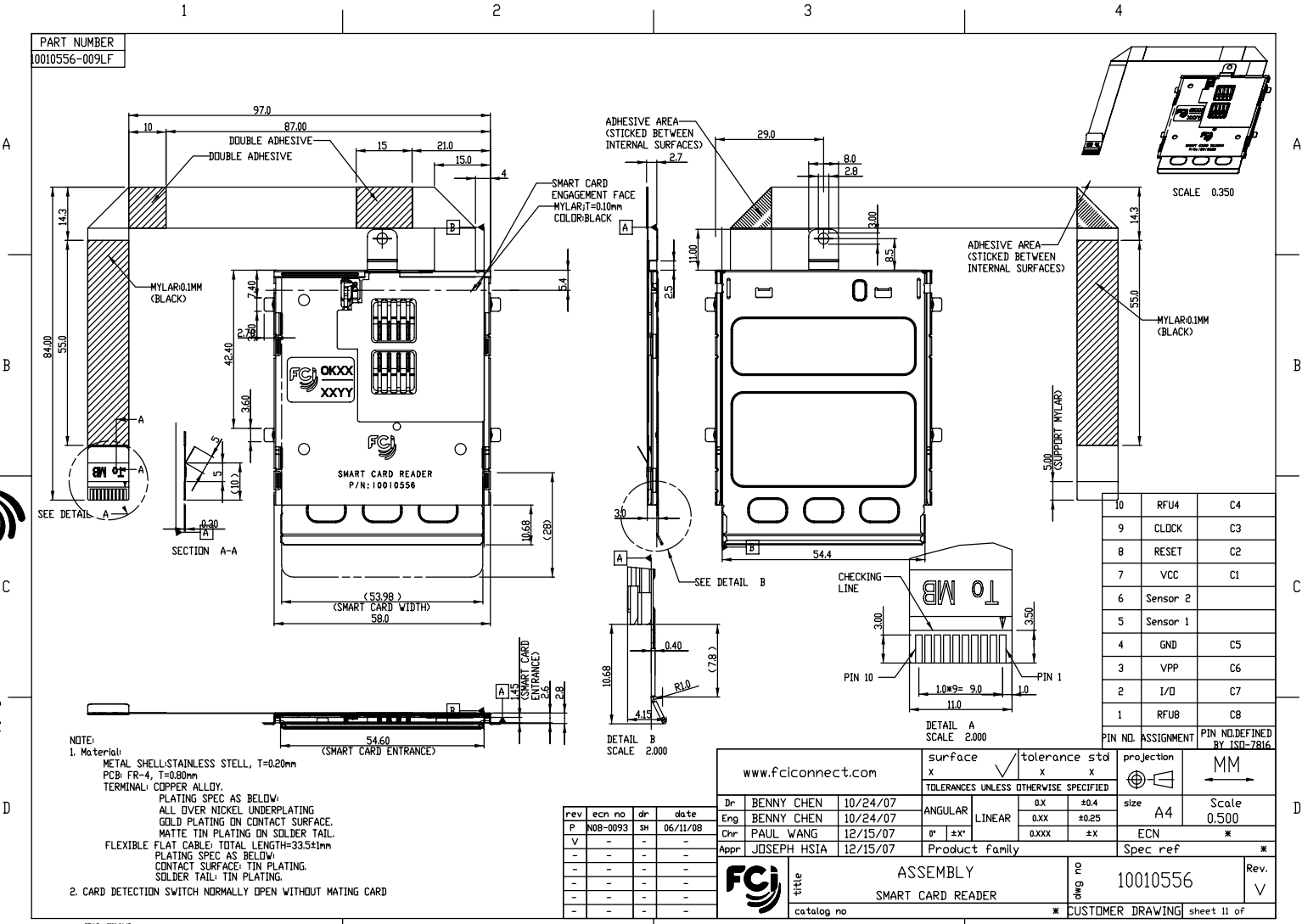
PIN NO.	ASSIGNMENT
10	SENSOR 2
9	SENSOR 1
8	RFU
7	I/O
6	VPP
5	GND
4	RFU
3	CLOCK
2	RESET
1	VCC

NOTE:  
1. Material:  
METAL SHELL: STAINLESS STEEL, T=0.30mm  
GUIDE BLOCK: THERMOPLASTIC, UL94V-0.  
PCB: FR-4, T=0.80mm, UL94V-0.  
PCB: POLYIMIDE, T=0.30mm, UL94V-0.  
FPC: POLYIMIDE, T=0.30mm, UL94V-0.  
PLATING SPEC AS BELOW:  
UNDERPLATING: Ni 50 uin Min.  
CONTACT SIDE PLATING: Au 3 uin Min.  
SOLDER SIDE PLATING: Pure Tin 100 uin Min.  
TERMINAL: COPPER ALLOY.  
PLATING SPEC AS BELOW:  
UNDERPLATING: Ni 50 uin Min.  
CONTACT PLATING: Au 30 uin Min.  
SOLDER TAIL: Pure TIN 75 uin Min.  
2. CARD DETECTION SWITCH NORMALLY OPEN WITHOUT MATING CARD  
3. REFERENCE SPECIFICATION  
PRODUCT SPEC: GS-12-231  
PACKING SPEC: GS-14-829.

rev	ecn no	dr	date
M	N08-0024	BENNY	03/05/08
N	N08-0045	BENNY	05/05/08
V			

www.fciconnect.com		surface	tolerance std	projection	MM
		x	x	x	
		TOLERANCES UNLESS OTHERWISE SPECIFIED			
Dr	BENNY CHEN	07/23/07	ANGULAR	0.X	±0.25
Eng	BENNY CHEN	07/23/07	LINEAR	0.XX	±0.15
Chr	PAUL WANG	09/10/07	0° ±3°	0.XXX	±
Appr	JOSEPH HSIA	09/11/07	Product family	ECN	*
				Spec ref	*
FCI		ASSEMBLY		part no	10010556
		SMART CARD READER		Rev.	V
catalog no		* CUSTOMER DRAWING		sheet 10 of	

PART NUMBER  
10010556-009LF



10	RFU4	C4
9	CLOCK	C3
8	RESET	C2
7	VCC	C1
6	Sensor 2	
5	Sensor 1	
4	GND	C5
3	VPP	C6
2	I/O	C7
1	RFU8	C8

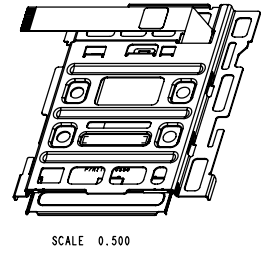
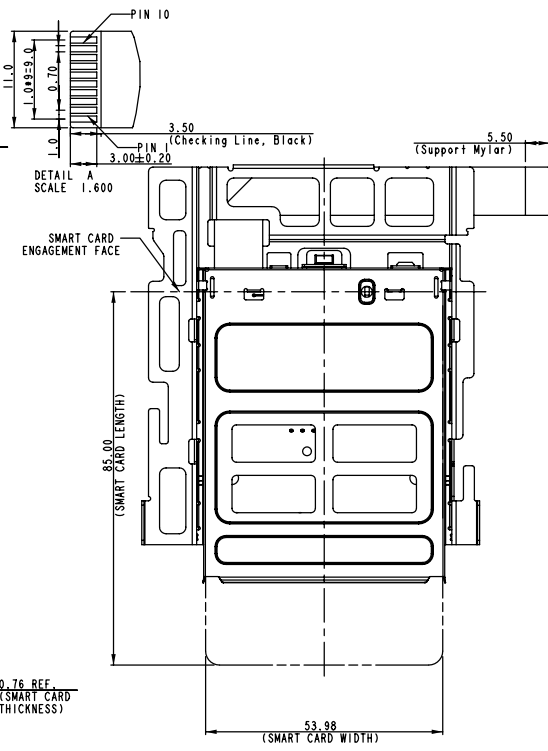
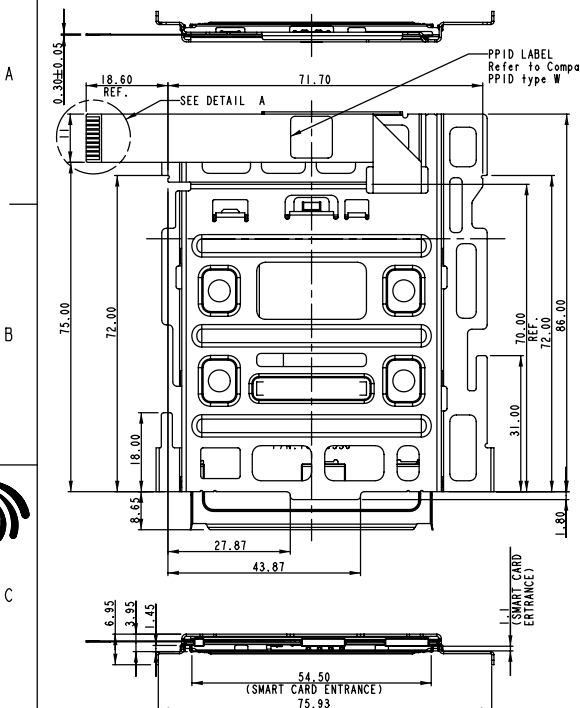
PIN NO. ASSIGNMENT PIN NO. DEFINED BY ISO-7816

NOTE:  
1. Material:  
METAL SHELL: STAINLESS STEEL, T=0.20mm  
PCB: FR-4, T=0.60mm  
TERMINAL: COPPER ALLOY.  
PLATING SPEC AS BELOW:  
ALL OVER NICKEL UNDERPLATING  
GOLD PLATING ON CONTACT SURFACE.  
MATTE TIN PLATING ON SOLDER TAIL.  
FLEXIBLE FLAT CABLE: TOTAL LENGTH=33.5±1mm  
PLATING SPEC AS BELOW:  
CONTACT SURFACE: TIN PLATING.  
SOLDER TAIL: TIN PLATING.  
2. CARD DETECTION SWITCH NORMALLY OPEN WITHOUT MATING CARD

rev	ecn no	dr	date
P	N08-0093	SH	06/11/08
V	-	-	-
-	-	-	-
-	-	-	-
-	-	-	-
-	-	-	-

www.fciconnect.com		surface	tolerance	std	projection	MM
Dr	BENNY CHEN	10/24/07	x	x	x	
Eng	BENNY CHEN	10/24/07	ANGULAR	LINEAR	0.X	±0.4
Chr	PAUL WANG	12/15/07	TOLERANCES UNLESS OTHERWISE SPECIFIED		0.XX	±0.25
Appr	JOSEPH HSIA	12/15/07	0°	±X°	0.XXX	±X
Product family		Spec ref		ECN		
ASSEMBLY		10010556		Rev. V		
SMART CARD READER		* CUSTOMER DRAWING		sheet 11 of		

PART NUMBER  
10010556-010LF



PIN NO.	ASSIGNMENT	PIN NO. DEFINED BY ISO-7816
10	VCC	C1
9	Reset	C2
8	Clock	C3
7	RFU4	C4
6	Gnd	C5
5	VPP	C6
4	I/O	C7
3	RFU8	C8
2	SENSOR 2	
1	SENSOR 1	

NOTE:  
1. Material:  
METAL SHELL: STAINLESS STEEL  
BRACKET: STEEL  
GUIDE BLOCK: THERMOPLASTIC, UL94V-0.  
PCB: FR-4, T=0.80mm, UL94V-0.  
FFC: POLYESTER, UL20624.  
PLATING SPEC AS BELOW:  
CONTACT SIDE PLATING: GOLD.  
SOLDER SIDE PLATING: Pure Tin.  
TERMINAL: COPPER ALLOY.  
PLATING SPEC AS BELOW:  
UNDERPLATING: NICKEL.  
CONTACT PLATING: GOLD.  
SOLDER TAIL: Pure TIN.  
2. CARD DETECTION SWITCH NORMALLY OPEN WITHOUT MATING CARD  
3. REFERENCE SPECIFICATION:  
PRODUCT SPEC.: GS-12-231.  
PACKING SPEC.: GS-14-829.

rev	ecn no	dr	date
P	N08-0093	SH	06/11/08
R	N08-0136	SH	07/01/08
S	N08-0212	SH	10/06/08
V	-	-	-
-	-	-	-
-	-	-	-

www.fciconnect.com		surface	tolerance std	projection	MM
Dr	BENNY CHEN	02/05/08	X	X	
Eng	BENNY CHEN	02/05/08	TOLERANCES UNLESS OTHERWISE SPECIFIED		
Chr	PAUL WANG	02/13/08	ANGULAR	LINEAR	size A4 Scale 1.000
Appr	JOSEPH HSIA	02/15/08	0° ±X	0.X ±0.3	ECN *
Product family		Product family		Spec ref *	
FCj		ASSEMBLY		10010556	
catalog no		SMART CARD READER		Rev. V	
		* CUSTOMER DRAWING		sheet 12 of 12	

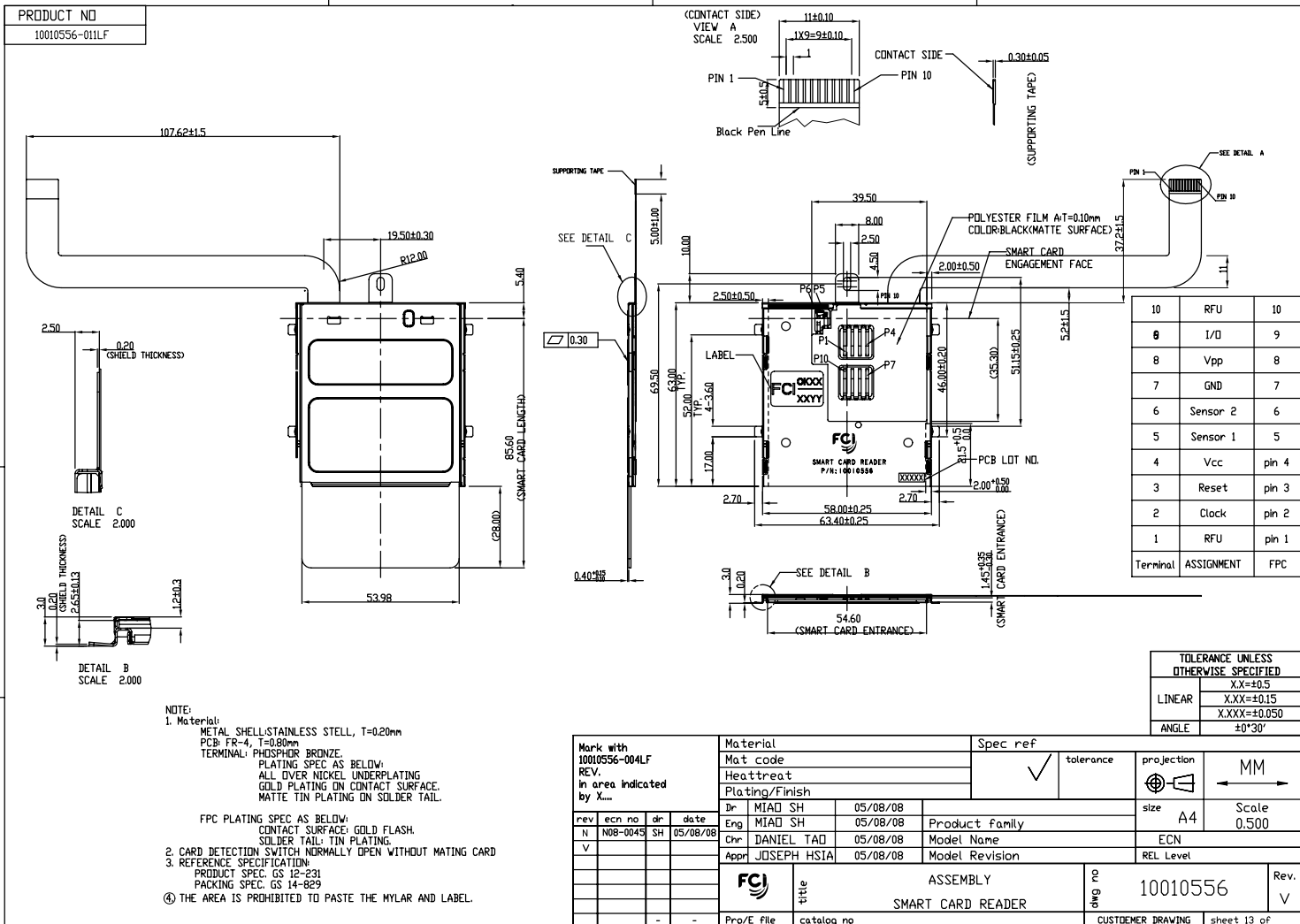


Copyright FCj.

Tous droits strictement réservés. Reproduction ou communication à des tiers interdite sous quelque forme que ce soit sans autorisation écrite du propriétaire. Propriété de C.FCI. Droits de reproduction FCI.



All rights strictly reserved. Reproduction or issue to third parties in any form whatever is not permitted without written authority from the proprietor. Property of FCI. Copyright FCI.



NOTE:  
 1. Material:  
 METAL SHELL: STAINLESS STEEL, T=0.20mm  
 PCB: FR-4, T=0.80mm  
 TERMINAL: PHOSPHOR BRONZE.  
 PLATING SPEC AS BELOW:  
 ALL OVER NICKEL UNDERPLATING  
 GOLD PLATING ON CONTACT SURFACE.  
 MATTE TIN PLATING ON SOLDER TAIL.  
 FPC PLATING SPEC AS BELOW:  
 CONTACT SURFACE: GOLD FLASH.  
 SOLDER TAIL: TIN PLATING.  
 2. CARD DETECTION SWITCH NORMALLY OPEN WITHOUT MATING CARD  
 3. REFERENCE SPECIFICATION:  
 PRODUCT SPEC. GS 12-231  
 PACKING SPEC. GS 14-829  
 ④ THE AREA IS PROHIBITED TO PASTE THE MYLAR AND LABEL.

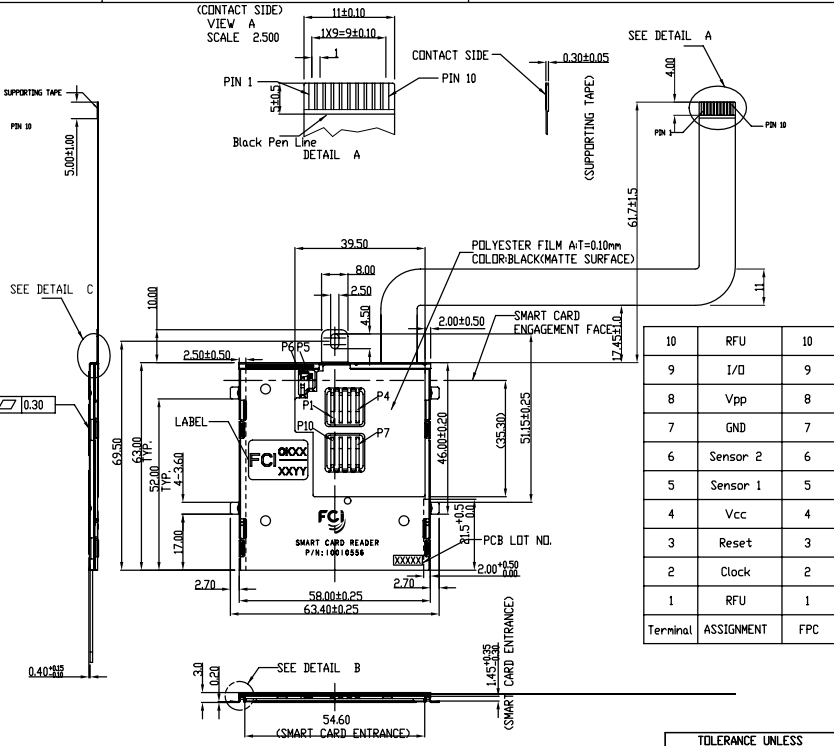
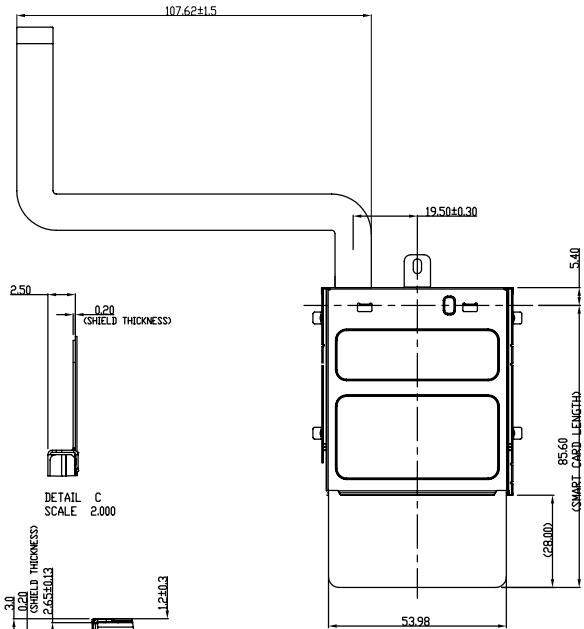
Mark with 10010556-004LF REV. in area indicated by X....		Material		Spec ref	
rev		Mat code		tolerance	
N N08-0049 SH 05/08/08		Heattreat		projection	
V		Plating/Finish		size	
		Br MIAD SH 05/08/08		A4	
		Eng MIAD SH 05/08/08		Scale	
		Chr DANIEL TAD 05/08/08		0.500	
		Appr JOSEPH HSIA 05/08/08		ECN	
				REL Level	
		FCI		title	
				ASSEMBLY	
				SMART CARD READER	
		Pro/E file		Rev. V	
		catalog no		drawing no	
				10010556	
				CUSTOMER DRAWING	
				sheet 13 of	

Tous droits strictement réservés. Reproduction ou communication à des tiers interdite sous quelque forme que ce soit sans autorisation écrite du propriétaire. Propriété de FCI. Droits de reproduction FCI.



All rights strictly reserved. Reproduction or issue to third parties in any form whatever is not permitted without written authority from the proprietor. Property of FCI. Copyright FCI.

PRODUCT NO  
10010556-012LF



10	RFU	10
9	I/O	9
8	Vpp	8
7	GND	7
6	Sensor 2	6
5	Sensor 1	5
4	Vcc	4
3	Reset	3
2	Clock	2
1	RFU	1
Terminal	ASSIGNMENT	FPC

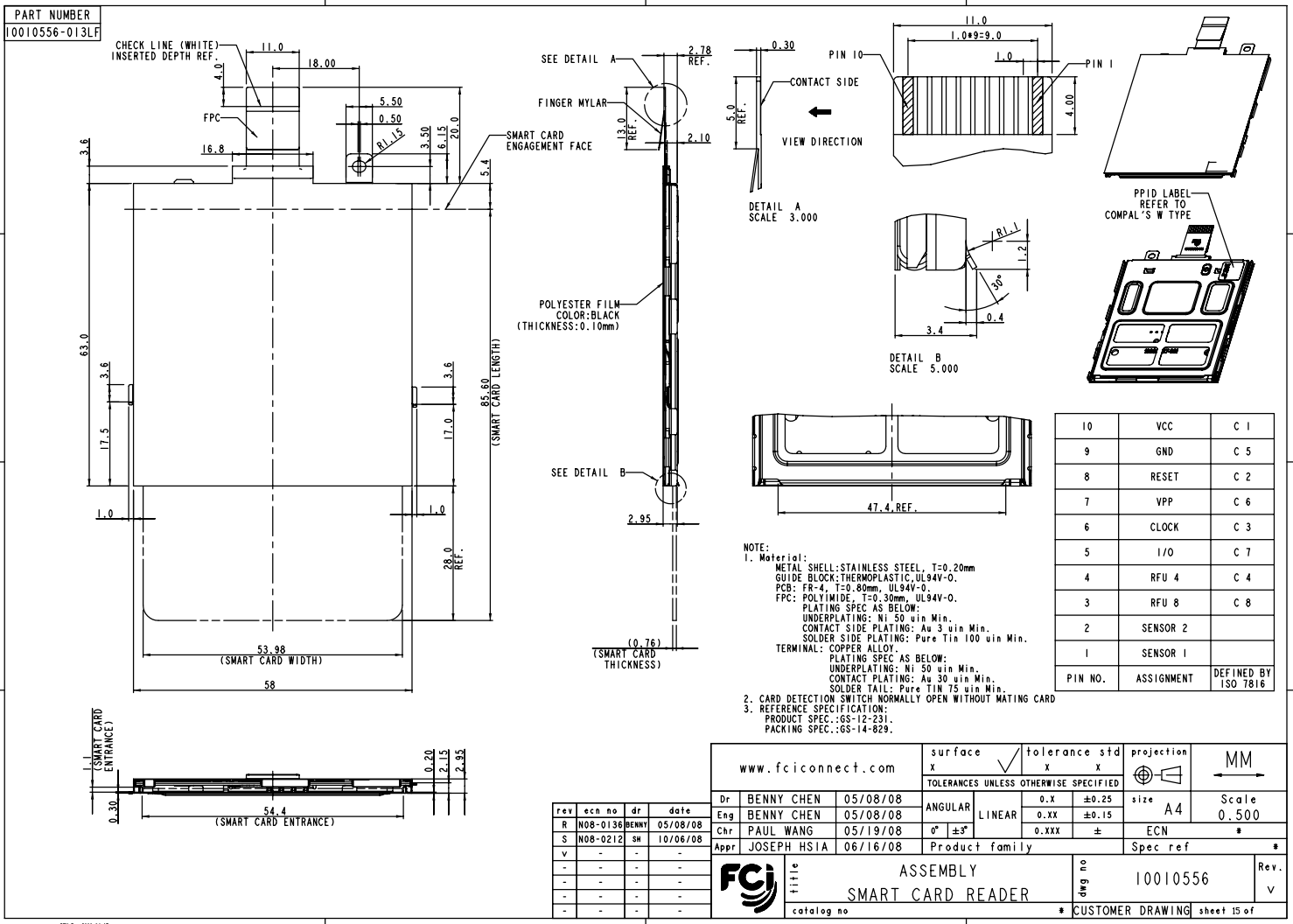
TOLERANCE UNLESS OTHERWISE SPECIFIED	
LINEAR	XX=±0.5 X.XX=±0.15 X.XXX=±0.050
ANGLE	±0°30'

- NOTE:  
1. Material:  
METAL SHELL: STAINLESS STEEL, T=0.20mm  
PCB: FR-4, T=0.80mm  
TERMINAL: PHOSPHOR BRONZE.  
PLATING SPEC AS BELOW:  
ALL OVER NICKEL UNDERPLATING  
GOLD PLATING ON CONTACT SURFACE.  
MATTE TIN PLATING ON SOLDER TAIL.  
FPC PLATING SPEC AS BELOW:  
CONTACT SURFACE: GOLD FLASH.  
SOLDER TAIL: TIN PLATING.  
2. CARD DETECTION SWITCH NORMALLY OPEN WITHOUT MATING CARD  
3. REFERENCE SPECIFICATION:  
PRODUCT SPEC. GS 12-231  
PACKING SPEC. GS 14-829  
4. THE AREA IS PROHIBITED TO PASTE THE MYLAR AND LABEL.

Mark with 10010556-004LF REV. in area indicated by X...		Material	Spec ref	tolerance	projection	MM
rev ecn no dr date		Br	MIAD SH	05/08/08	size	A4
N N08-0045 SH 05/08/08		Eng	MIAD SH	05/08/08	Product family	Scale 0.500
V		Chr	DANIEL TAD	05/08/08	Model Name	10010556-008LF
		Appr	JOSEPH HSTA	05/08/08	Model Revision	ECN
					REL Level	
		FCI	title	ASSEMBLY	eng no	10010556
				SMART CARD READER	Rev.	V
		Pro/E file	catalog no		CUSTOMER DRAWING	sheet 14 of



Copyright FCI.



REV F - 2004-06-17

rev	ecn no	dr	date
R	N08-0136	BENNY	05/08/08
S	N08-0212	SH	10/06/08
v	-	-	-
-	-	-	-
-	-	-	-
-	-	-	-

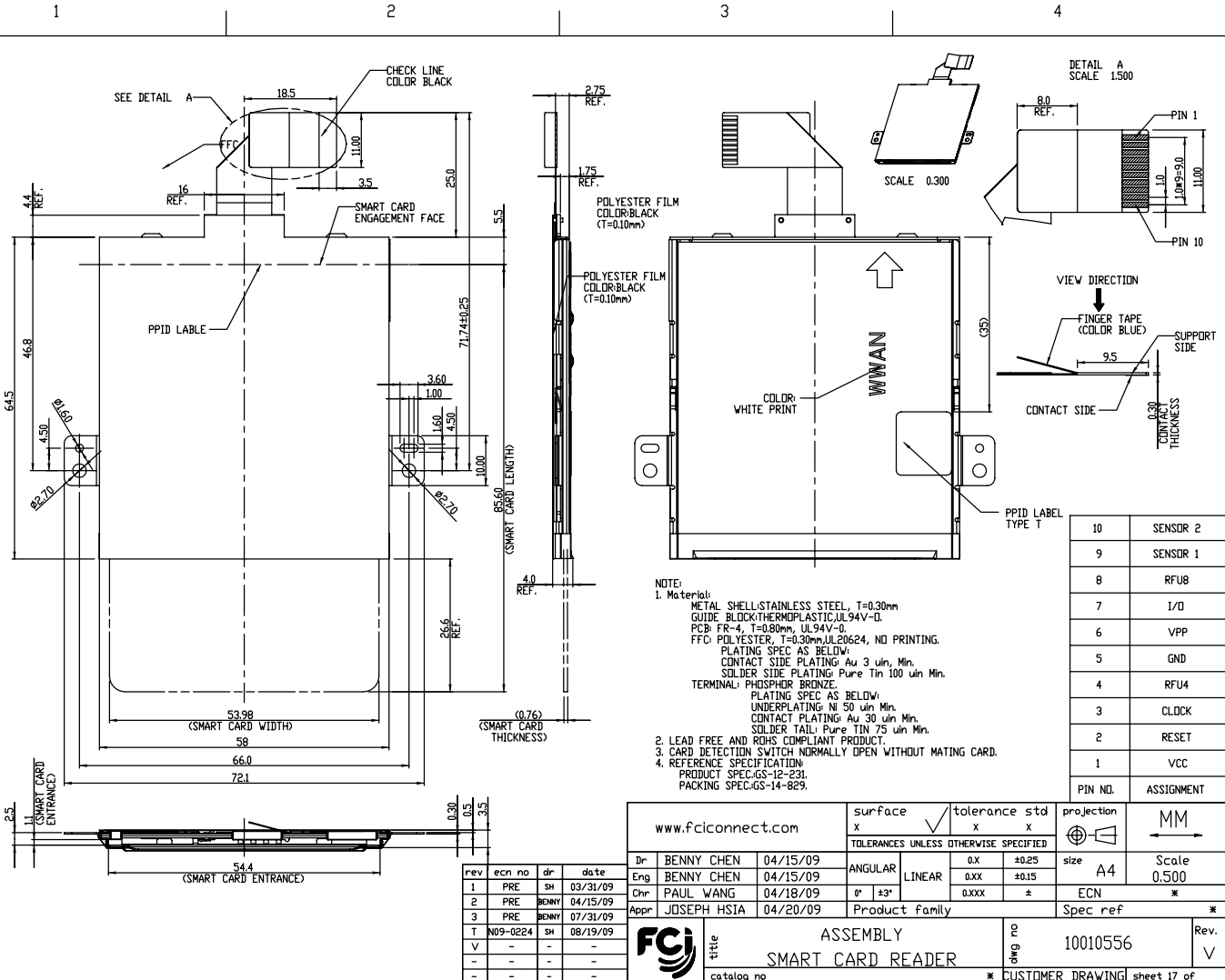
www.fciconnect.com		surface	tolerance	std	projection	MM
Dr	BENNY CHEN	05/08/08	ANGULAR	LINEAR	MM	Scale 0.500
Eng	BENNY CHEN	05/08/08	0.X	±0.25	size A4	
Chr	PAUL WANG	05/19/08	0.XX	±0.15	ECN	*
Appr	JOSEPH HSIA	06/16/08	0.XXX	±	Spec ref	*
Product family		Product family		Spec ref		
FCI		ASSEMBLY		10010556		
title		SMART CARD READER		Rev. v		
catalog no		CUSTOMER DRAWING		sheet 15 of		

3 PDM: Rev:V STATUS:Released 4 Printed: Mar 12, 2010





PART NUMBER  
10010556-01SLF



PIN NO.	ASSIGNMENT
10	SENSOR 2
9	SENSOR 1
8	RFUB
7	I/D
6	VPP
5	GND
4	RFU4
3	CLOCK
2	RESET
1	VCC

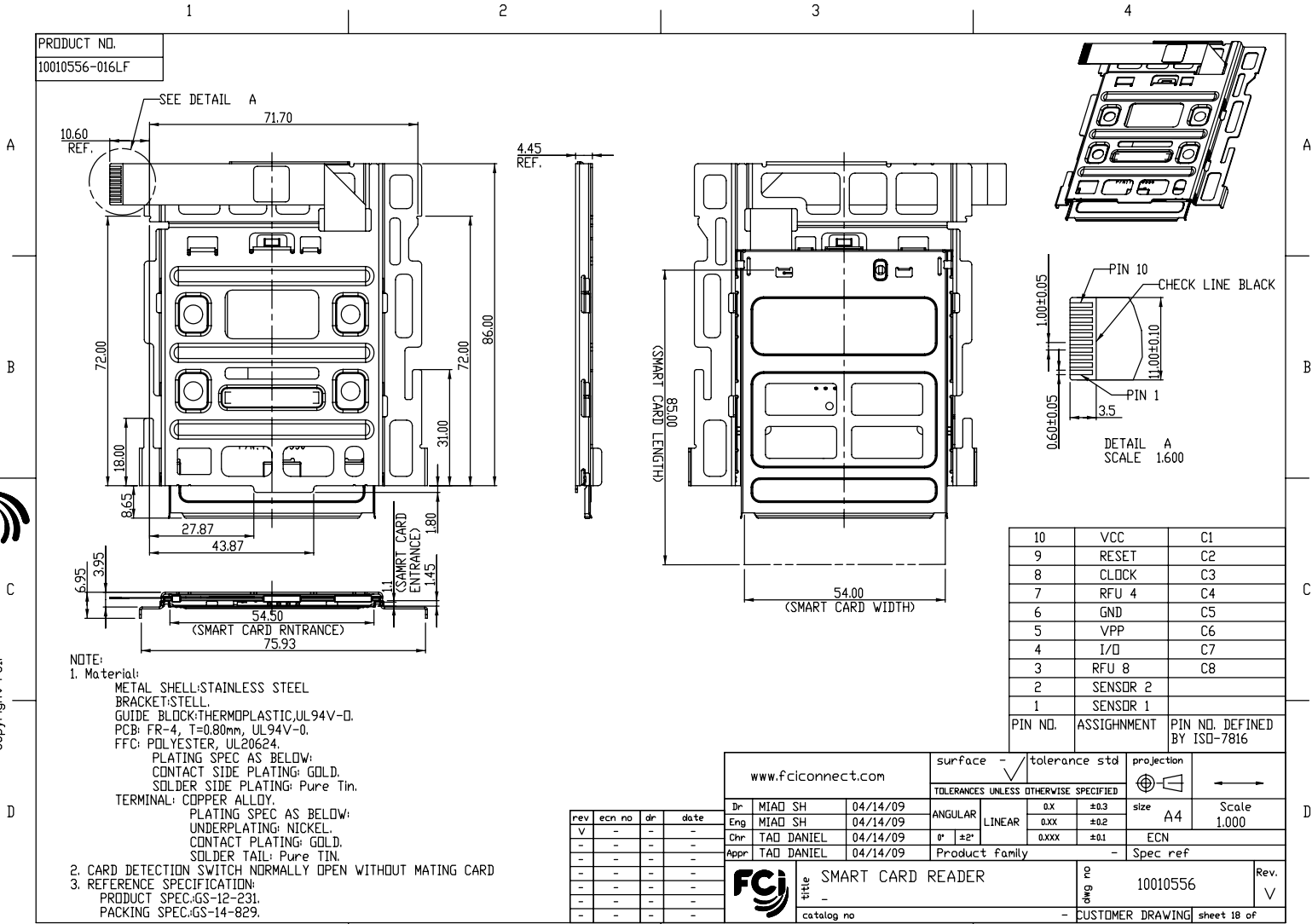
www.fciconnect.com		surface	tolerance std	projection	MM
Dr	BENNY CHEN	04/15/09	x	x	
Eng	BENNY CHEN	04/15/09	ANGULAR	LINEAR	Scale 0.500
Chr	PAUL WANG	04/18/09	0° ±3°	0.0x ±0.25	size A4
Appr	JOSEPH HSIA	04/20/09	0.0xx ±0.15	0.0xx ±	ECN *
Product family		Spec ref		*	
title		ASSEMBLY		10010556	
Smart Card Reader		Rev. V		* CUSTOMER DRAWING sheet 17 of	

rev	ecn no	dr	date
1	PRE	SH	03/31/09
2	PRE	BENNY	04/15/09
3	PRE	BENNY	07/31/09
T	N09-0224	SH	08/19/09
V	-	-	-
-	-	-	-
-	-	-	-



Copyright FCI.

PRODUCT NO.  
10010556-016LF



NOTE:

1. Material:

METAL SHELL: STAINLESS STEEL  
 BRACKET: STEEL  
 GUIDE BLOCK: THERMOPLASTIC, UL94V-0.  
 PCB: FR-4, T=0.80mm, UL94V-0.  
 FFC: POLYESTER, UL20624.  
 PLATING SPEC AS BELOW:  
 CONTACT SIDE PLATING: GOLD.  
 SOLDER SIDE PLATING: Pure Tin.  
 TERMINAL: COPPER ALLOY.  
 PLATING SPEC AS BELOW:  
 UNDERPLATING: NICKEL.  
 CONTACT PLATING: GOLD.  
 SOLDER TAIL: Pure TIN.

2. CARD DETECTION SWITCH NORMALLY OPEN WITHOUT MATING CARD  
 3. REFERENCE SPECIFICATION:  
 PRODUCT SPEC: GS-12-231.  
 PACKING SPEC: GS-14-829.

10	VCC	C1
9	RESET	C2
8	CLOCK	C3
7	RFU 4	C4
6	GND	C5
5	VPP	C6
4	I/O	C7
3	RFU 8	C8
2	SENSOR 2	
1	SENSOR 1	
PIN NO.	ASSIGNMENT	PIN NO. DEFINED BY ISO-7816

www.fciconnect.com		surface	tolerance std	projection	
		ANGULAR	LINEAR	size	Scale
		0° ±2°	0XX ±0.2	A4	1.000
		Product family	-	ECN	
				Spec ref	
FCJ		title SMART CARD READER		part no	10010556
		catalog no		-	CUSTOMER DRAWING sheet 18 of

rev	ecn no	dr	date
V	-	-	-
-	-	-	-
-	-	-	-
-	-	-	-
-	-	-	-
-	-	-	-



Copyright FCJ

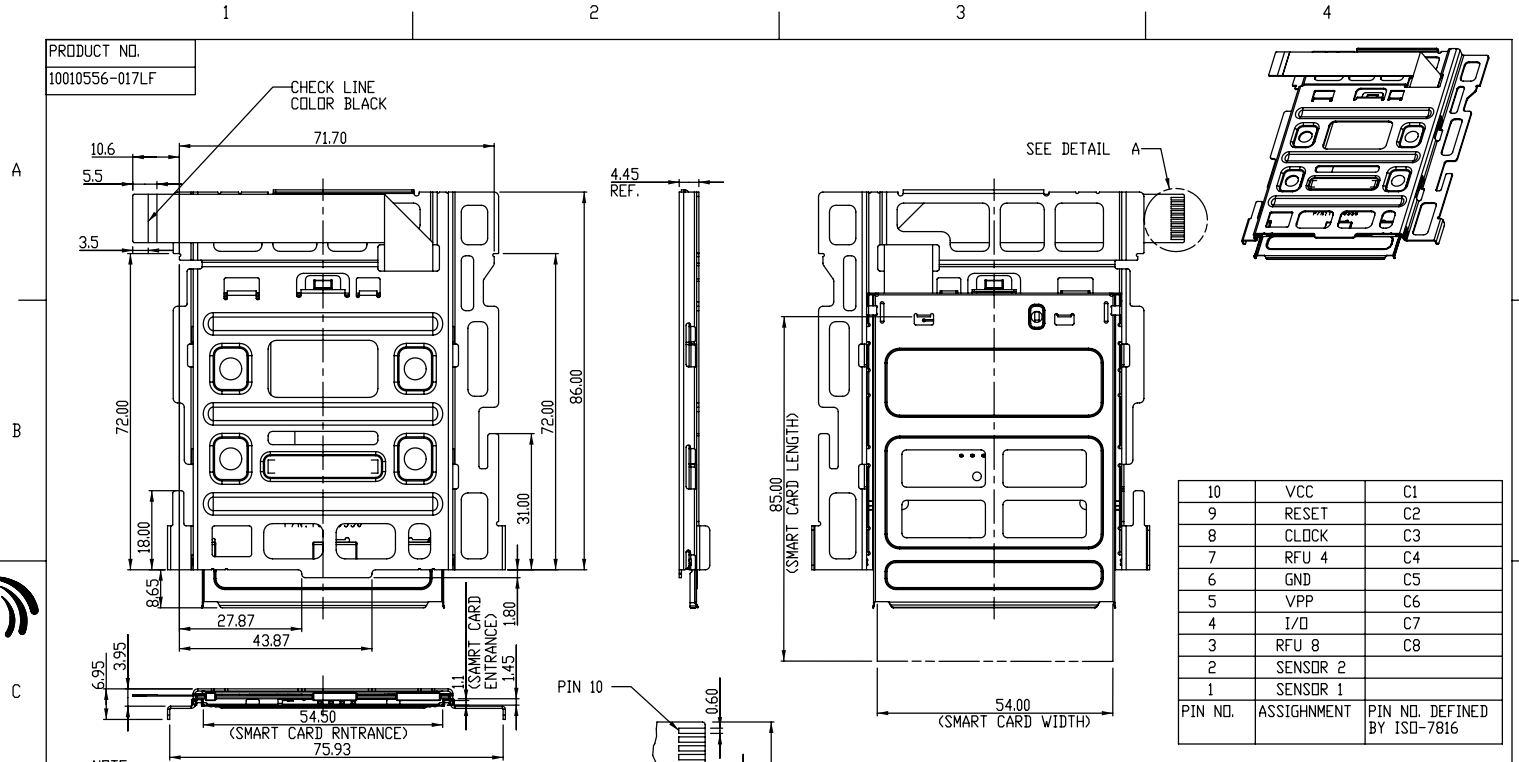
D



Copyright FCJ

PRODUCT NO.  
10010556-017LF

CHECK LINE  
COLOR BLACK



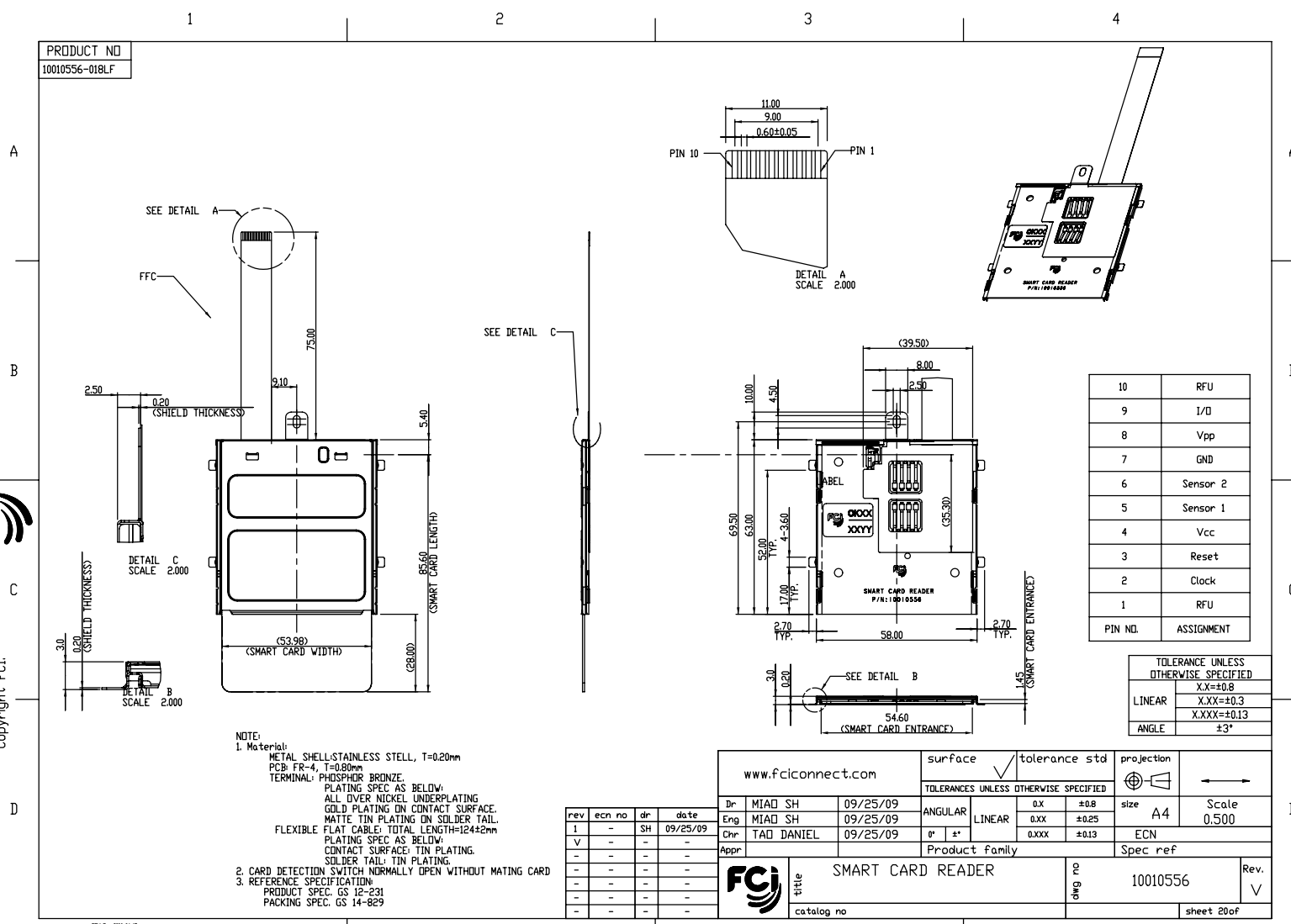
10	VCC	C1
9	RESET	C2
8	CLOCK	C3
7	RFU 4	C4
6	GND	C5
5	VPP	C6
4	I/O	C7
3	RFU 8	C8
2	SENSOR 2	
1	SENSOR 1	
PIN NO.	ASSIGNMENT	PIN NO. DEFINED BY ISO-7816

NOTE:  
1. Material:  
METAL SHELL: STAINLESS STEEL  
BRACKET: STEEL  
GUIDE BLOCK: THERMOPLASTIC, UL94V-0.  
PCB: FR-4, T=0.80mm, UL94V-0.  
FFC: POLYESTER, UL20624.  
PLATING SPEC AS BELOW:  
CONTACT SIDE PLATING: GOLD FLASH 0.076µm MIN.  
SOLDER SIDE PLATING: MATTE TIN.  
TERMINAL: COPPER ALLOY.  
PLATING SPEC AS BELOW:  
UNDERPLATING: NICKEL.  
CONTACT PLATING: GOLD 0.76µm MIN.  
SOLDER TAIL: MATTE TIN.  
2. CARD DETECTION SWITCH NORMALLY OPEN WITHOUT MATING CARD  
3. REFERENCE SPECIFICATION:  
PRODUCT SPEC: GS-12-231.  
PACKING SPEC: GS-14-829.

rev	ecn no	dr	date
1	N09-XXXX	SH	04/14/09
2	-	SH	07/16/09
V	-	-	-
-	-	-	-
-	-	-	-
-	-	-	-

www.fciconnect.com		surface	tolerance std	projection	
Dr MIAD SH 04/14/09		ANGULAR	±0.3	size A4	Scale 1.000
Eng MIAD SH 04/14/09		LINEAR	±0.2	ECN	
Chr TAD DANIEL 04/14/09		0° ±2°	±0.1	Spec ref	
Appr TAD DANIEL 04/14/09		Product family	-		
FCJ title SMART CARD READER		part no	10010556	Rev.	V
catalog no		-	CUSTOMER DRAWING	sheet 19 of	

PRODUCT NO  
10010556-018LF



10	RFU
9	I/O
8	Vpp
7	GND
6	Sensor 2
5	Sensor 1
4	Vcc
3	Reset
2	Clock
1	RFU
PIN NO.	ASSIGNMENT

TOLERANCE UNLESS OTHERWISE SPECIFIED	
LINEAR	X.X=±0.8 X.XX=±0.3 X.XXX=±0.13
ANGLE	±3°

NOTE:  
1. Material:  
METAL SHELL: STAINLESS STEEL, T=0.20mm  
PCB: FR-4, T=0.80mm  
TERMINAL: PHOSPHOR BRONZE.  
PLATING SPEC AS BELOW:  
ALL OVER NICKEL UNDERPLATING  
GOLD PLATING ON CONTACT SURFACE.  
MATTIE TIN PLATING ON SOLDER TAIL.  
FLEXIBLE FLAT CABLE: TOTAL LENGTH=124±2mm  
PLATING SPEC AS BELOW:  
CONTACT SURFACE: TIN PLATING.  
SOLDER TAIL: TIN PLATING.  
2. CARD DETECTION SWITCH NORMALLY OPEN WITHOUT MATING CARD  
3. REFERENCE SPECIFICATION:  
PRODUCT SPEC. GS 12-231  
PACKING SPEC. GS 14-829

rev	ecn no	dr	date
1	-	SH	09/25/09
V	-	-	-
-	-	-	-
-	-	-	-
-	-	-	-
-	-	-	-
-	-	-	-

www.fciconnect.com		surface	tolerance std	projection	
Dr	MIAD SH	09/25/09	ANGULAR	LINEAR	size A4
Eng	MIAD SH	09/25/09	0° ±*	±0.8 ±0.25 ±0.13	Scale 0.500
Chr	TAD DANIEL	09/25/09	Product family	ECN	
Appr				Spec ref	
FCj		title SMART CARD READER		cat no	10010556
				Rev.	V
				sheet	20 of

Copyright FCj