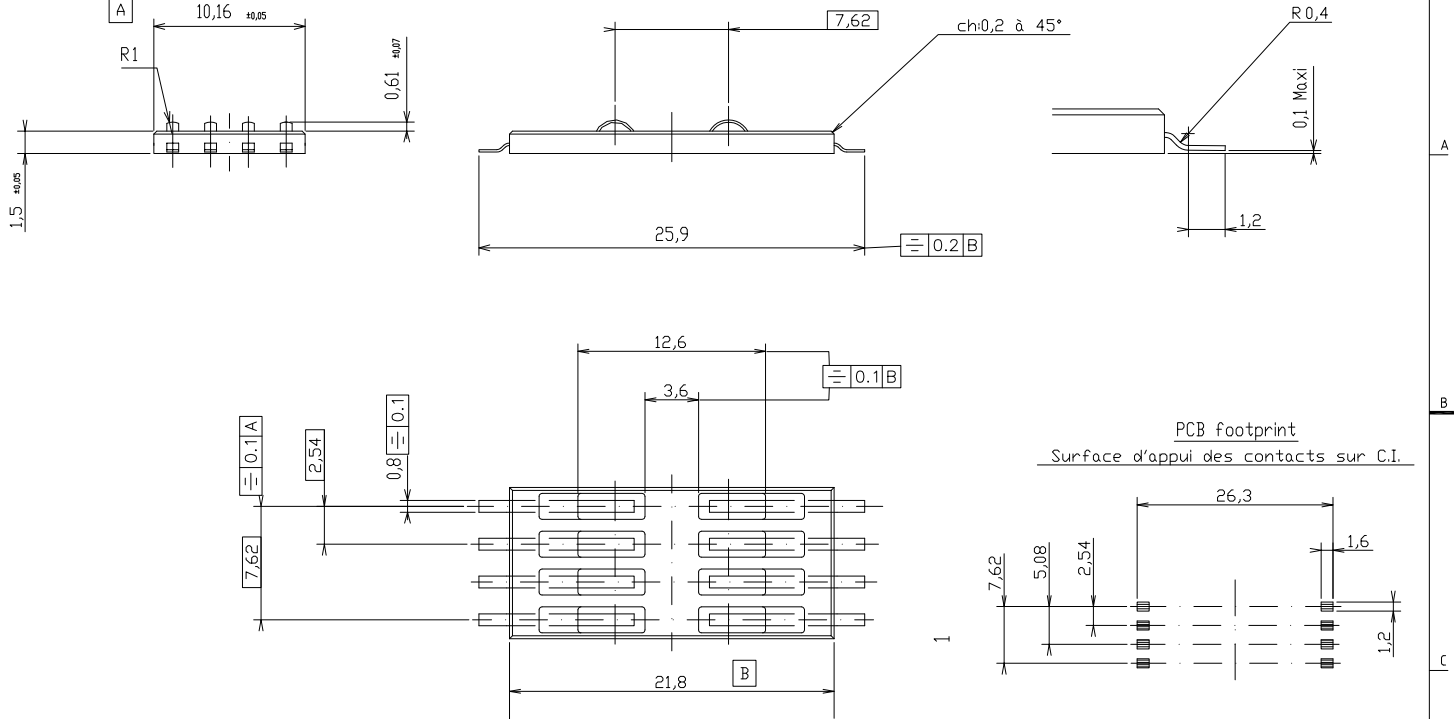


CATALOGUE NUMBER	LEAD FREE VERSION
7111S0625X01	7111S0625X01LF
7311S0625X01	7311S0625X01LF



LEAD FREE VERSION:

*This product meets European Union Directives and other country regulations as described in GS-22-008'

The housing will withstand exposure to 260°C peak temperature for 10seconds in a convection reflow oven.

Sn Matte plating on solder tail for Lead Free Versions Tol.Gén: 0mm à 10mm ±0,1mm
 10 à 30mm ±0,15mm
 30 à 60mm ±0,2mm
 60mm et plus ±0,3mm

mat'l. code		surface	tolerance	projection	product family
		ISO 1302	ISO 406 ISO 1101		SMARTCARD
tr		tolerances unless otherwise specified			title
A	F20307	DLE	2002/04/30	mm	S06
B	I05-0167	NT	2005/09/23	mm	VXX27869
C	I06-0078	DTK	2006/06/19	scale 1:1	
		angles	linear		dwg no
		dr	D LEGRAND	2002/04/30	sheet 1 of 1
		enrg	F TISSERAND	2002/04/30	size
		chr	DILPHOMAS	2006/06/19	VJW 53713
		appd	DILPHOMAS	2006/06/19	A3
sheet index	revision sheet	C			type
	1				CUSTOMER COPY Drawing



Copyright FCI