

DESCRIPTION : ABOVE PCB, DECK AND PUSH ROD LOCATION ARE AS VIEW BY USER.

PRODUCT NO.	PUSH ROD LOCATION	DECK CLOSEST TO PCB	DECK FARTHEST TO PCB	STAND-OFF HEIGHT	CLOSEST TO PCB		FARTHEST FROM PCB		MATING RECEPTACLE	P.C.B SIDE	RECOMMENDED P.C.B LAYOUT (SEE PAGE 6&7)	MOUNT STYLE TO PCB AND PUSH ROD SIDE
					EJ HDR ASS'Y	EJ HDR ASS'Y	EJ HDR ASS'Y	EJ HDR ASS'Y				
(A) 95562-****					(B)	(C)			(D)			
200CA/200CALF	RIGHT	RIGHT	RIGHT	0.0	95620-002CA/002CALF	95547-005CA/005CALF	RECEPTACLE PART NO. 91931-31169LF	ABOVE		LAYOUT 1		
220CALF	RIGHT	RIGHT	RIGHT	2.2	95547-020CALF	95547-025CALF				LAYOUT 2		
240CALF	RIGHT	RIGHT	RIGHT	4.3	95547-040CALF	95547-045CALF				LAYOUT 3		
241CALF	RIGHT	RIGHT	RIGHT	4.3	95547-041CALF	95547-045CALF				LAYOUT 3		
250CALF	RIGHT	RIGHT	RIGHT	5.0	95547-050CALF	95547-055CALF				LAYOUT 3		
300CA	LEFT	LEFT	LEFT	0.0	95620-102CA	95547-105CA				LAYOUT 1		
320CALF	LEFT	LEFT	LEFT	2.2	95547-120CALF	95547-125CALF				LAYOUT 2		
340CALF	LEFT	LEFT	LEFT	4.3	95547-140CALF	95547-145CALF				LAYOUT 3		
350CALF	LEFT	LEFT	LEFT	5.0	95547-150CALF	95547-155CALF				LAYOUT 3		
700CA	RIGHT	RIGHT	RIGHT	0.0	95620-502CA	95547-505CA				RECEPTACLE PART NO. 91931-31169LF		BELOW
720CALF	RIGHT	RIGHT	RIGHT	2.2	95547-520CALF	95547-525CALF	LAYOUT 5					
740CALF	RIGHT	RIGHT	RIGHT	4.3	95547-540CALF	95547-545CALF	LAYOUT 6					
750CALF	RIGHT	RIGHT	RIGHT	5.0	95547-550CALF	95547-555CALF	LAYOUT 6					
800CA	LEFT	LEFT	LEFT	0.0	95620-602CA	95547-605CA	LAYOUT 4					
820CALF	LEFT	LEFT	LEFT	2.2	95547-620CALF	95547-625CALF	LAYOUT 5					
840CALF	LEFT	LEFT	LEFT	4.3	95547-640CALF	95547-645CALF	LAYOUT 6					
850CALF	LEFT	LEFT	LEFT	5.0	95547-650CALF	95547-655CALF	LAYOUT 6					

ORDERING INFORMATION

NAME	PART NO.	Q'TY
(A) EJECT HEADER ASS'Y	95562-****LF	1
(D) MATING RECEPTACLE	91931-31169LF	2

OR

ORDERING INFORMATION

NAME	PART NO.	Q'TY
(B) DECK CLOSEST TO PCB	95547-****LF	1
(C) DECK FARTHEST FROM PCB	95547-****LF	1
(D) MATING RECEPTACLE	91931-31169LF	2

OR

ORDERING INFORMATION

NAME	PART NO.	Q'TY
(B) DECK CLOSEST TO PCB	95620-****LF	1
(C) DECK FARTHEST FROM PCB	95547-****LF	1
(D) MATING RECEPTACLE	91931-31169LF	1

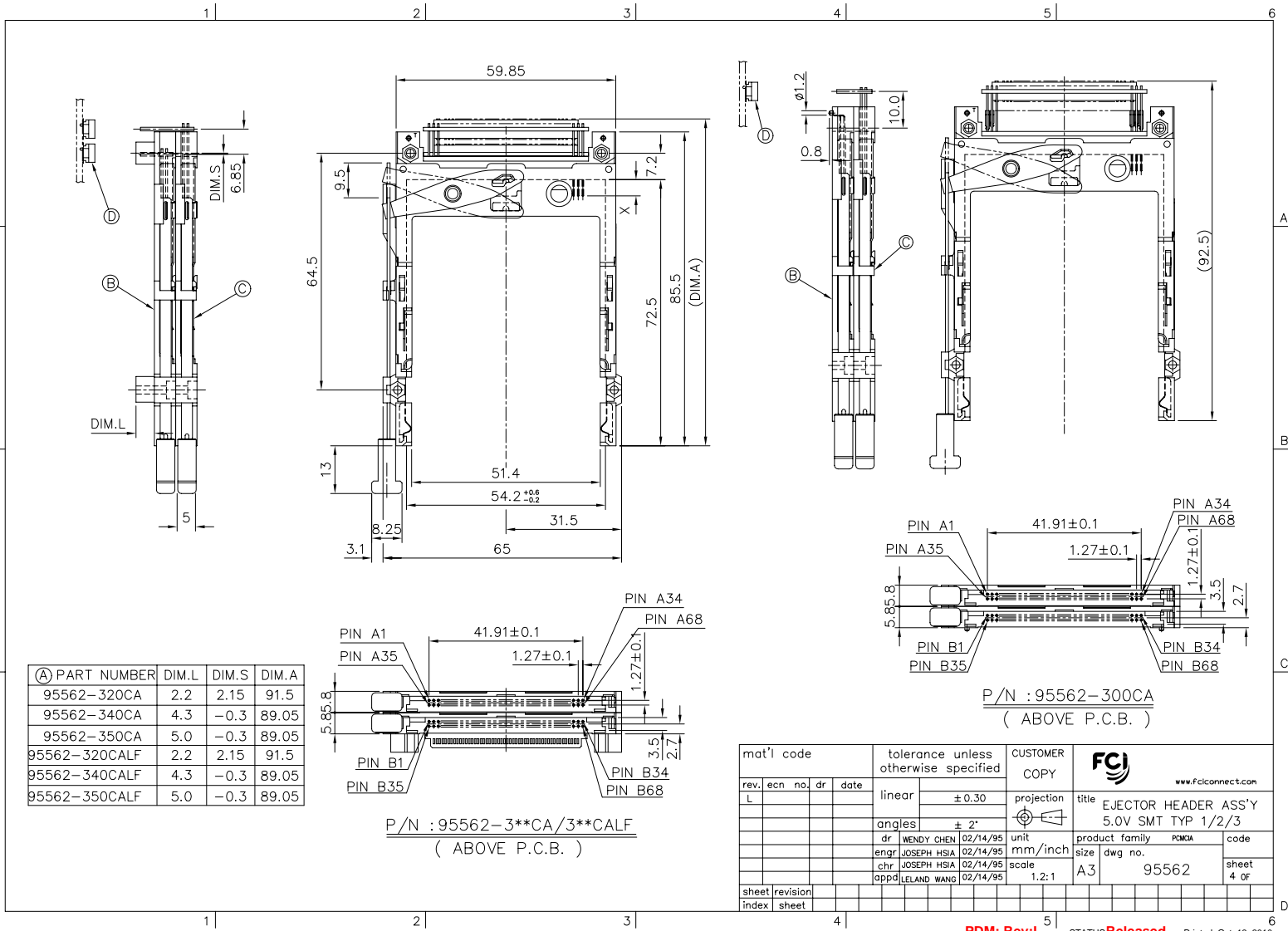
mat'l code		tolerance unless otherwise specified		CUSTOMER COPY				www.fciconnect.com	
rev. L	ecn no.	dr	date	linear	± 0.30	projection	title	EJECTOR HEADER ASS'Y	
				angles	± 2°		5.0V SMT, TYPE 1/2/3		
				dr	WENDY CHEN02/14/95	unit	product family		
				enrg	JOSEPH HSIA02/14/95	mm/inch	PCMCIA		
				chr	JOSEPH HSIA02/14/95	scale	size	dwg no.	
				appd	JENN TSAO02/14/95	1:1	A3	95562	
sheet	revision							code	
index	sheet							sheet	
								2 of	

All rights strictly reserved. Reproduction or issue to third parties in any form or by any means without the written authority from the proprietor. Copyright © BERG ELECTRONICS by

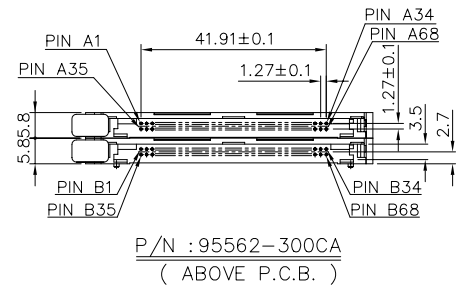
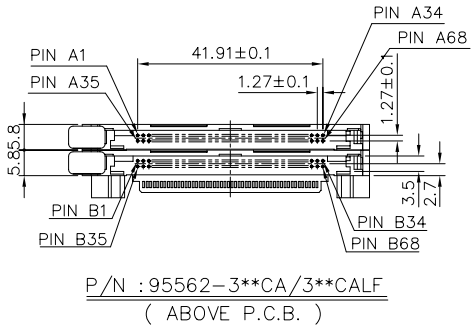
Tous droits strictement réservés. Reproduction ou communication à des tiers int.
 propriété de BERG ELECTRONICS. Toute réimpression sans autorisation écrite du propriétaire.
 Droits de reproduction BERG ELECTRONICS by



All rights strictly reserved. Reproduction or issue to third parties in any form
 without the written authority of BERG ELECTRONICS is prohibited.
 Copyright BERG ELECTRONICS by



(A) PART NUMBER	DIM.L	DIM.S	DIM.A
95562-320CA	2.2	2.15	91.5
95562-340CA	4.3	-0.3	89.05
95562-350CA	5.0	-0.3	89.05
95562-320CALF	2.2	2.15	91.5
95562-340CALF	4.3	-0.3	89.05
95562-350CALF	5.0	-0.3	89.05

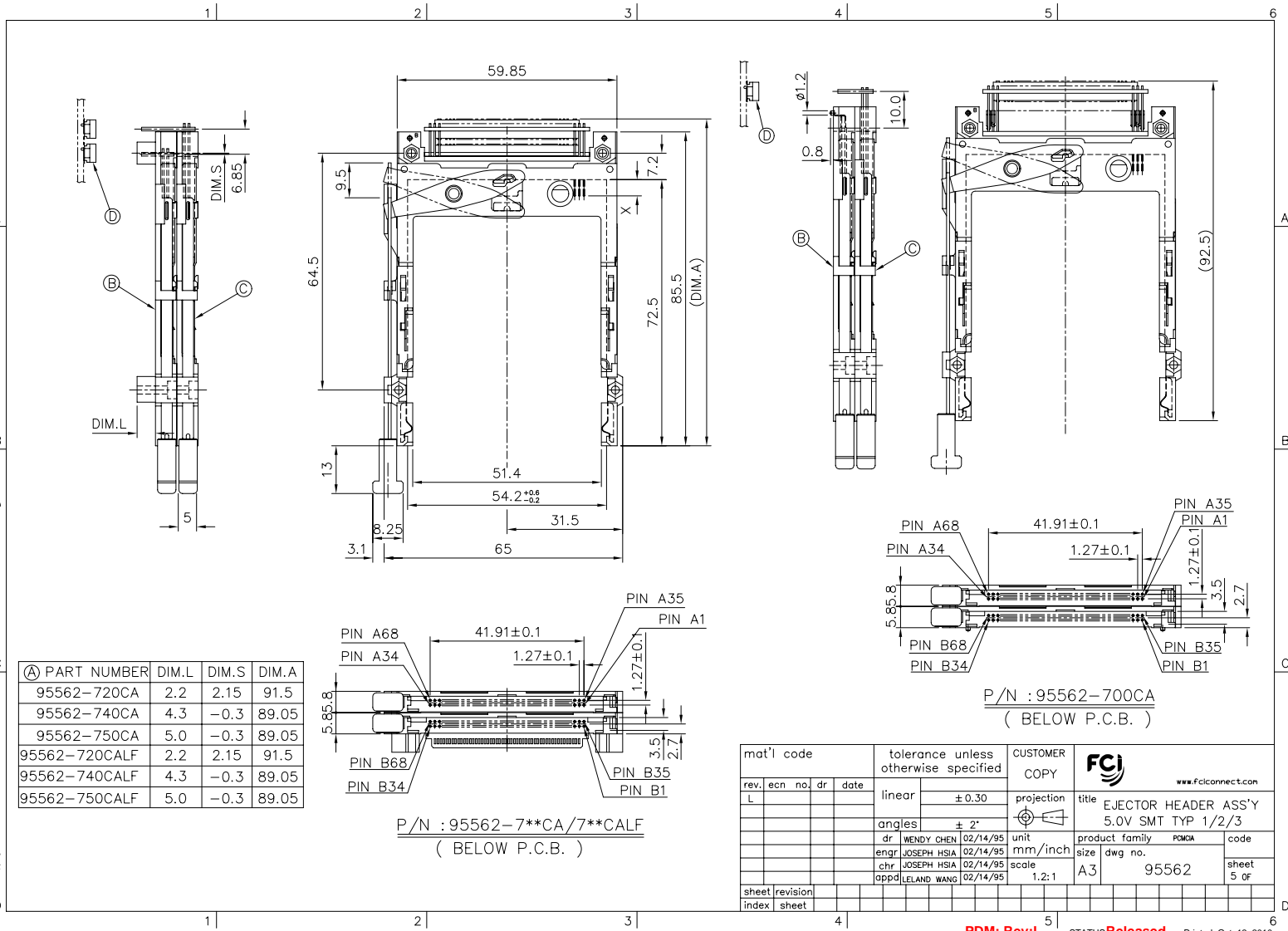


mat'l code		tolerance unless otherwise specified		CUSTOMER COPY		 www.fcjconnect.com	
rev. L	ecn no.	dr	date	linear	±0.30	projection	title
				angles	± 2°		EJECTOR HEADER ASS'Y 5.0V SMT TYP 1/2/3
				dr	WENDY CHEN	02/14/95	product family
				engr	JOSEPH HSIA	02/14/95	PCMCIA
				chr	JOSEPH HSIA	02/14/95	code
				app	LELAND WANG	02/14/95	size
							dwg no.
							A3
							95562
							sheet
							4 of

PDM: Rev:L STATUS Released Printed: Oct 12, 2010

Tous droits strictement réservés. Reproduction ou communication à des tiers interdite sans autorisation écrite du propriétaire.
 All rights strictly reserved. Reproduction or communication to third parties in any form or by any means is not permitted without written authority from the proprietor.
 Copyright BERG ELECTRONICS by

All rights strictly reserved. Reproduction or issue to third parties in any form or by any means is not permitted without written authority from the proprietor.
 Copyright BERG ELECTRONICS by



(A) PART NUMBER	DIM.L	DIM.S	DIM.A
95562-720CA	2.2	2.15	91.5
95562-740CA	4.3	-0.3	89.05
95562-750CA	5.0	-0.3	89.05
95562-720CALF	2.2	2.15	91.5
95562-740CALF	4.3	-0.3	89.05
95562-750CALF	5.0	-0.3	89.05

P/N : 95562-7**CA/7**CALF
 (BELOW P.C.B.)

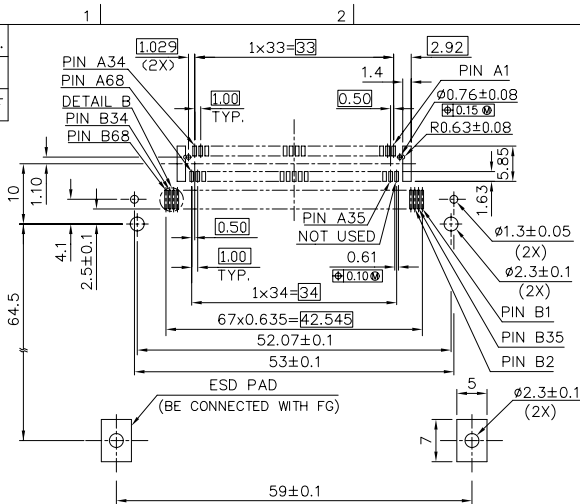
P/N : 95562-700CA
 (BELOW P.C.B.)

mat'l code		tolerance unless otherwise specified		CUSTOMER COPY		 www.fcjconnect.com	
rev. L	ecn no. dr	date	linear	± 0.30	projection	title EJECTOR HEADER ASS'Y 5.0V SMT TYP 1/2/3	
			angles	± 2°		product family	PMGA
			dr	WENDY CHEN	02/14/95	unit	mm/inch
			engr	JOSEPH HSIA	02/14/95	size	dwg no.
			chr	JOSEPH HSIA	02/14/95	scale	1:2:1
			appd	LELAND WANG	02/14/95		A3
sheet index	revision sheet						95562
							sheet 5 of

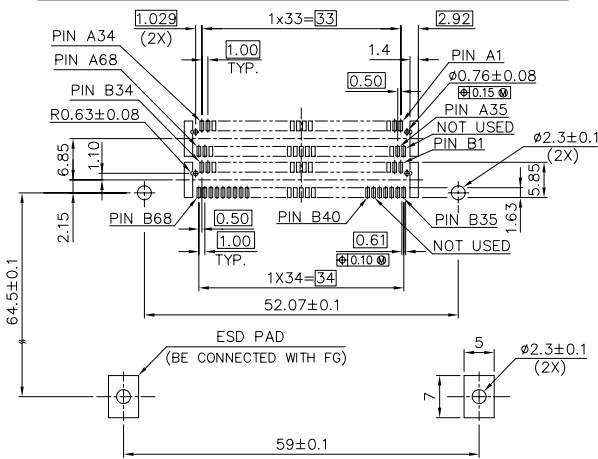
Tous droits strictement réservés. Reproduction ou communication à des tiers sans autorisation écrite du propriétaire.

All rights strictly reserved. Reproduction or issue to third parties in any form without written authority from the proprietor.

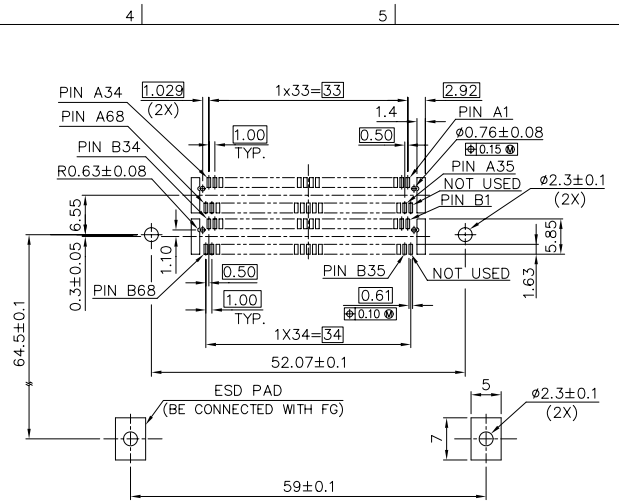
PRODUCT NO.
95562-*****
95562-*****LF



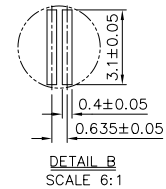
4 CARD INSERTION DIRECTION
RECOMMENDED P.C.B. LAYOUT 4 (MOUNTED SIDE)



4 CARD INSERTION DIRECTION
RECOMMENDED P.C.B. LAYOUT 5 (MOUNTED SIDE)



4 CARD INSERTION DIRECTION
RECOMMENDED P.C.B. LAYOUT 6 (MOUNTED SIDE)

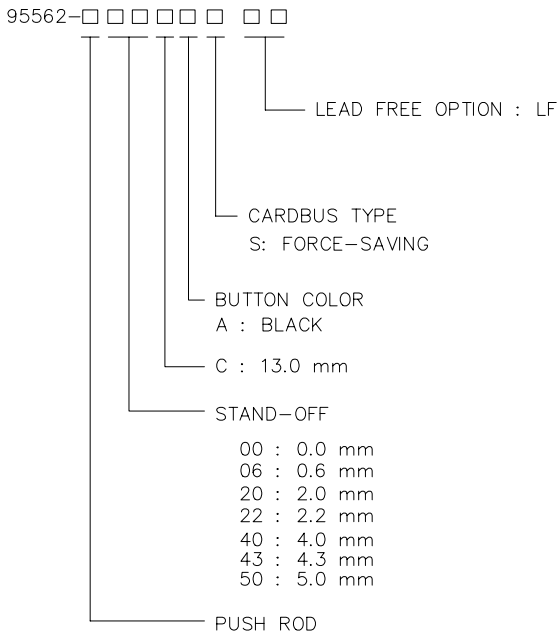


mat'l code		tolerance unless otherwise specified		CUSTOMER COPY		FCI		www.fciconnect.com	
rev.	ecn no.	dr	date	linear	±0.30	projection	title EJECTOR HEADER ASS'Y		
L				angles	± 2°		68POS.SMT TYPE 1/2/3		
				dr	WENDY CHEN	02/08/95	unit	product family	POMGA
				engr	JOSEPH HSIA	02/08/95	mm/inch	size	dwg no.
				chr	JOSEPH HSIA	02/08/95	scale	A3	95562
				pppd	LELAND WANG	02/08/95	1.5:1	sheet	8 of
sheet	revision								
index	sheet								

PDM: Rev:L STATUS Released Printed: Oct 12, 2010

Tous droits strictement réservés. Reproduction ou communication à des tiers sans autorisation écrite du Propriétaire.
 All rights strictly reserved. Reproduction or issue to third parties in any form without the written authority from the proprietor.
 Copyright BERG ELECTRONICS by

PART NUMBER DESCRIPTION :



TOP MOUNT	BOTTOM MOUNT
0 : RIGHT-LEFT	5 : RIGHT-LEFT
1 : LEFT-RIGHT	6 : LEFT-RIGHT
2 : RIGHT-RIGHT	7 : RIGHT-RIGHT
3 : LEFT-LEFT	8 : LEFT-LEFT

NOTES:

- 8mm MIN. CARD EJECT.
- EJECT TRAVEL: 9.5mm
- MATERIAL
 - HEADER ASS'Y :
 - PLASTIC : HOUSING ...LCP UL94V-0 BLACK
 - PIN : COPPER ALLOY
 - PCB : FR4
 - EJECT MECHANISM ASS'Y :
 - PLASTIC : GUIDE: POLYPHTHARAMID UL94V-0 BLACK
 - : BUTTON: POLYPHTHARAMID UL94V-0 BLACK
 - PLATE : STAINLESS
 - EMI CONTACT: PHOSPHOR BRONZE
 - RECEPTACLE :
 - PLASTIC : LCP 94V-0, NATURAL.
 - PIN: BeCu
- FINISH (PIN)
 - UNDER PLATING : 0.5µm MIN. Ni
 - CONTACT AREA : 0.1µm MIN. GOLD OVER
 - 0.5µm MIN. Pd-Ni
 - SOLDER TAIL : 2.5µm MIN. Sn-Pb(FOR TIN LEAD OPTION)
 - : 2.5µm MIN. PURE TIN (FOR LEAD FREE OPTION)
- PUSH ROD LOCATION AND P.C.B. SIDE ARE AS APPEARS INSTALLED.
- DIM "X"

4.25±0.1	3.5±0.1	5.0±0.1
OTHERS	36,67	1,17,34,35,51,68
- DO NOT TOUCH AND KEEP CLEAN THE SURFACES OF PCB OF HEADER.
- IF LEAD FREE P.N.THE HOUSING WILL WITHSTAND EXPOSURE TO 260°C PEAK TEMPERATURE FOR 10 SECONDS IN A WAVE SOLDER APPLICATION WITH A 1.00MM MINIMUM THICK CIRCUIT BOARD.
- IF LEAD FREE P/N.THE PRODUCT MEETS EUROPEAN UNION DIRECTIVES AND OTHER COUNTRY REGULATIONS AS DESCRIBED IN GS-22-008
- LEAD FREE P/N PACKAGING MEETS GS-14-920 SPECIFICATION

mat'l code		tolerance unless otherwise specified		CUSTOMER COPY		 www.fcjconnect.com	
rev.	ecn no.	dr	date	linear	±0.30	projection	title
L				angles	± 2°		EJECTOR HEADER ASS'Y
				dr	WENDY CHEN 02/29/00	unit	68POS. SMT, TYPE 1/2/3
				enrg	JOSEPH HSIAO 02/29/00	mm/inch	product family
				chr	JOSEPH HSIAO 02/29/00	scale	size
				appd	LELAND WANG 02/29/00	1:1	dwg no.
sheet	revision						95562
index	sheet						code
							sheet 9 of