

Tous droits strictement réservés. Reproduction ou communication de des tiers int. sous quelque forme que ce soit sans l'autorisation écrite du propriétaire.
All rights strictly reserved. Reproduction or issue to third parties in any form without the written authority from the proprietor.
Copyright BERG ELECTRONICS bv

DESCRIPTION : ABOVE PCB, DECK AND PUSH ROD LOCATION ARE AS VIEW BY USER.

PRODUCT NO.	PUSH ROD DECK CLOSEST TO PCB	LOCATION DECK FARTHEST TO PCB	STAND-OFF HEIGHT	CLOSEST TO PCB	FARTHEST FROM PCB	MATING RECEPTACLE	P.C.B SIDE	RECOMMENDED P.C.B LAYOUT (SEE PAGE 6&7)	MOUNT STYLE TO PCB AND PUSH ROD SIDE
				EJ HDR ASS'Y	EJ HDR ASS'Y				
(A) 95562-*****				(B)	(C)	(D)			
200CA/200CALF	RIGHT	RIGHT	0.0	95620-002CA/002CALF	95547-005CA/005CALF	RECEPTACLE PART NO. 91931-31169	ABOVE	LAYOUT 1	
220CA	RIGHT	RIGHT	2.2	95547-020CA	95547-025CA			LAYOUT 2	
240CA	RIGHT	RIGHT	4.3	95547-040CA	95547-045CA			LAYOUT 3	
250CA	RIGHT	RIGHT	5.0	95547-050CA	95547-055CA			LAYOUT 3	
300CA	LEFT	LEFT	0.0	95620-102CA	95547-105CA			LAYOUT 1	
320CA	LEFT	LEFT	2.2	95547-120CA	95547-125CA			LAYOUT 2	
340CA	LEFT	LEFT	4.3	95547-140CA	95547-145CA	LAYOUT 3			
350CA	LEFT	LEFT	5.0	95547-150CA	95547-155CA	LAYOUT 3			
700CA	RIGHT	RIGHT	0.0	95620-502CA	95547-505CA	RECEPTACLE PART NO. 91931-31169	BELOW	LAYOUT 4	
720CA	RIGHT	RIGHT	2.2	95547-520CA	95547-525CA			LAYOUT 5	
740CA	RIGHT	RIGHT	4.3	95547-540CA	95547-545CA			LAYOUT 6	
750CA	RIGHT	RIGHT	5.0	95547-550CA	95547-555CA			LAYOUT 6	
800CA	LEFT	LEFT	0.0	95620-602CA	95547-605CA			LAYOUT 4	
820CA	LEFT	LEFT	2.2	95547-620CA	95547-625CA			LAYOUT 5	
840CA	LEFT	LEFT	4.3	95547-640CA	95547-645CA	LAYOUT 6			
850CA	LEFT	LEFT	5.0	95547-650CA	95547-655CA	LAYOUT 6			

ORDERING INFORMATION

NAME	PART NO.	Q'TY
(A) EJECT HEADER ASS'Y	95562-*****	1
(D) MATING RECEPTACLE	91931-31169	2

OR

ORDERING INFORMATION

NAME	PART NO.	Q'TY
(B) DECK CLOSEST TO PCB	95547-*****	1
(C) DECK FARTHEST FROM PCB	95547-*****	1
(D) MATING RECEPTACLE	91931-31169	2

OR

ORDERING INFORMATION

NAME	PART NO.	Q'TY
(B) DECK CLOSEST TO PCB	95620-*****	1
(C) DECK FARTHEST FROM PCB	95547-*****	1
(D) MATING RECEPTACLE	91931-31169	1

mat'l code	tolerance unless otherwise specified	CUSTOMER COPY	
rev. ecn no. dr date	linear ± 0.30	projection	www.fciconnect.com
J N05-0127 W Bps/11/05	angles ± 2'		title EJECTOR HEADER ASS'Y
K N06-0135 C Mos/22/06	dr WENDY CHEN 02/14/95	unit mm/inch	5.0V SMT, TYPE 1/2/3
L N09-0091 MZ 03/19/09	engr JOSEPH HSIA 02/14/95	scale 1:1	product family PCMCIA code
	chr JOSEPH HSIA 02/14/95		size dwg no.
	pppd JENN TSAO 02/14/95		A3 95562
sheet revision	L L L L L L L L		code
index sheet	1 2 3 4 5 6 7 8 9		sheet 1 of 9

DESCRIPTION : ABOVE PCB, DECK AND PUSH ROD LOCATION ARE AS VIEW BY USER.

PRODUCT NO.	PUSH ROD LOCATION	DECK CLOSEST TO PCB	DECK FARTHEST TO PCB	STAND-OFF HEIGHT	RECEPTACLE		MATING RECEPTACLE	P.C.B SIDE	RECOMMENDED P.C.B LAYOUT (SEE PAGE 6&7)	MOUNT STYLE TO PCB AND PUSH ROD SIDE
					② CLOSEST TO PCB EJ HDR ASS'Y	③ FARTHEST FROM PCB EJ HDR ASS'Y				
① 95562-****	RIGHT	RIGHT	RIGHT	0.0	95620-002CA/002CALF	95547-005CA/005CALF	RECEPTACLE PART NO. 91931-31169LF	ABOVE	LAYOUT 1	
220CALF	RIGHT	RIGHT	RIGHT	2.2	95547-020CALF	95547-025CALF			LAYOUT 2	
240CALF	RIGHT	RIGHT	RIGHT	4.3	95547-040CALF	95547-045CALF			LAYOUT 3	
241CALF	RIGHT	RIGHT	RIGHT	4.3	95547-041CALF	95547-045CALF			LAYOUT 3	
250CALF	RIGHT	RIGHT	RIGHT	5.0	95547-050CALF	95547-055CALF			LAYOUT 3	
300CA	LEFT	LEFT	LEFT	0.0	95620-102CA	95547-105CA			LAYOUT 1	
320CALF	LEFT	LEFT	LEFT	2.2	95547-120CALF	95547-125CALF			LAYOUT 2	
340CALF	LEFT	LEFT	LEFT	4.3	95547-140CALF	95547-145CALF			LAYOUT 3	
350CALF	LEFT	LEFT	LEFT	5.0	95547-150CALF	95547-155CALF			LAYOUT 3	
700CA	RIGHT	RIGHT	RIGHT	0.0	95620-502CA	95547-505CA			LAYOUT 4	
720CALF	RIGHT	RIGHT	RIGHT	2.2	95547-520CALF	95547-525CALF	LAYOUT 5			
740CALF	RIGHT	RIGHT	RIGHT	4.3	95547-540CALF	95547-545CALF	LAYOUT 6			
750CALF	RIGHT	RIGHT	RIGHT	5.0	95547-550CALF	95547-555CALF	LAYOUT 6			
800CA	LEFT	LEFT	LEFT	0.0	95620-602CA	95547-605CA	LAYOUT 4			
820CALF	LEFT	LEFT	LEFT	2.2	95547-620CALF	95547-625CALF	LAYOUT 5			
840CALF	LEFT	LEFT	LEFT	4.3	95547-640CALF	95547-645CALF	LAYOUT 6			
850CALF	LEFT	LEFT	LEFT	5.0	95547-650CALF	95547-655CALF	LAYOUT 6			

ORDERING INFORMATION

NAME	PART NO.	Q'TY
① EJECT HEADER ASS'Y	95562-****LF	1
④ MATING RECEPTACLE	91931-31169LF	2

OR

ORDERING INFORMATION

NAME	PART NO.	Q'TY
② DECK CLOSEST TO PCB	95547-****LF	1
③ DECK FARTHEST FROM PCB	95547-****LF	1
④ MATING RECEPTACLE	91931-31169LF	2

OR

ORDERING INFORMATION

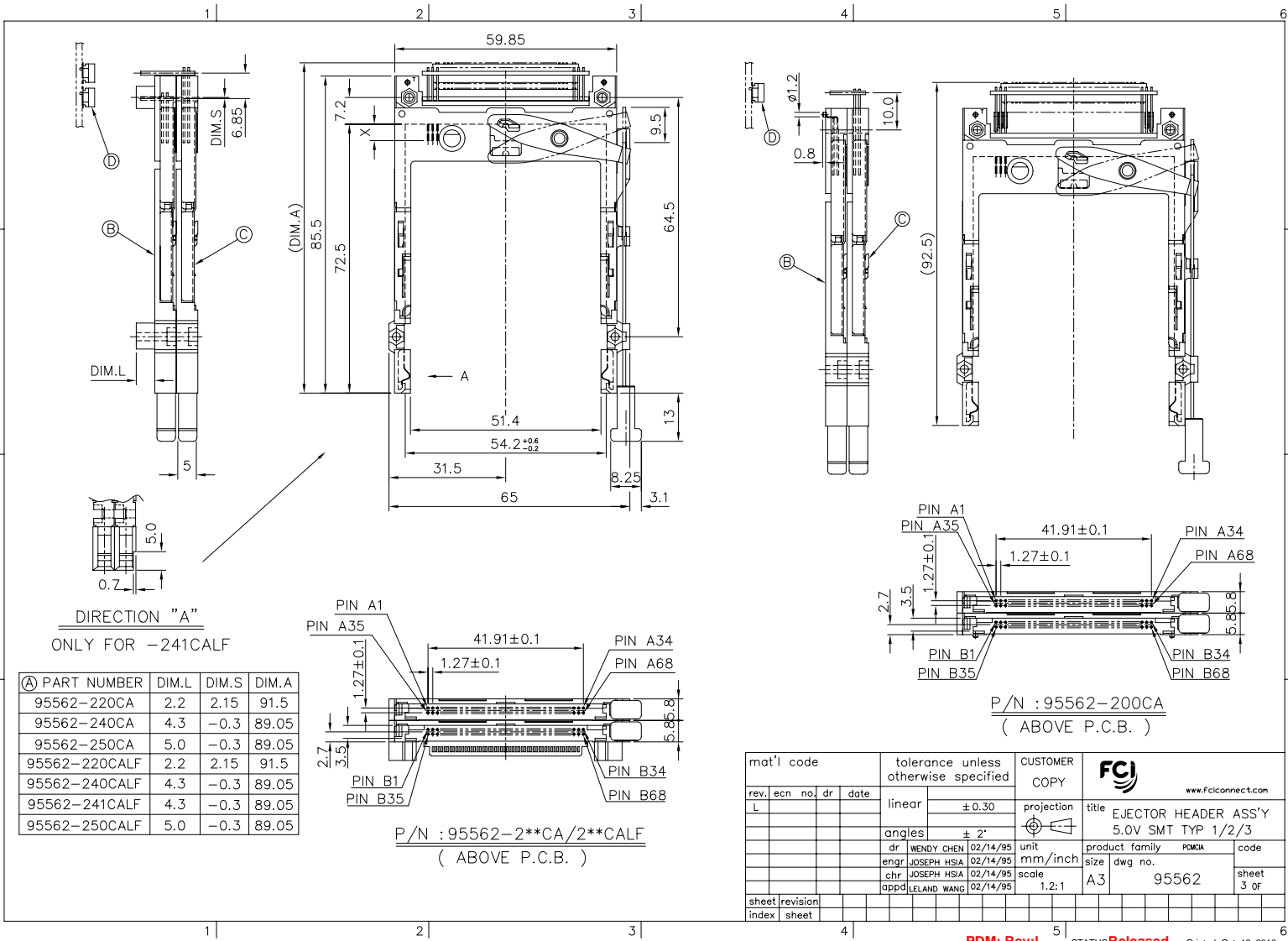
NAME	PART NO.	Q'TY
② DECK CLOSEST TO PCB	95620-****LF	1
③ DECK FARTHEST FROM PCB	95547-****LF	1
④ MATING RECEPTACLE	91931-31169LF	1

mat'l code		tolerance unless otherwise specified		CUSTOMER COPY			
rev. L	ecm no.	dr	date	linear	± 0.30	projection	title EJECTOR HEADER ASS'Y
				angles	± 2°		5.0V SMT, TYPE 1/2/3
				dr	WENDY CHEN02/14/95	unit	product family PCMCIA
				enrg	JOSEPH HSIA02/14/95	mm/inch	code
				chr	JOSEPH HSIA02/14/95	scale	size A3
				appd	JENN TSAO02/14/95	1:1	dwg no. 95562
sheet index	revision						code
							sheet 2 of

PDM: Rev:L STATUS Released Printed: Oct 12, 2010

All rights strictly reserved. Reproduction or issue to third parties in any form or by any means without the written authority from the proprietor. Copyright © BERG ELECTRONICS by

Tous droits r serv s. Toute r impression, reproduction ou utilisation sans autorisation  crite du propri taire, pour quelque forme que ce soit, est formellement interdite.
 All rights reserved. Any reprinting or unauthorized use without written authority is hereby expressly prohibited.
 Property of e BERG ELECTRONICS. Copyright BERG ELECTRONICS NV

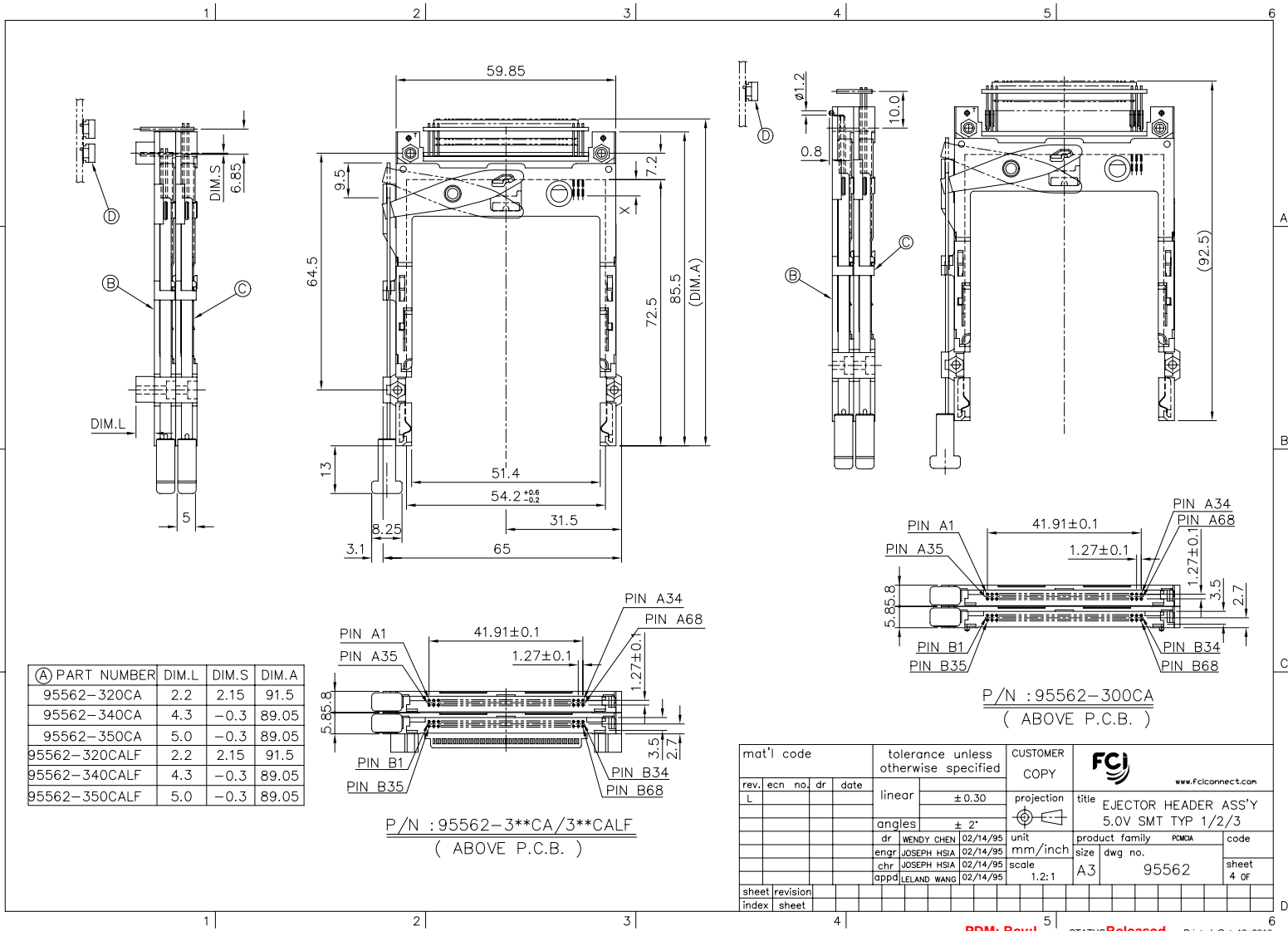


mat'l code	tolerance unless otherwise specified	CUSTOMER COPY	FCj www.falconconnect.com
rev. ecn no. dr date	linear ± 0.30	projection	title EJECTOR HEADER ASS'Y 5.0V SMT TYP 1/2/3
	angles ± 2°	unit mm/inch	product family PDMCA code
	dr WENDY CHEN 02/14/95	size A3	dwg no. 95562 sheet 3 of
	enrg JOSEPH HSIA 02/14/95	scale 1.2:1	
	chr JOSEPH HSIA 02/14/95		
	appd LELAND WANG 02/14/95		
sheet index	revision sheet		

PDM: Rev:L 5 STATUS Released Printed: Oct 12, 2010

Tous droits strictement réservés. Reproduction ou communication à des tiers sans autorisation écrite du propriétaire.
 FCJ ELECTRONICS
 Droits de reproduction BERG ELECTRONICS by

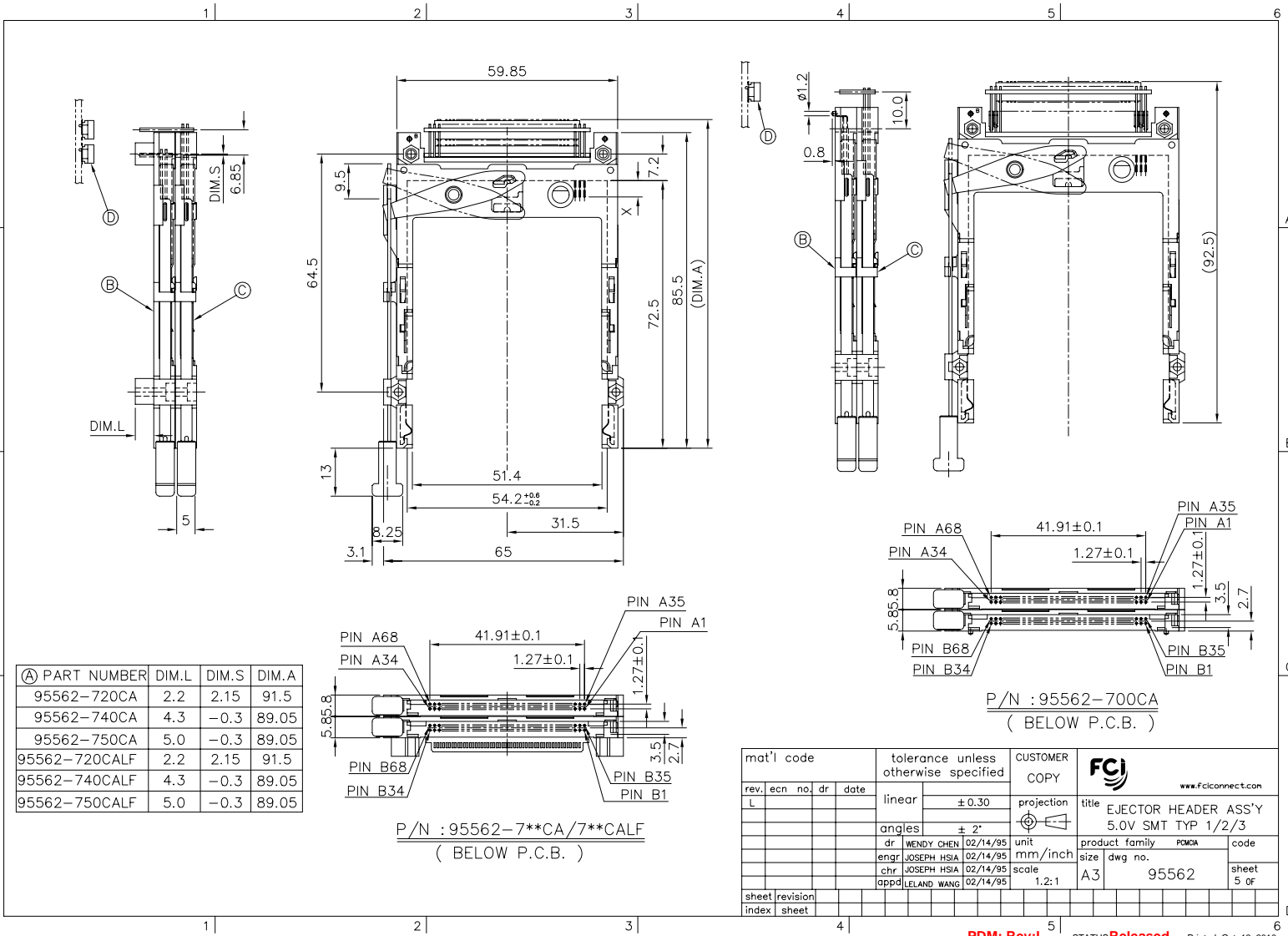
All rights strictly reserved. Reproduction or issue to third parties in any form without the written authority from the proprietor.
 FCJ ELECTRONICS
 Copyright BERG ELECTRONICS by



Tous droits strictement réservés. Reproduction ou communication ou des tiers int.
 Toute réimpression ou utilisation non autorisée sans la permission écrite du propriétaire.
 All rights strictly reserved. Reproduction or communication or des tiers int.
 Any reprinting or unauthorized use without the written authority from the proprietor.
 Copyright BERG ELECTRONICS by



All rights strictly reserved. Reproduction or issue to third parties in any form
 without the written permission of the proprietor.
 Any reprinting or unauthorized use without the written authority from the proprietor.
 Copyright BERG ELECTRONICS by



(A) PART NUMBER	DIM.L	DIM.S	DIM.A
95562-720CA	2.2	2.15	91.5
95562-740CA	4.3	-0.3	89.05
95562-750CA	5.0	-0.3	89.05
95562-720CALF	2.2	2.15	91.5
95562-740CALF	4.3	-0.3	89.05
95562-750CALF	5.0	-0.3	89.05

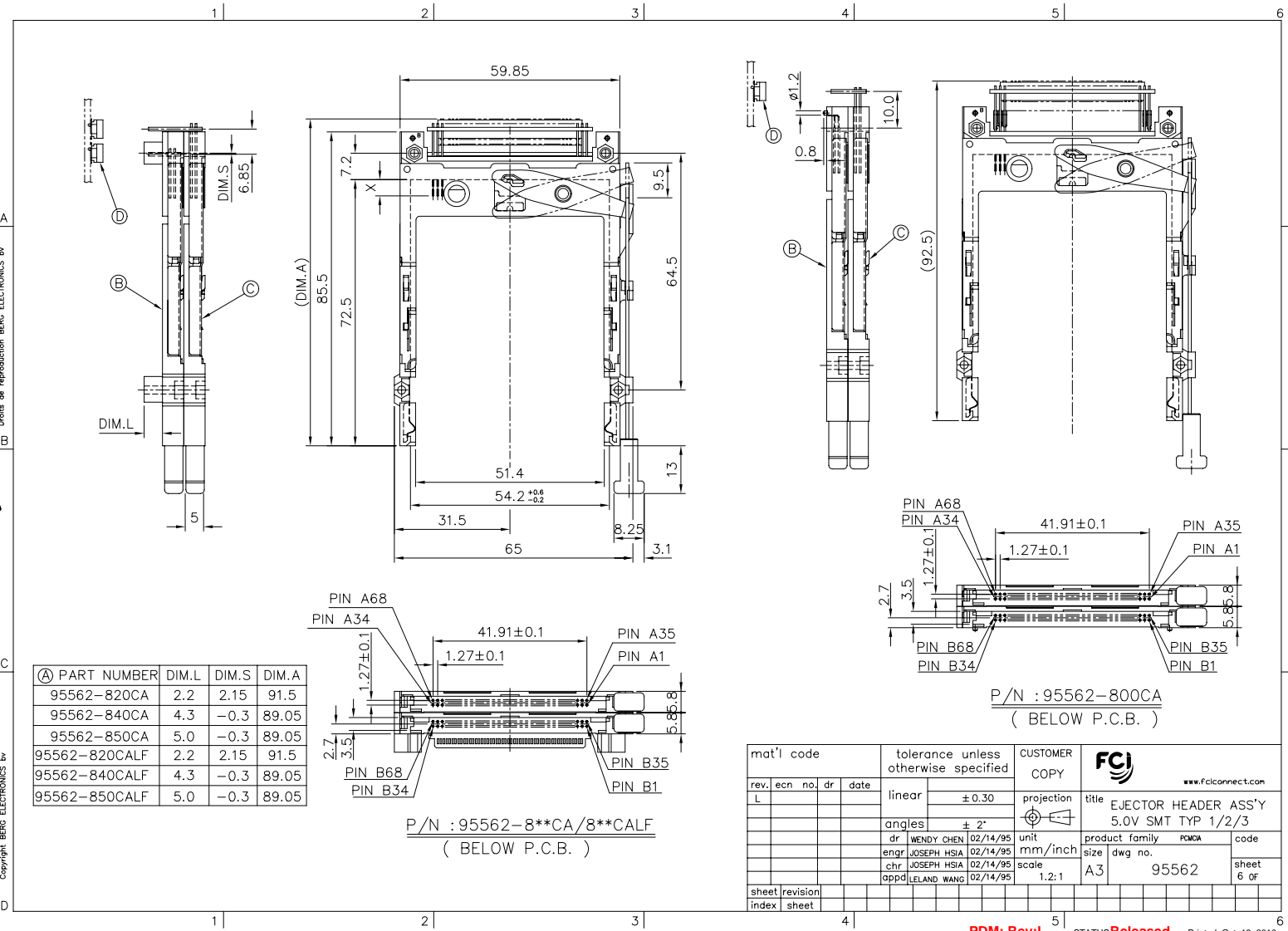
P/N : 95562-7**CA/7**CALF
 (BELOW P.C.B.)

P/N : 95562-700CA
 (BELOW P.C.B.)

mat'l code		tolerance unless otherwise specified		CUSTOMER COPY		 www.fcjconnect.com	
rev. L	ecn no.	dr	date	linear	± 0.30	projection	title
				angles	± 2°		EJECTOR HEADER ASS'Y 5.0V SMT TYP 1/2/3
				dr	WENDY CHEN	02/14/95	product family
				engr	JOSEPH HSIA	02/14/95	PMGA
				chr	JOSEPH HSIA	02/14/95	size
				appd	LELAND WANG	02/14/95	dwg no.
							A3
sheet index	revision						95562
	sheet						5 of

Tous droits strictement réservés. Reproduction ou communication de des tiers int
 sous quelque forme que ce soit, sans autorisation écrite du propriétaire.
 All rights strictly reserved. Reproduction or communication of des tiers int
 without written authority from the proprietor.
 Copyright BERG ELECTRONICS BV

All rights strictly reserved. Reproduction or issue to third parties, in any for
 whatever is not permitted without written authority from the proprietor.
 Copyright BERG ELECTRONICS BV



Ⓐ PART NUMBER	DIM.L	DIM.S	DIM.A
95562-820CA	2.2	2.15	91.5
95562-840CA	4.3	-0.3	89.05
95562-850CA	5.0	-0.3	89.05
95562-820CALF	2.2	2.15	91.5
95562-840CALF	4.3	-0.3	89.05
95562-850CALF	5.0	-0.3	89.05

P/N : 95562-8**CA/8**CALF
 (BELOW P.C.B.)

P/N : 95562-800CA
 (BELOW P.C.B.)

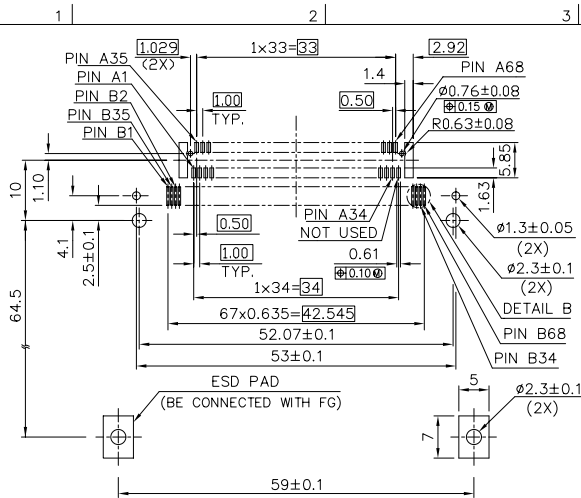
mat'l code	tolerance unless otherwise specified	CUSTOMER COPY	FCJ www.fcjconnect.com
rev. ecn no. dr date	linear ± 0.30	projection	title EJECTOR HEADER ASS'Y 5.0V SMT TYP 1/2/3
L	angles ± 2°	unit	product family PCMCIA code
	dr WENDY CHEN 02/14/95	mm/inch	size dwg no.
	enqr JOSEPH HSIA 02/14/95	scale	A3 95562
	chr JOSEPH HSIA 02/14/95	1:2:1	sheet 6 of
	oppd LELAND WANG 02/14/95		
sheet index	revision sheet		

PDM: Rev:L STATUS Released Printed: Oct 12, 2010

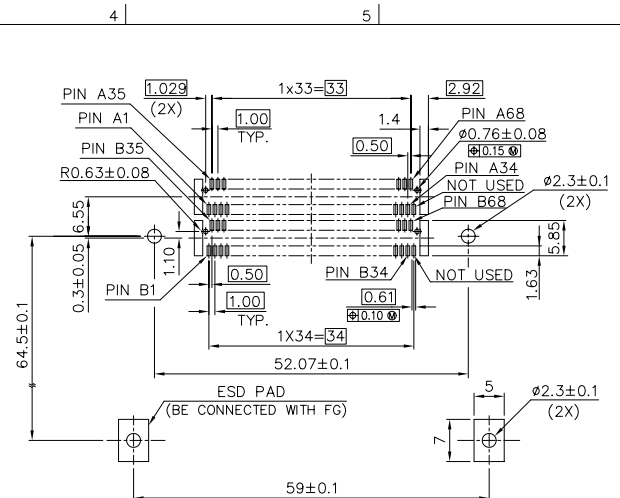
Tous droits strictement réservés. Reproduction ou communication à des tiers sans autorisation écrite du propriétaire.

All rights strictly reserved. Reproduction or issue to third parties in any form without the written authority from the proprietor.

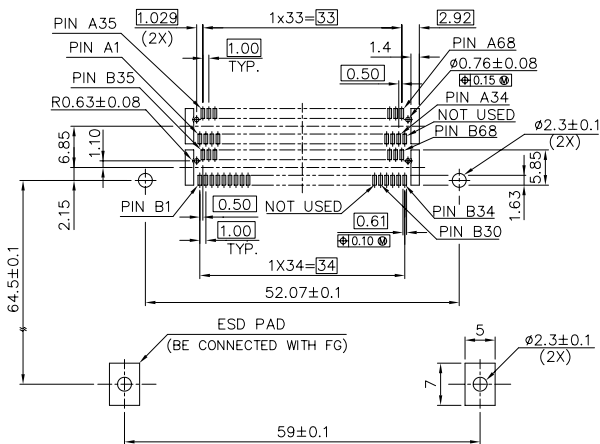
PRODUCT NO.	95562-*****
	95562-*****LF



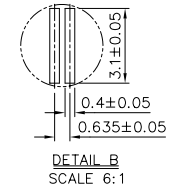
4 CARD INSERTION DIRECTION
RECOMMENDED P.C.B. LAYOUT 1 (MOUNTED SIDE)



4 CARD INSERTION DIRECTION
RECOMMENDED P.C.B. LAYOUT 3 (MOUNTED SIDE)



4 CARD INSERTION DIRECTION
RECOMMENDED P.C.B. LAYOUT 2 (MOUNTED SIDE)

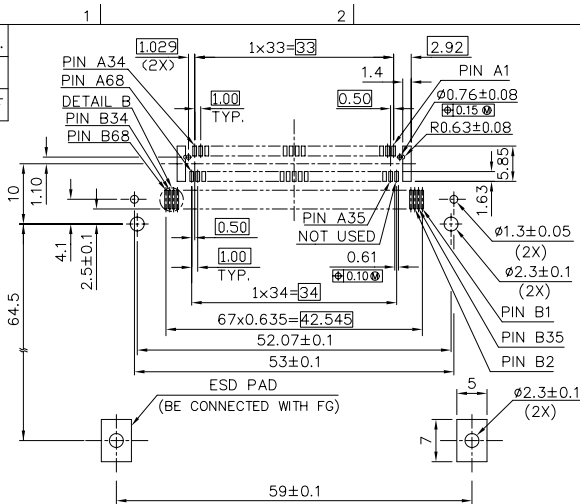


mat'l code		tolerance unless otherwise specified		CUSTOMER COPY		 www.fciconnect.com	
rev.	ecn no.	dr	date	linear	±0.30	projection	title
L				angles	± 2'		EJECTOR HEADER ASS'Y 6.8POS.SMT TYPE 1/2/3
				dr	WENDY CHEN 02/08/95	unit	product family
				enfr	JOSEPH HSIA 02/08/95	mm/inch	POMGA
				chr	JOSEPH HSIA 02/08/95	scale	size
				oppd	LELAND WANG 02/08/95	1.5:1	dwg no.
							A3
sheet	revision						product family
index	sheet						POMGA
							code
							95562
							size
							7 of

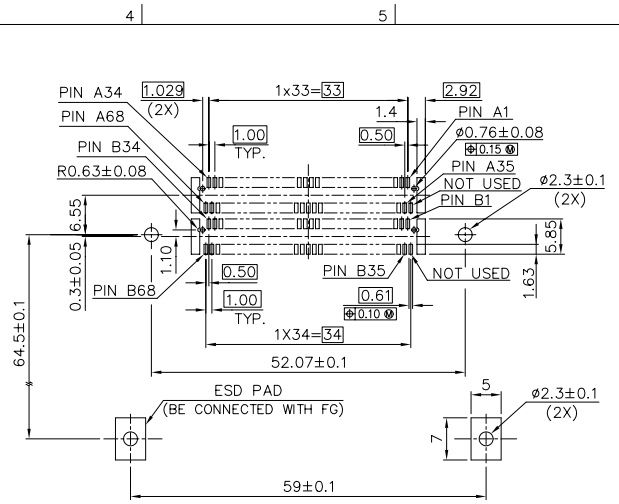
Tous droits strictement réservés. Reproduction ou communication de ces plans int.
 sous quelque forme que ce soit sans autorisation écrite du propriétaire.
 Droits de reproduction BERG ELECTRONICS BV

All rights strictly reserved. Reproduction or issue to third parties in any form
 whatsoever is not permitted without the written authority from the proprietor.
 Copyright BERG ELECTRONICS BV

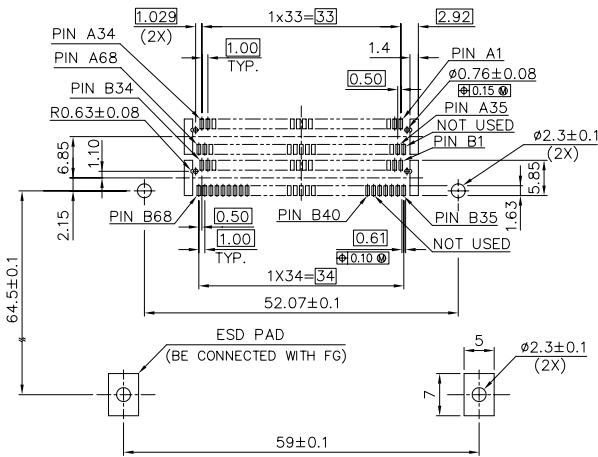
PRODUCT NO.	
95562-*****	
95562-*****LF	



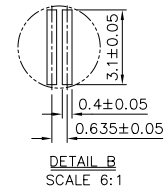
4 CARD INSERTION DIRECTION
 RECOMMENDED P.C.B. LAYOUT 4 (MOUNTED SIDE)



4 CARD INSERTION DIRECTION
 RECOMMENDED P.C.B. LAYOUT 6 (MOUNTED SIDE)



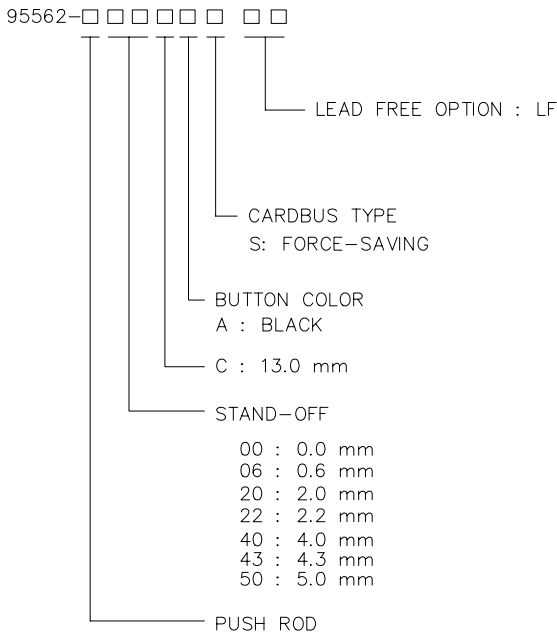
4 CARD INSERTION DIRECTION
 RECOMMENDED P.C.B. LAYOUT 5 (MOUNTED SIDE)



mat'l code		tolerance unless otherwise specified		CUSTOMER COPY		FCI		www.fciconnect.com	
rev.	ecn no.	dr	date	linear	±0.30	projection	title EJECTOR HEADER ASS'Y		
L				angles	± 2°		68POS.SMT TYPE 1/2/3		
				dr	WENDY CHEN	02/08/95	unit	product family	POMGA
				engr	JOSEPH HSIA	02/08/95	mm/inch	size	dwg no.
				chr	JOSEPH HSIA	02/08/95	scale	A3	95562
				pppd	LELAND WANG	02/08/95	1.5:1		8 of
sheet	revision								
index	sheet								

Tous droits strictement réservés. Reproduction ou communication à des tiers sans autorisation écrite du Propriétaire.
 All rights strictly reserved. Reproduction or issue to third parties in any form without the written authority from the proprietor.
 Copyright BERG ELECTRONICS by

PART NUMBER DESCRIPTION :



TOP MOUNT	BOTTOM MOUNT
0 : RIGHT-LEFT	5 : RIGHT-LEFT
1 : LEFT-RIGHT	6 : LEFT-RIGHT
2 : RIGHT-RIGHT	7 : RIGHT-RIGHT
3 : LEFT-LEFT	8 : LEFT-LEFT

NOTES:

- 8mm MIN. CARD EJECT.
- EJECT TRAVEL: 9.5mm
- MATERIAL
 - HEADER ASS'Y :
 - PLASTIC : HOUSING ...LCP UL94V-0 BLACK
 - PIN : COPPER ALLOY
 - PCB : FR4
 - EJECT MECHANISM ASS'Y :
 - PLASTIC : GUIDE: POLYPHTHARAMID UL94V-0 BLACK
 - : BUTTON: POLYPHTHARAMID UL94V-0 BLACK
 - PLATE : STAINLESS
 - EMI CONTACT: PHOSPHOR BRONZE
 - RECEPTACLE :
 - PLASTIC : LCP 94V-0, NATURAL.
 - PIN: BeCu
- FINISH (PIN)
 - UNDER PLATING : 0.5µm MIN. Ni
 - CONTACT AREA : 0.1µm MIN. GOLD OVER
 - 0.5µm MIN. Pd-Ni
 - SOLDER TAIL : 2.5µm MIN. Sn-Pb(FOR TIN LEAD OPTION)
 - : 2.5µm MIN. PURE TIN (FOR LEAD FREE OPTION)
- PUSH ROD LOCATION AND P.C.B. SIDE ARE AS APPEARS INSTALLED.
- DIM "X"

4.25±0.1	3.5±0.1	5.0±0.1
OTHERS	36,67	1,17,34,35,51,68
- DO NOT TOUCH AND KEEP CLEAN THE SURFACES OF PCB OF HEADER.
- IF LEAD FREE P.N. THE HOUSING WILL WITHSTAND EXPOSURE TO 260°C PEAK TEMPERATURE FOR 10 SECONDS IN A WAVE SOLDER APPLICATION WITH A 1.00MM MINIMUM THICK CIRCUIT BOARD.
- IF LEAD FREE P/N. THE PRODUCT MEETS EUROPEAN UNION DIRECTIVES AND OTHER COUNTRY REGULATIONS AS DESCRIBED IN GS-22-008
- LEAD FREE P/N PACKAGING MEETS GS-14-920 SPECIFICATION

mat'l code		tolerance unless otherwise specified		CUSTOMER COPY		 www.fcjconnect.com	
rev.	ecn no.	dr	date	linear	±0.30	projection	title
L				angles	± 2°		EJECTOR HEADER ASS'Y
				dr	WENDY CHEN 02/29/00	unit	68POS. SMT, TYPE 1/2/3
				enrg	JOSEPH HSIAO 02/29/00	mm/inch	product family
				chr	JOSEPH HSIAO 02/29/00	scale	size
				appd	LELAND WANG 02/29/00	1:1	dwg no.
sheet	revision						95562
index	sheet						sheet 9 of