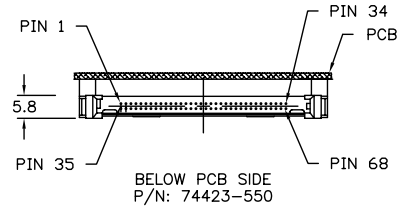
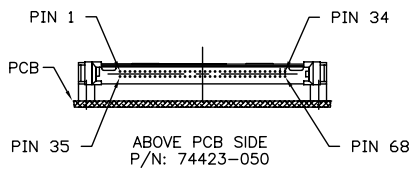
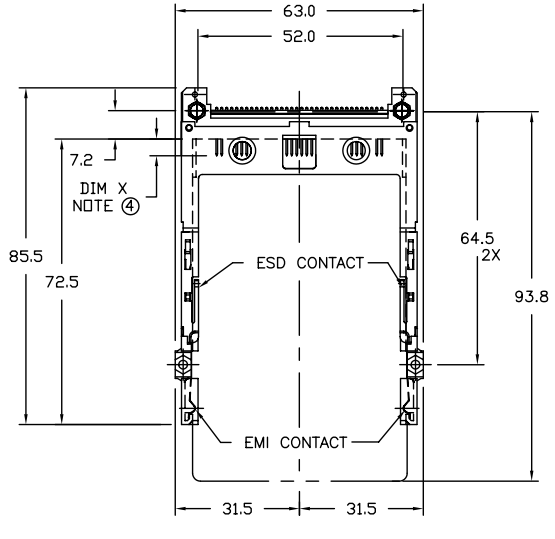
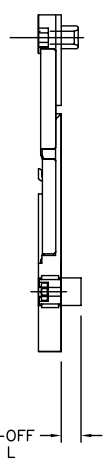
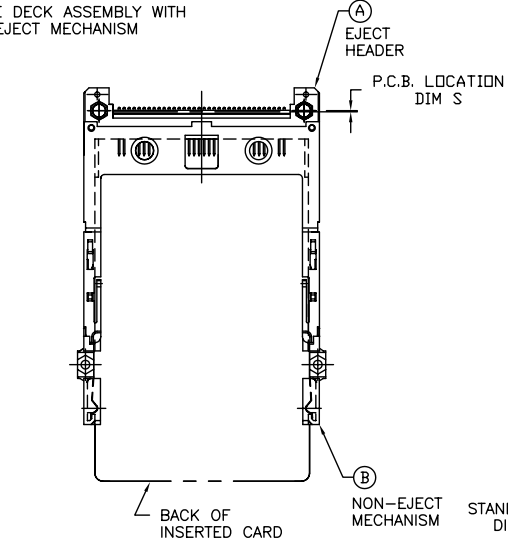


Tous droits strictement réservés. Reproduction ou communication à des tiers interdite sous quelque forme que ce soit sans autorisation écrite du propriétaire. Property of FCI. All rights reserved.

All rights strictly reserved. Reproduction or issue to third parties in any form whatsoever is not permitted without written authority from the proprietor. Property of FCI. Copyright FCI.

PCMCIA COMPONENTS:
SINGLE DECK ASSEMBLY WITH
NON-EJECT MECHANISM



NOTES:

- REFER TO HEADER DRAWING 61127 AND NON-EJECT MECHANISM 92791 FOR ADDITIONAL DIMENSIONS, MATERIAL, AND PLATING INFORMATION.
- REFER TO SHEETS 2 AND 3 FOR PCB LAYOUT.
- RECOMMENDED SCREW TORQUE: 1.0 TO 1.5 MAX in-lbs. (1.2-1.7 cm-kgs).

④ DIM X

	4.25±0.1	3.5±0.1	5.0±0.1
OTHERS	36,67	1,17,34,35,51,68	

mat'l. code				tolerances unless otherwise specified				CUSTOMER COPY		FCI Electronics www.fciconnect.com	
ltr	ecr no	dr	date	linear	.XX±.3		projection	title			
A	V80087	RGD	2/21/98		.XX±.13			68 POS. EJECT HEADER ASSY.			
B	V90656	CGC	3/13/99		.XXX±.051						
C	V00647	RGD	3/28/00	angles	0° ±2°		MM	product family	MCS	code	
D	V12164	TFG	8/17/01	dr	R.GRAPE	2/21/98		size	dwg no	sheet	
E	V03-0517	WL	05/29/03	enrg	D.BRANN	2/21/98		A4	74423	1 of 4	
F	N04-0030	PH	07/21/04	chr	D.BRANN	2/21/98		scale	1:1		
				appd	D.BRANN	2/21/98					
sheet index	revision sheet	F	E	E	F						
		1	2	3	4						

ACAD

PDM: Rev:F

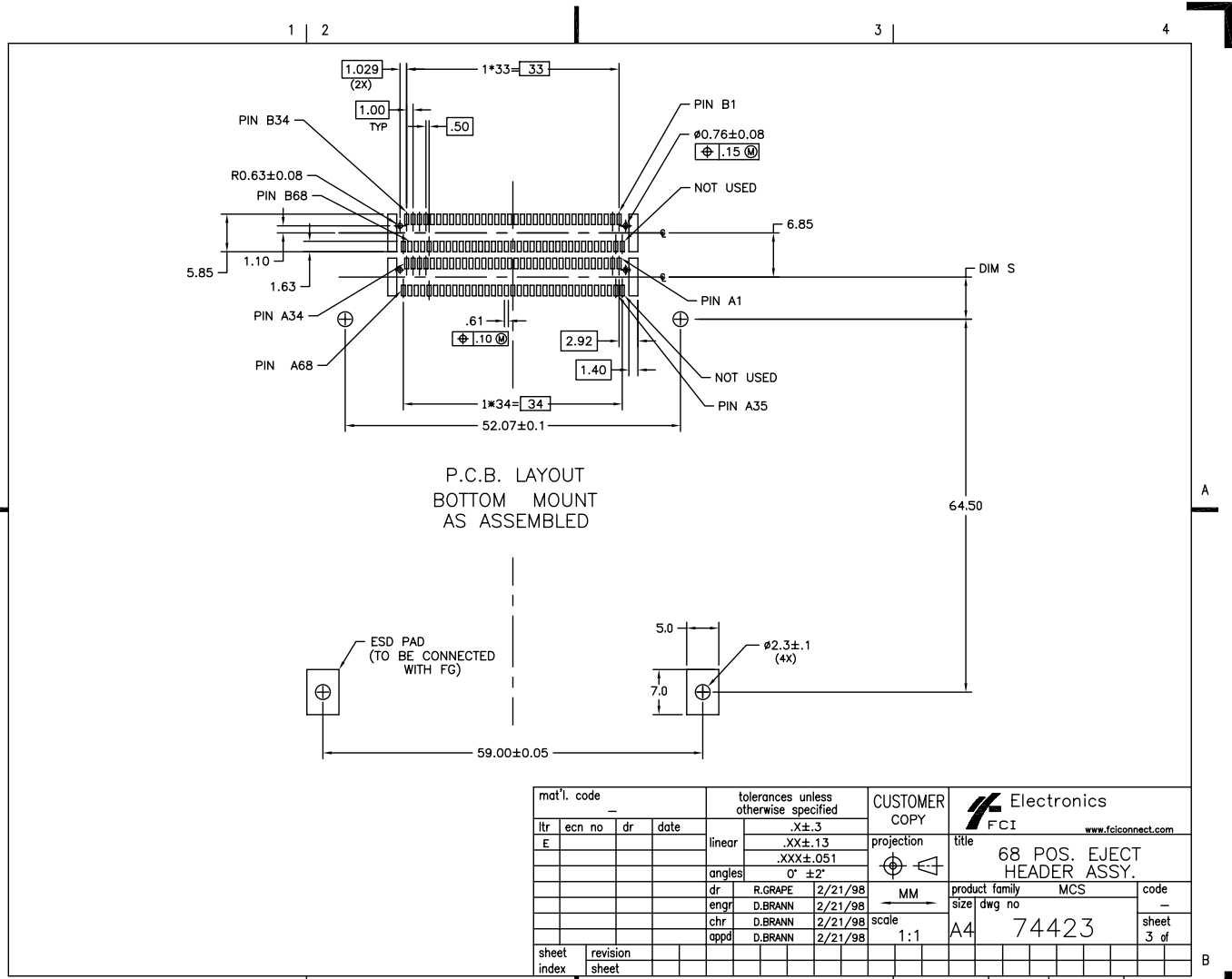
cage code 22526

STATUS Released

Oct 12, 2010

Tous droits strictement réservés. Reproduction ou communication à des tiers interdite sous quelque forme que ce soit sans autorisation écrite du propriétaire. Property of FCI. All rights reserved. FCI. No reproduction or communication to third parties without written authority from the proprietor. Copyright FCI.

All rights strictly reserved. Reproduction or issue to third parties in any form whatsoever is not permitted without written authority from the proprietor. Property of FCI. Copyright FCI.



P.C.B. LAYOUT
BOTTOM MOUNT
AS ASSEMBLED

mat'l. code				tolerances unless otherwise specified				CUSTOMER COPY		Electronics www.fciconnect.com	
ltr	ecn no	dr	date	linear	.X±.3		projection		title		
E					.XX±.13				68 POS. EJECT HEADER ASSY.		
				angles	.XXX±.051				product family MCS		
				dr	R.GRAPE	2/21/98	MM	size	dwg no	code	
				engr	D.BRANN	2/21/98	1:1	A4	74423	sheet	3 of
				chr	D.BRANN	2/21/98					
				appd	D.BRANN	2/21/98					
sheet index	revision sheet										
1	2										

ACAD

PDM: Rev:F

cage code 22526

STATUS Released

Printed Oct 12, 2010

Tous droits strictement réservés. Reproduction ou communication à des tiers interdite sous quelque forme que ce soit sans autorisation écrite du propriétaire. Property of FCI. All rights reserved. FCI.

All rights strictly reserved. Reproduction or issue to third parties in any form whatsoever is not permitted without written authority from the proprietor. Property of FCI. Copyright FCI.

1 | 2

3

4

DESCRIPTION: ABOVE AND BELOW P.C.B., DECK IS AS VIEWED BY USER.

PRODUCT NO. 74423-XXX	STAND-OFF HEIGHT DIM L	P.C.B. LOCATION DIM S	DESCRIPTION		MOUNTING STYLE TO PCB
			(A) HEADER ASSY 61127-XXXX	(B) MECHANISM ASSY 92791-XXX	
020	2.2	-0.3	0022	-022	
040	4.3	-0.3	0043	-043	
050	5.0	-0.3	0050	-051	
020LF	2.2	-0.3	0022LF	-022	
040LF	4.3	-0.3	0043LF	-043	
050LF	5.0	-0.3	0050LF	-051	
005	0.0	10.0	0500	-001	
025	0.0	6.55	0522	-001	
045	0.0	6.55	0543	-001	
055	0.0	6.55	0550	-001	
005LF	0.0	10.0	0500LF	-001	
025LF	0.0	6.55	0522LF	-001	
045LF	0.0	6.55	0543LF	-001	
055LF	0.0	6.55	0550LF	-001	
520	2.2	-0.3	5022	-022	
540	4.3	-0.3	5043	-043	
550	5.0	-0.3	5050	-051	
520LF	2.2	-0.3	5022LF	-022	
540LF	4.3	-0.3	5043LF	-043	
550LF	5.0	-0.3	5050LF	-051	
505	0.0	10.0	5500	-001	
525	0.0	6.55	5522	-001	
545	0.0	6.55	5543	-001	
555	0.0	6.55	5550	-001	
505LF	0.0	10.0	5500LF	-001	
525LF	0.0	6.55	5522LF	-001	
545LF	0.0	6.55	5543LF	-001	
555LF	0.0	6.55	5550LF	-001	

mat'l. code				tolerances unless otherwise specified				CUSTOMER COPY		Electronics FCI www.fciconnect.com	
ltr	ecn no	dr	date	linear	.X±.3			projection	title		
F					.XX±.13				68 POSITION EJECT		
				angles	.XXX±.051				HEADER ASSEMBLY		
					0° ±2'			 MM scale 1:1	product family	MCS	code
				dr	R.GRAPE	2/21/98			size	dwg no	sheet
				engr	D.BRANN	2/21/98			A4	74423	4 of
				chr	D.BRANN	2/21/98					
				appd	D.BRANN	2/21/98					
sheet index	revision sheet										

1 | 2

3

4

ACAD

PDM: Rev:F

cage code 22526

STATUS Released

Printed: Oct 12, 2010