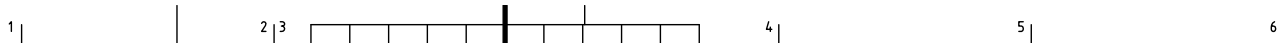


FCI CONFIDENTIAL

FCI

This document is the property of and includes CONFIDENTIAL and PROPRIETARY information of FCI. No part of this information may be used in any way or disclosed to others without the written consent of FCI. Copyright © FCI.



DESCRIPTION: ABOVE PCB, DECK AND PUSH ROD LOCATION ARE AS VIEWED BY USER.

PRODUCT NO. 71240-XXXXX	PUSH-ROD LOCATION		STAND-OFF HEIGHT	(A) CLOSEST TO PCB	(B) FARTHEST FROM PCB	MATING RECEPTACLE C	MOUNTING STYLE TO PCB AND PUSH-ROD SIDE
	DECK CLOSEST TO PCB	DECK FARTHEST FROM PCB		EJ HDR. ASSY 71299-XXXXX	EJ HDR. ASSY 71299-XXXXX		
000CA	LEFT	RIGHT	0.0	100CA	005CA	100 POSITION (2X50) 0.8mm RECEPTACLES PART NO. 73277-101000	
020CA	LEFT	RIGHT	2.2	120CA	025CA		
040CA	LEFT	RIGHT	4.3	140CA	045CA		
050CA	LEFT	RIGHT	5.0	150CA	055CA		
100CA	RIGHT	LEFT	0.0	000CA	105CA		
120CA	RIGHT	LEFT	2.2	020CA	125CA		
140CA	RIGHT	LEFT	4.3	040CA	145CA		
150CA	RIGHT	LEFT	5.0	050CA	155CA		
200CA	RIGHT	RIGHT	0.0	000CA	005CA		
220CA	RIGHT	RIGHT	2.2	020CA	025CA		
240CA	RIGHT	RIGHT	4.3	040CA	045CA		
250CA	RIGHT	RIGHT	5.0	050CA	055CA		
300CA	LEFT	LEFT	0.0	100CA	105CA		
320CA	LEFT	LEFT	2.2	120CA	125CA		
340CA	LEFT	LEFT	4.3	140CA	145CA		
350CA	LEFT	LEFT	5.0	150CA	155CA		

NOTE:
1. SEE 71299 FOR SINGLE DECK APPLICATIONS.

ORDERING INFORMATION
ORDER:
1 (A) DECK CLOSEST TO PCB
2 (B) DECK FARTHEST FROM PCB
3 (C) 2 EACH MATING RECEPTACLES

mat'l. code	surface ISO 1302	tolerance ISO 406 ISO 101	projection 101	product family
lfr	ecn no	dr	date	tolerances unless otherwise specified
H	N08-0060	M Z	04/09/08	angles linear .X±.3
				linear .XX±.13
				±2' .XXX±.051
				scale 3/4
				MM
				title
				CARBUS EJECT ASS'Y
				SMT TYPE 123
				dwg no
				71240
				sheet 1 of 12 size
				A4
				type CUSTOMER Drawing
sheet	revision	H	H	H
index	sheet	1	2	3
		H	H	H
		4	5	6
		H	H	H
		7	8	9
		H	H	H
		10	11	12

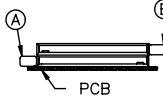
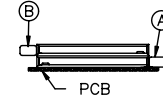
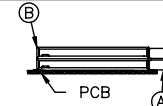
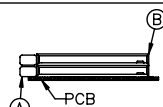
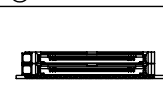

PDM: Rev:H STATUS Released Printed: Oct 12, 2010 6

FCI CONFIDENTIAL

FCI

This document is the property of and includes CONFIDENTIAL and PROPRIETARY information of FCI. No part of the information herein on this document may be used in any way or disclosed to others without the written consent of FCI. Copyright © FCI

DESCRIPTION: ABOVE PCB, DECK AND PUSH ROD LOCATION ARE AS VIEWED BY USER.

PRODUCT NO. 71240-XXXXX	PUSH-ROD LOCATION		STAND-OFF HEIGHT	(A) CLOSEST TO PCB	(B) FARTHEST FROM PCB	MATING RECEPTACLE C	MOUNTING STYLE TO PCB AND PUSH-ROD SIDE
	DECK CLOSEST TO PCB	DECK FARTHEST FROM PCB		EJ HDR. ASSY 71299-XXXXX	EJ HDR. ASSY 71299-XXXXX		
000CALF	LEFT	RIGHT	0.0	100CALF	005CALF	100 POSITION (2X50) 0.8mm RECEPTACLES PART NO. 73277-101402LF	
020CALF	LEFT	RIGHT	2.2	120CALF	025CALF		
040CALF	LEFT	RIGHT	4.3	140CALF	045CALF		
050CALF	LEFT	RIGHT	5.0	150CALF	055CALF		
100CALF	RIGHT	LEFT	0.0	000CALF	105CALF		
120CALF	RIGHT	LEFT	2.2	020CALF	125CALF		
140CALF	RIGHT	LEFT	4.3	040CALF	145CALF		
150CALF	RIGHT	LEFT	5.0	050CALF	155CALF		
200CALF	RIGHT	RIGHT	0.0	000CALF	005CALF		
220CALF	RIGHT	RIGHT	2.2	020CALF	025CALF		
240CALF	RIGHT	RIGHT	4.3	040CALF	045CALF		
250CALF	RIGHT	RIGHT	5.0	050CALF	055CALF		
300CALF	LEFT	LEFT	0.0	100CALF	105CALF		
320CALF	LEFT	LEFT	2.2	120CALF	125CALF		
340CALF	LEFT	LEFT	4.3	140CALF	145CALF		
350CALF	LEFT	LEFT	5.0	150CALF	155CALF		
351CALF	LEFT	LEFT	5.0	151CALF	156CALF		

NOTE:
1. SEE 71299 FOR SINGLE DECK APPLICATIONS.

ORDERING INFORMATION
ORDER:
1 (A) DECK CLOSEST TO PCB
2 (B) DECK FARTHEST FROM PCB
3 (C) 2 EACH MATING RECEPTACLES

mat'l. code	surface ISO 1302	tolerance ISO 406 ISO 101	projection 101	product family CARDBUS
lfr	ecn no	dr	date	title CARDBUS EJECT ASS'Y SMT TYPE 123
H				dwg no 71240
	angles	linear	linear	sheet 2 of 12 size A4
	±2'	.X±.3	.XX±.13	type CUSTOMER Drawing
	dr	D.SHEAFFER	8/7/95	
	enr	D.BRANN	8/7/95	
	chr	D.BRANN	8/7/95	
	pppd	D.BRANN	8/7/95	
sheet index	revision sheet			

PDM: Rev:H STATUS Released Printed: Oct 12, 2010 6

form: A3

FCI CONFIDENTIAL

FCI

This document is the property of and includes CONFIDENTIAL and PROPRIETARY information of FCI. No part of this information may be used in any way or disclosed to others without the written consent of FCI. Copyright © FCI

DESCRIPTION: BELOW PCB, DECK AND PUSH ROD LOCATION ARE AS VIEWED BY USER

PRODUCT NO. 71240-XXXXX	PUSH-ROD LOCATION		STAND-OFF HEIGHT	(A) CLOSEST TO PCB	(B) FARTHEST FROM PCB	MATING RECEPTACLE C	MOUNTING STYLE TO PCB AND PUSH-ROD SIDE
	DECK CLOSEST TO PCB	DECK FARTHEST FROM PCB		EJ HDR. ASSY 71299-XXXXX	EJ HDR. ASSY 71299-XXXXX		
520CA	RIGHT	LEFT	2.2	520CA	625CA	100 POSITION (2X50) 0.8mm RECEPTACLES PART NO. 73277-101000	
540CA	RIGHT	LEFT	4.3	540CA	645CA		
550CA	RIGHT	LEFT	5.0	550CA	655CA		
620CA	LEFT	RIGHT	2.2	620CA	525CA		
640CA	LEFT	RIGHT	4.3	640CA	545CA		
650CA	LEFT	RIGHT	5.0	650CA	555CA		
720CA	RIGHT	RIGHT	2.2	520CA	525CA		
740CA	RIGHT	RIGHT	4.3	540CA	545CA		
750CA	RIGHT	RIGHT	5.0	550CA	555CA		
820CA	LEFT	LEFT	2.2	620CA	625CA		
840CA	LEFT	LEFT	4.3	640CA	645CA		
850CA	LEFT	LEFT	5.0	650CA	655CA		

- NOTE:
- SEE 71299 FOR SINGLE DECK APPLICATIONS.
 - BELOW P.C.B., 0.0mm STAND-OFF IS NOT AVAILABLE.

ORDERING INFORMATION
 ORDER:
 1 (A) DECK CLOSEST TO PCB
 2 (B) DECK FARTHEST FROM PCB
 3 (C) 2 EACH MATING RECEPTACLES

mat'l. code	surface ISO 1302	tolerance ISO 406 ISO 101	projection 101	product family CARDBUS
lfr	ecn no	dr	date	title CARDBUS EJECT ASS'Y SMT TYPE 123
H				dwg no 71240
	angles	linear	linear	sheet 3 of 12 size A4
	±2'	.XXX±.051	scale 3/4	type CUSTOMER Drawing
	dr	D.SHEAFFER	8/7/95	
	engr	D.BRANN	8/7/95	
	chr	D.BRANN	8/7/95	
	pppd	D.BRANN	8/7/95	
sheet index	revision sheet			

PDM: Rev:H STATUS Released Printed: Oct 12, 2010 6

form: A3

FCI CONFIDENTIAL



This document is the property of and includes CONFIDENTIAL and PROPRIETARY information of FCI. No part of the information shown on this document may be used in any way or disclosed to others without the written consent of FCI. Copyright © FCI.

DESCRIPTION: BELOW PCB, DECK AND PUSH ROD LOCATION ARE AS VIEWED BY USER

PRODUCT NO. 71240-XXXX	PUSH-ROD LOCATION		STAND-OFF HEIGHT	(A) CLOSEST TO PCB	(B) FARTHEST FROM PCB	MATING RECEPTACLE C	MOUNTING STYLE TO PCB AND PUSH-ROD SIDE
	DECK CLOSEST TO PCB	DECK FARTHEST FROM PCB		EJ HDR. ASSY 71299-XXXX	EJ HDR. ASSY 71299-XXXX		
520CALF	RIGHT	LEFT	2.2	520CALF	625CALF	100 POSITION (2X50) 0.8mm RECEPTABLES PART NO. 73277-101402LF	
540CALF	RIGHT	LEFT	4.3	540CALF	645CALF		
550CALF	RIGHT	LEFT	5.0	550CALF	655CALF		
620CALF	LEFT	RIGHT	2.2	620CALF	525CALF		
640CALF	LEFT	RIGHT	4.3	640CALF	545CALF		
650CALF	LEFT	RIGHT	5.0	650CALF	555CALF		
720CALF	RIGHT	RIGHT	2.2	520CALF	525CALF		
740CALF	RIGHT	RIGHT	4.3	540CALF	545CALF		
750CALF	RIGHT	RIGHT	5.0	550CALF	555CALF		
820CALF	LEFT	LEFT	2.2	620CALF	625CALF		
840CALF	LEFT	LEFT	4.3	640CALF	645CALF		
850CALF	LEFT	LEFT	5.0	650CALF	655CALF		

- NOTE:
- SEE 71299 FOR SINGLE DECK APPLICATIONS.
 - BELOW P.C.B., 0.0mm STAND-OFF IS NOT AVAILABLE.

ORDERING INFORMATION
 ORDER:
 1 (A) DECK CLOSEST TO PCB
 2 (B) DECK FARTHEST FROM PCB
 3 (C) 2 EACH MATING RECEPTABLES

mat'l. code		surface ISO 1302	tolerance ISO 406 ISO 101	projection 101	product family CARDBUS
ltr	ecr no	dr	date	tolerances unless otherwise specified	title
H				angles linear .X±.3 .XX±.13 ±2' .XXX±.051	CARDBUS EJECT ASS'Y SMT TYPE 123
		dr	D.SHEAFFER 8/7/95	scale 3/4	dwg no 71240
		enr	D.BRANN 8/7/95		sheet 4 of 12 size A4
		chr	D.BRANN 8/7/95		type CUSTOMER Drawing
		pppd	D.BRANN 8/7/95		
sheet index	revision sheet				

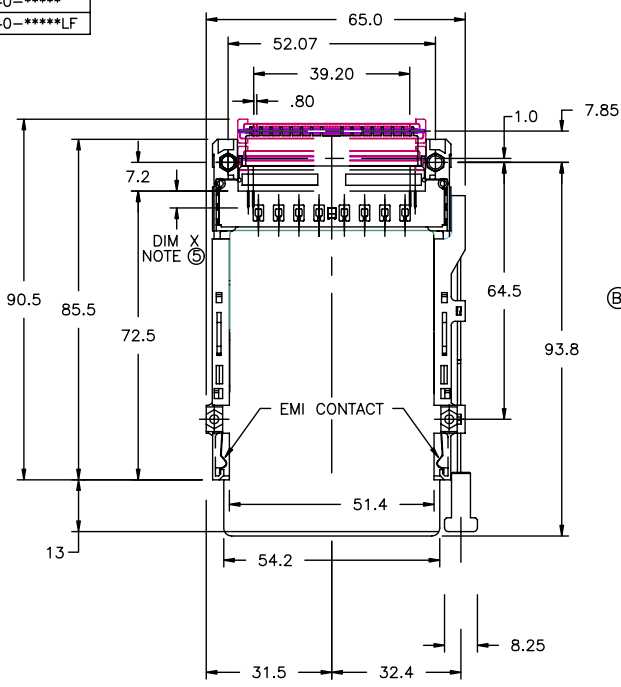
PDM: Rev:H STATUS: Released Printed: Oct 12, 2010 6

FCI CONFIDENTIAL

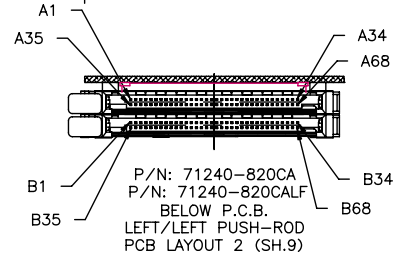
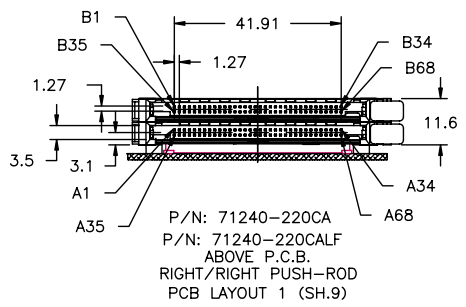
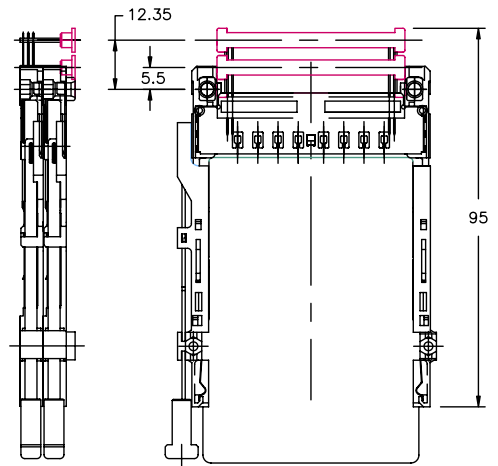
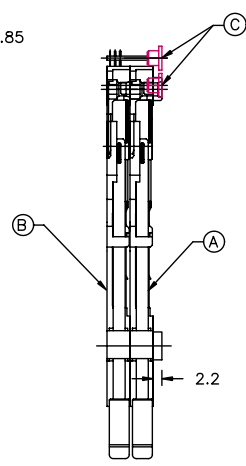
FCI

This document is the property of and includes CONFIDENTIAL and PROPRIETARY information of FCI. No part of this information may be used in any way or disclosed to others without the written consent of FCI. Copyright © FCI.

PRODUCT NUMBER
71240-*****
71240-*****LF



MATING RECEPTACLE SHOWN FOR APPLICATION CLARITY ONLY MUST BE PURCHASED SEPARATELY



mat'l. code	surface	tolerance	projection	product family
	ISO 1302	ISO 406 ISO 101	101	CARDBUS
ltr	ecr	no	dr	date
H				
	angles	linear		
		.X±.3		
		.XX±.13	MM	
		±2°	scale 3/4	
	dr	D.SHEAFFER	8/7/95	
	engr	D.BRANN	8/7/95	
	chr	D.BRANN	8/7/95	
	pppd	D.BRANN	8/7/95	
sheet index	revision sheet			

title	CARDBUS EJECT ASS'Y SMT TYPE 123
dwg no	71240
sheet	5 of 12
size	A4
type	CUSTOMER Drawing

PDM: Rev:H STATUS: Released Printed: Oct 12, 2010 6

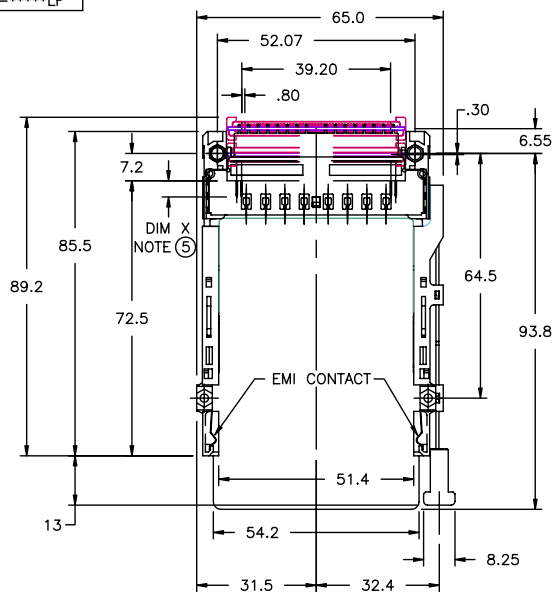
form: A3

FCI CONFIDENTIAL

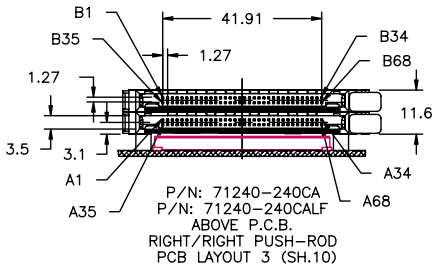
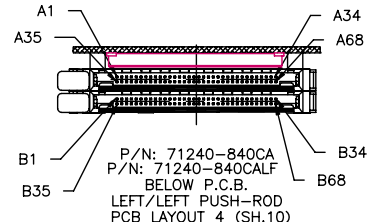
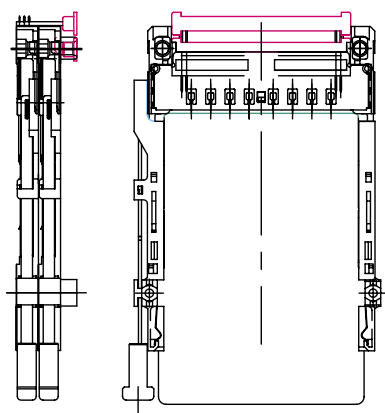
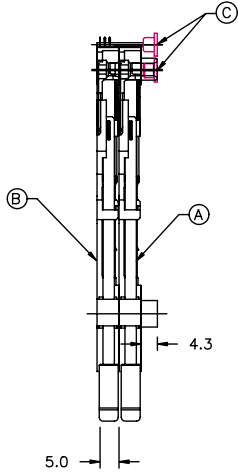
FCI

This document is the property of and includes CONFIDENTIAL and PROPRIETARY information of FCI. No part of this information may be reproduced, stored in a retrieval system, or transmitted in any form or by any means, without the written consent of FCI. Copyright © FCI.

PRODUCT NUMBER
71240-****
71240-****LF



MATING RECEPTACLE SHOWN FOR APPLICATION CLARITY ONLY MUST BE PURCHASED SEPARATELY



mat'l. code	surface	tolerance	projection	product family		
	ISO 1302	ISO 406 ISO 101	ISO 101	CARDBUS		
ltr	ecn no	dr	date	title		
H				CARDBUS EJECT ASS'Y SMT TYPE 123		
		angles	linear	tolerances unless otherwise specified		
		±.3	.XX±.13	MM		
		±2'	.XXX±.051	scale 3/4		
	dr	D.SHEAFFER	8/7/95	FCI		
	engr	D.BRANN	8/7/95			
	chr	D.BRANN	8/7/95			
	pppd	D.BRANN	8/7/95			
sheet index	revision sheet			dwg no	sheet 6 of 12	size
				71240		A4
				type	CUSTOMER	Drawing

PDM: Rev:H STATUS: Released Printed: Oct 12, 2010 6

form: A3

FCI CONFIDENTIAL

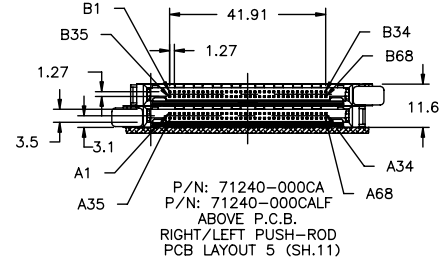
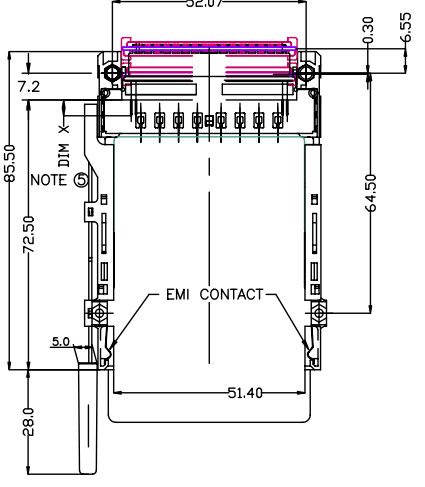
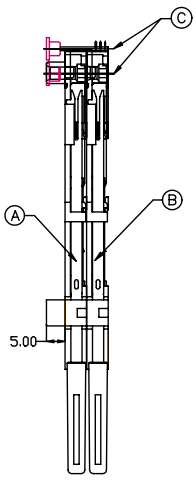
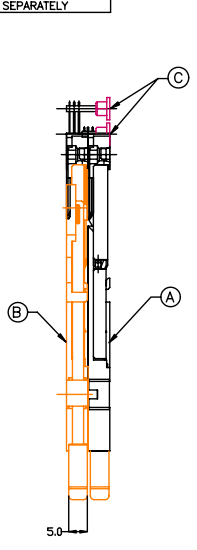
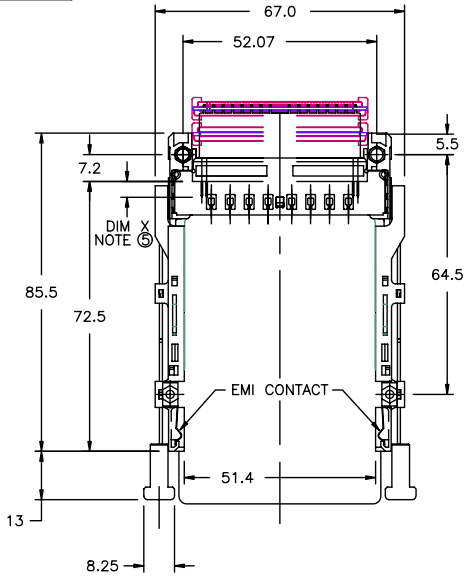


FCIconnect.com

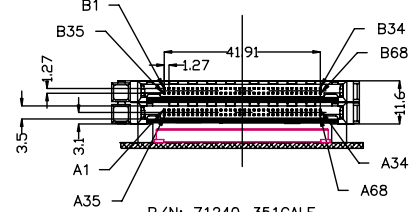
This document is the property of and includes CONFIDENTIAL and PROPRIETARY information of FCI. No part of this information may be used, copied, reproduced, or disseminated in any way without the written consent of FCI. Copyright © FCI.

PRODUCT NUMBER
71240-*****
71240-*****LF

MATING RECEPTACLE SHOWN FOR APPLICATION CLARITY ONLY MUST BE PURCHASED SEPARATELY



P/N: 71240-000CA
P/N: 71240-000CALF
ABOVE P.C.B.
RIGHT/LEFT PUSH-ROD
PCB LAYOUT 5 (SH.11)



P/N: 71240-351CALF
ABOVE P.C.B.
RIGHT/RIGHT PUSH-ROD
PCB LAYOUT 3 (SH.10)

mat'l. code	surface	tolerance	projection	product family
	ISO 1302	ISO 406 ISO 101	MM	CARDBUS
ltr	ecn no	dr	date	title
H				CARDBUS EJECT ASS'Y SMT TYPE 123
		angles	linear	tolerances unless otherwise specified
		±2'	.XX±.13	scale 3/4
		dr	D.SHEAFFER 8/7/95	dwg no
		engr	D.BRANN 8/7/95	71240
		chr	D.BRANN 8/7/95	sheet 8 of 12
		pppd	D.BRANN 8/7/95	A4
sheet index	revision sheet			type CUSTOMER Drawing

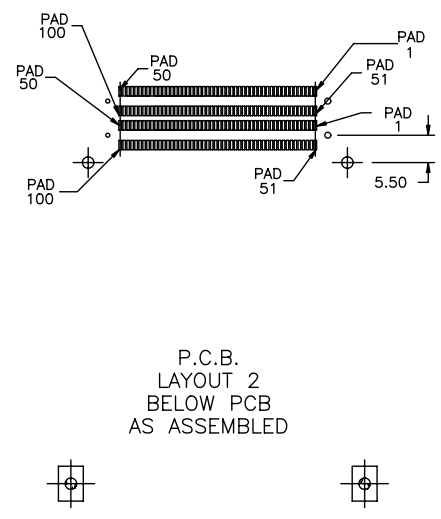
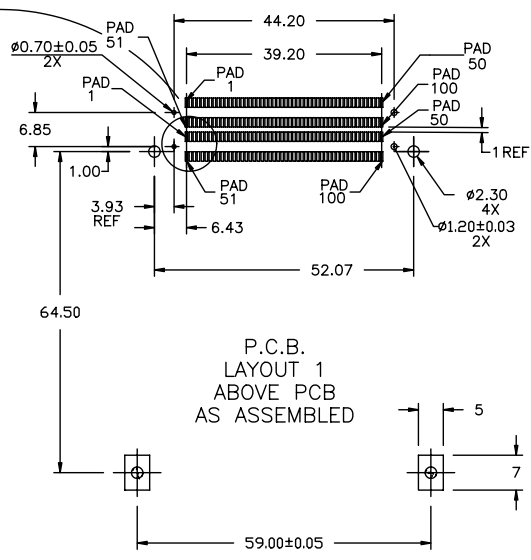
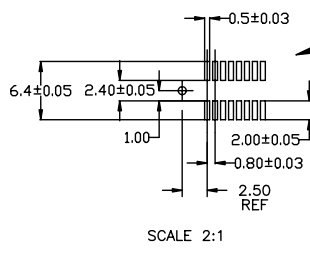
PDM: Rev:H STATUS Released Printed: Oct 12, 2010 6

FCI CONFIDENTIAL

FCI
FCIconnect.com

This document is the property of and includes CONFIDENTIAL and PROPRIETARY information of FCI. No part of the information shown on this document may be used in any way or disclosed to others without the written consent of FCI.
Copyright © FCI

P.C.B. LAYOUT FOR 2.2mm STANDOFF



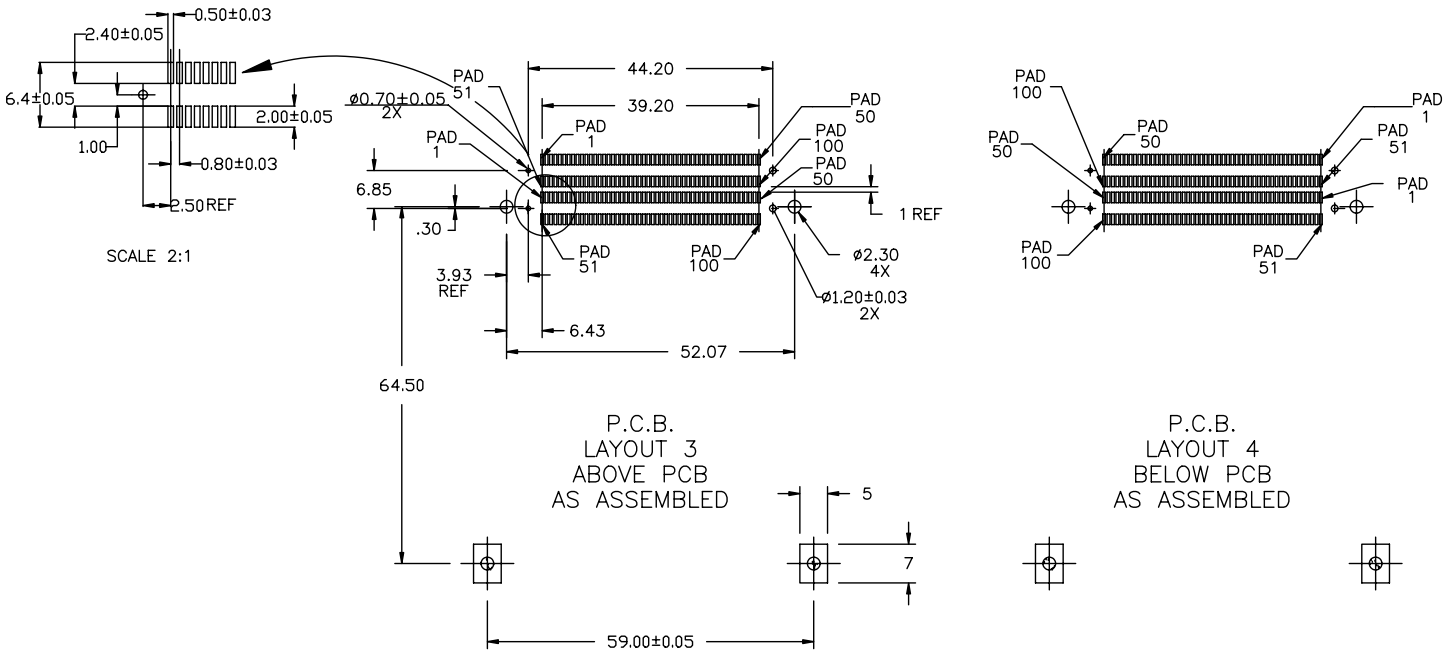
P.C.B. LAYOUT 1
ABOVE PCB
AS ASSEMBLED

P.C.B. LAYOUT 2
BELOW PCB
AS ASSEMBLED

mat'l. code		surface	tolerance	projection	product family
ISO 1302		ISO 406	ISO 101	101	CARDBUS
ltr	ecn no	dr	date	title	
H				CARDBUS EJECT ASS'Y SMT TYPE 123	
angles		tolerances unless otherwise specified		MM	
±2'		linear	.X±.3	scale 3/4	
±2'		linear	.XX±.13	scale 3/4	
±2'		linear	.XXX±.051	scale 3/4	
dr	D.SHEAFFER	8/7/95			
engr	D.BRANN	8/7/95			
chr	D.BRANN	8/7/95			
pppd	D.BRANN	8/7/95			
sheet index	revision sheet	dwg no		sheet 9 of 12	size
		71240			A4
		type		CUSTOMER Drawing	

PDM: Rev:H STATUS Released Printed: Oct 12, 2010 6

P.C.B. LAYOUT FOR 4.3 AND 5.0mm STANDOFFS



P.C.B.
LAYOUT 3
ABOVE PCB
AS ASSEMBLED

P.C.B.
LAYOUT 4
BELOW PCB
AS ASSEMBLED

mat'l. code		surface	tolerance	projection	product family
ISO 1302		ISO 406	ISO 101	MM	CARDBUS
ltr	ecr no	dr	date	title	
H				CARDBUS EJECT ASS'Y SMT TYPE 123	
angles		linear		scale	sheet 10 of 12
±2°		.XX±.13		3/4	size
dr		D.SHEAFFER 8/7/95		A4	
enr		D.BRANN 8/7/95		dwg no	
chr		D.BRANN 8/7/95		71240	
pppd		D.BRANN 8/7/95		type	
				CUSTOMER Drawing	
sheet index	revision sheet				

PDM: Rev:H STATUS: Released Printed: Oct 12, 2010 6

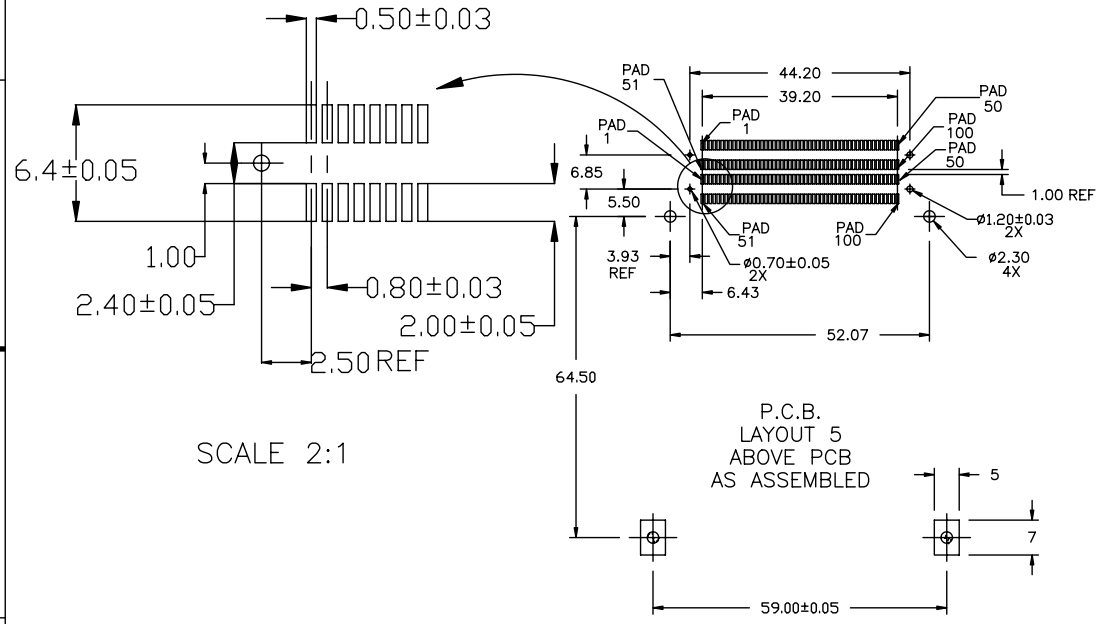
FCI CONFIDENTIAL
 FCI
 FCIconnect.com
 This document is the property of and includes CONFIDENTIAL and PROPRIETARY information of FCI. No part of this information may be used in any way or disclosed to others without the written consent of FCI.
 Copyright © FCI

FCI CONFIDENTIAL



This document is the property of and includes CONFIDENTIAL and PROPRIETARY information of FCI. No part of the information shown on this document may be used in any way or disclosed to others without the written consent of FCI. Copyright FCI.

P.C.B. LAYOUT FOR 0mm STANDOFF



SCALE 2:1

P.C.B. LAYOUT 5 ABOVE PCB AS ASSEMBLED

mat'l. code		surface	tolerance	projection	product family
ISO 1302		ISO 406	ISO 101	MM	CARDBUS
ltr	ecn no	dr	date	title	
H				CARDBUS EJECT ASS'Y SMT TYPE 123	
		angles	.X±.3		
		linear	.XX±.13		
		±2'	.XXX±.051	scale	3/4
dr	D.SHEAFFER	8/7/95			
engr	D.BRANN	8/7/95			
chr	D.BRANN	8/7/95			
pppd	D.BRANN	8/7/95			
sheet index	revision sheet				

PDM: Rev:H STATUS Released Printed: Oct 12, 2010 6

form: A3

FCI CONFIDENTIAL



This document is the property of and includes CONFIDENTIAL and PROPRIETARY information of FCI. No part of the information herein may be used in any way or disclosed to others without the written consent of FCI. Copyright © FCI.

HEADER PINOUT	TYPE	BTB 100 POS RECEPTACLE	HEADER PINOUT	TYPE	BTB 100 POS RECEPTACLE	SHIELD PINOUT	TYPE	BTB 100 POS RECEPTACLE
1	GND	1	35	GND	51	1	GND	4 & 54
2	SIG	2	36	DET	52	2	GND	7 & 57
3	SIG	3	37	SIG	53	3	GND	10 & 60
4	SIG	5	38	SIG	55	4	GND	13 & 63
5	SIG	6	39	SIG	56	5	GND	16 & 66
6	SIG	8	40	SIG	58	6	GND	19 & 69
7	SIG	9	41	SIG	59	7	GND	22 & 72
8	SIG	11	42	SIG	61	8	GND	25 & 75
9	SIG	12	43	SIG	62	9	GND	26 & 76
10	SIG	14	44	SIG	64	10	GND	29 & 79
11	SIG	15	45	SIG	65	11	GND	32 & 82
12	SIG	17	46	SIG	67	12	GND	35 & 85
13	SIG	18	47	SIG	68	13	GND	38 & 88
14	SIG	20	48	SIG	70	14	GND	41 & 91
15	SIG	21	49	SIG	71	15	GND	44 & 94
16	SIG	23	50	SIG	73	16	GND	47 & 97
17	PWR	24	51	PWR	74			
18	SIG	27	52	SIG	77			
19	SIG	28	53	SIG	78			
20	SIG	30	54	SIG	80			
21	SIG	31	55	SIG	81			
22	SIG	33	56	SIG	83			
23	SIG	34	57	SIG	84			
24	SIG	36	58	SIG	86			
25	SIG	37	59	SIG	87			
26	SIG	39	60	SIG	89			
27	SIG	40	61	SIG	90			
28	SIG	42	62	SIG	92			
29	SIG	43	63	SIG	93			
30	SIG	45	64	SIG	95			
31	SIG	46	65	SIG	96			
32	SIG	48	66	SIG	98			
33	SIG	49	67	DET	99			
34	GND	50	68	GND	100			

- NOTES:
- 8mm MIN CARD EJECT.
 - EJECT TRAVEL: 9.5mm
 - MATERIAL:
 - HEADER ASSY:
 - PLASTIC HOUSING: LCP UL94V-0 BLACK - ABOVE PCB
 - LCP UL94V-0 BLACK - BELOW PCB
 - PHOSPHOR BRONZE
 - PCB: FR4
 - EJECT MECHANISM ASSY:
 - PLASTIC GUIDE: POLYPHTHARAMID UL94V-0 BLACK
 - PLASTIC PUSH-ROD BUTTON: POLYPHTHARAMID UL94V-0 BLACK
 - COVER PLATE, EJECT PLATE, LINK ARM, PUSH ROD: STAINLESS STEEL
 - EMI CONTACT: PHOSPHOR BRONZE
 - .8 BTB RECEPTACLE: (73277-101000 FOR TIN LEAD)
 - .8 BTB RECEPTACLE: (73277-101402LF FOR LEAD FREE)
 - PLASTIC: LCP 94V-0 BLACK
 - CONTACT: BeCu
- FINISH (PIN)
 - UNDER PLATING: 0.5um Ni
 - CONTACT AREA: 0.1um GOLD OVER
 - 0.5um Pd-Ni
 - SOLDER TAIL: TIN LEAD OPTION: 2.5um Sn-Pb
 - LEAD FREE OPTION: 2.5um PURE TIN

⑤ DIM "X"

4.25±0.1	3.5±0.1	5.0±0.1
OTHERS	36,67	1,17,34,35,51,68

- RECOMMENDED SCREW TORQUE: 1.0 TO 1.5 MAX in-lbs. (1.2-1.7 cm-kgs).
RECOMMENDED HOLD-DOWN: 2mm SCREWS AND HEX NUTS.
SEE DRAWINGS 95121 AND 92869 FOR CHARTED INFORMATION.
- ORDER MATING RECEPTABLES SEPARATELY.
- IF LEAD FREE P/N, THE HOUSING WILL WITHSTAND EXPOSURE TO 260°C PEAK TEMPERATURE FOR 10 SECONDS IN A WAVE SOLDER APPLICATION WITH A 1.00MM MINIMUM THICK CIRCUIT BOARD.
- IF LEAD FREE P/N, THE PRODUCT MEETS EUROPEAN UNION DIRECTIVES AND OTHER COUNTRY REGULATIONS AS DISCRIBLED IN GS-22-008
- LEAD FREE P/N PACKAGING MEETS GS-14-920 SPECIFICATION

mat'l. code		surface	tolerance	projection	product family
		ISO 1302	ISO 406 ISO 101		CARDBUS
ltr	ecr no	dr	date	title	
H				CARDBUS EJECT ASS'Y SMT TYPE 123	
		angles	linear	linear	MM
		±2°	.X±.3	linear	scale 3/4
		dr	D.SHEAFFER 8/7/95	dwg no 71240 sheet 12 of 12 size A4	
		enr	D.BRANN 8/7/95	FCI	
		chr	D.BRANN 8/7/95	type CUSTOMER Drawing	
		ppd	D.BRANN 8/7/95		
sheet index	revision sheet				