

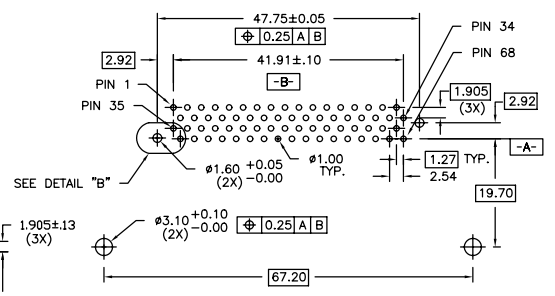
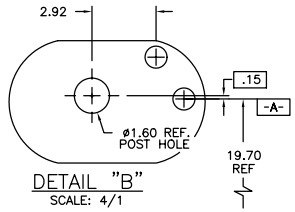
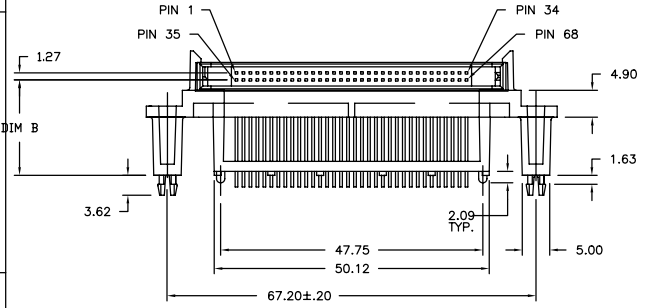
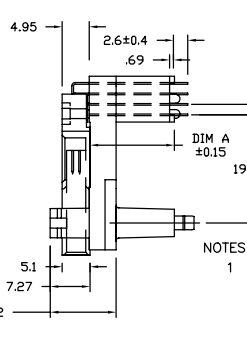
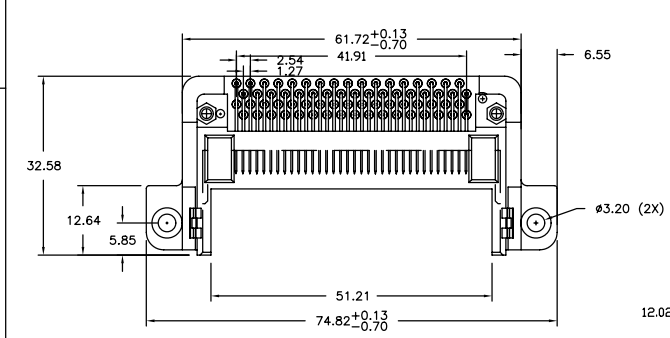
PRODUCT NO.	DIM "A"	DIM "B"	Comments
87536-001LF	8.90	10.8	
87536-011LF	8.90	10.8	SEE NOTE 2
87536-002/002LF	12.70	14.6	
87536-003/003LF	SEE SHEET 2	SEE SHEET 2	
87536-004LF	15.50	17.4	
87536-014LF	15.50	17.4	SEE NOTE 2
87536-005/005LF	SEE SHEET 3	SEE SHEET 3	

A

B

C

D



P.C.B. LAYOUT

NOTES:

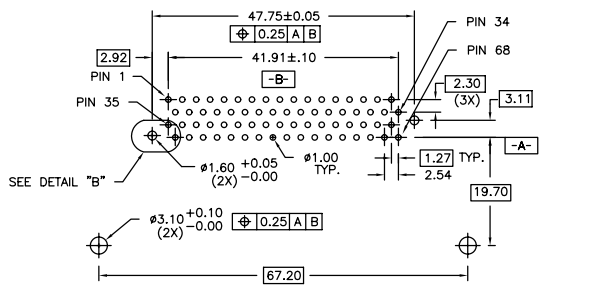
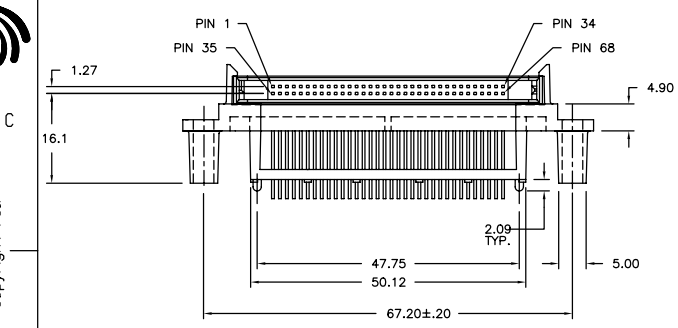
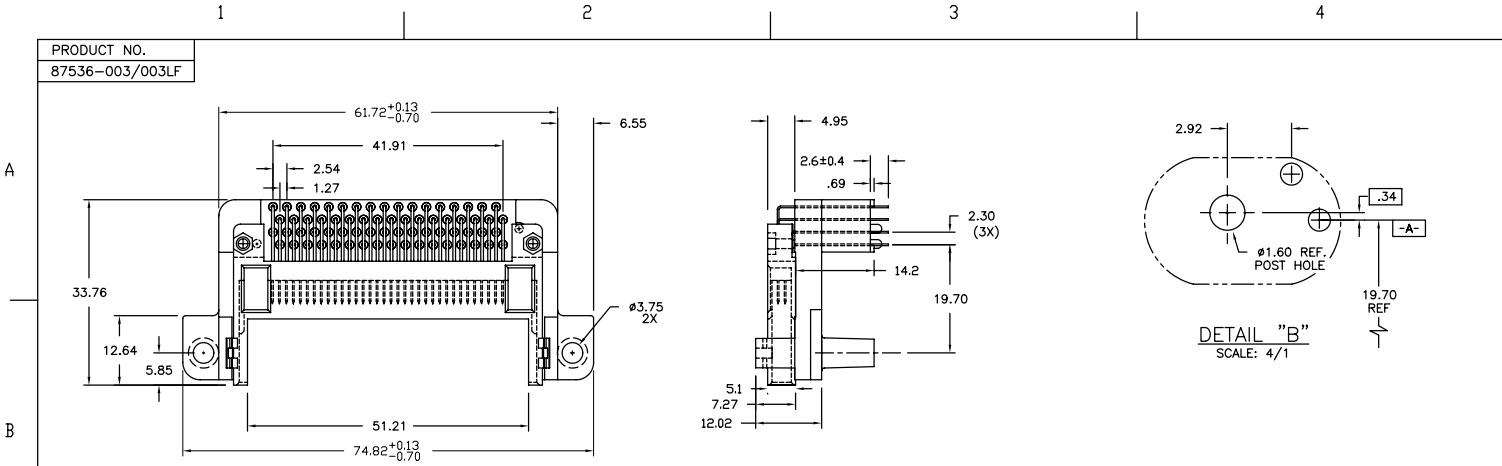
- MATERIAL:
CONTACT - PHOSPHOR BRONZE
HEADER HOUSING - GLASS REINFORCED LCP AS PER UL94V-0
STANDOFF- UNREINFORCED NYLON UL94V-0
- PLATING:
CONTACT - ALL OVER 1.27um NICKEL UNDER PLATING
0.1um GOLD OVER 0.5um PALLADIUM
NICKEL SELECTIVE PLATING ON CONTACT.
(0.13um GOLD OVER 0.625um PALLADIUM
NICKEL SELECTIVE PLATING ON CONTACT.
ONLY FOR -011LF AND 014LF)
2.5um TIN/LEAD PLATING ON TIN LEAD SOLDER TAIL
2.5um PURE TIN PLATING ON LEAD FREE SOLDER TAIL
- MATING CONNECTOR
TO MATE WITH 68 POS. RECEPTACLE BASED ON
JEIDA/PCMCIA SPECIFICATION
- IF LEAD FREE P/N. THE HOUSING WILL WITHSTAND EXPOSURE TO 260°C. PEAK TEMPERATURE FOR 10 SECONDS IN A WAVE SOLDER APPLICATION WITH A 1.00MM MINIMUM THICK CIRCUIT BOARD.
- IF LEAD FREE P/N. PACKAGING MEETS GS-14-920 SPECIFICATION
- LEAD FREE PRODUCT MEETS EUROPEAN UNION DIRECTIVES AND OTHER COUNTRY REGULATIONS AS DESCRIBED IN GS-22-008
- PRODUCT SPECIFICATION APR-12-031, PACKING SPECIFICATION BUS-14-357

rev	ecn no	dr	date
p	N06-0065	MZ	03/14/06
R	N10-0082	SH	05/30/10
S	N10-0140	SH	06/29/10
T	N10-0331	David	09/20/10
U	N10-0339	SH	09/30/2010
-	-	-	-
-	-	-	-

www.fciconnect.com		surface 6.4	tolerance std	projection	MM
		Iso 1302	Iso406 Iso 1101	⊕	Scale
		TOLERANCES UNLESS OTHERWISE SPECIFIED		size A4	ECN N10-0331
Dr	R.GRAPE	3/6/96	ANGULAR	0.X	± 0.3
Eng	CHONG YI	3/6/96	LINEAR	0.XX	± 0.15
Chr	CHONG YI	3/6/96	0° ±2°	0.XXX	± 0.05
Appr	CHONG YI	3/6/96	Product family	PCMCIA	Spec ref
FCI		title		87536	
		HEADER ASSEMBLY W/STANDOFF		Rev. U	
catalog no		CUSTOMER		sheet 1 of 3	

REV 7 - 2004-07

PRODUCT NO.
87536-003/003LF

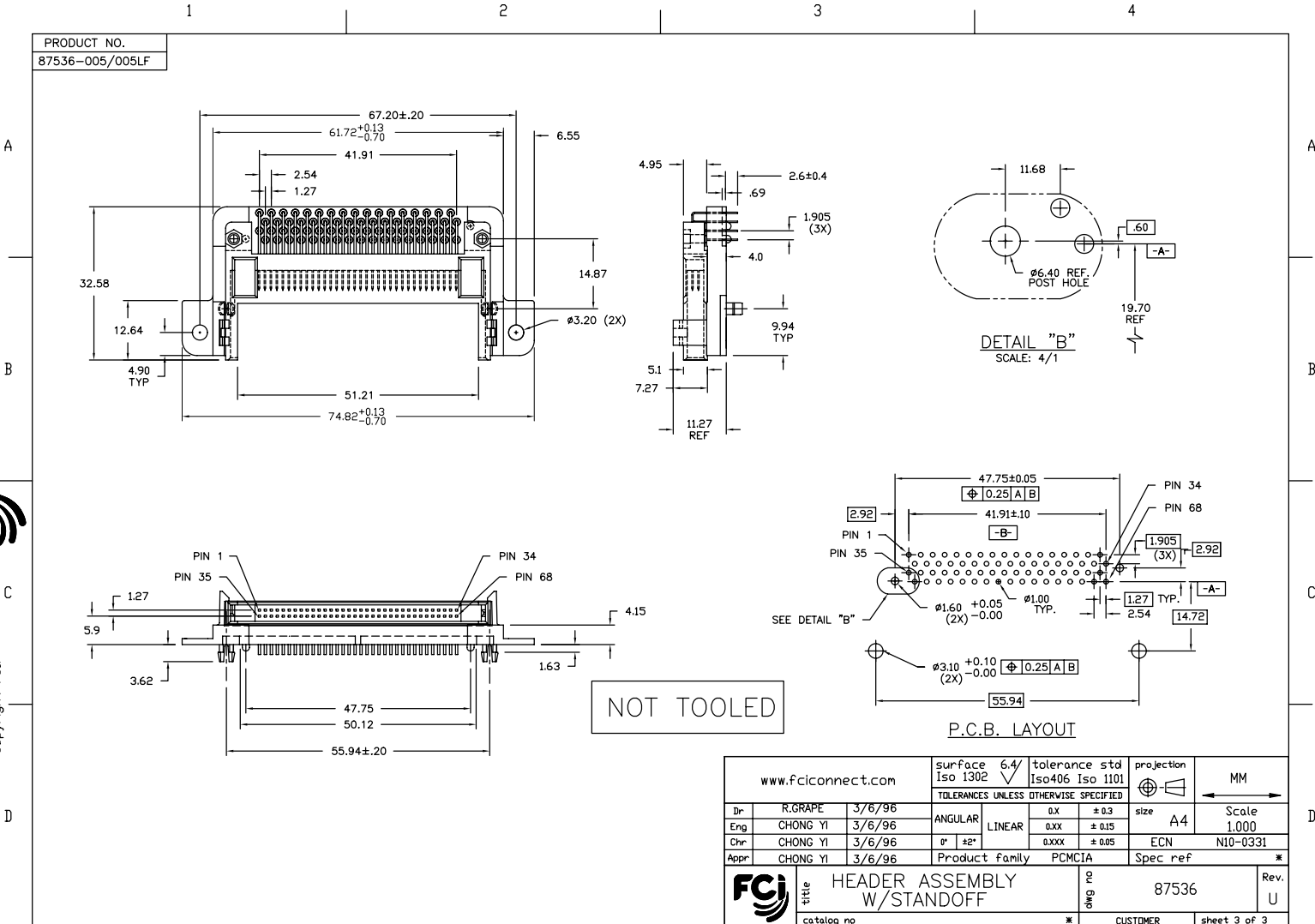


P.C.B. LAYOUT

www.fciconnect.com		surface 6.4/	tolerance std	projection	MM
		Iso 1302	Iso 406 Iso 1101		←
		TOLERANCES UNLESS OTHERWISE SPECIFIED			→
Dr	R.GRAPE 3/6/96	ANGULAR	LINEAR	0.X ± 0.3	size A4 Scale 1.000
Eng	CHONG YI 3/6/96	0° ± 2°		0.XXX ± 0.15	ECN N10-0331
Chr	CHONG YI 3/6/96			0.XXXX ± 0.05	
Appr	CHONG YI 3/6/96	Product family	PCMCIA	Spec ref	*
	title	HEADER ASSEMBLY W/STANDOFF		part no	87536
	catalog no	*		CUSTOMER	sheet 2 of 3

Copyright FCI.

PRODUCT NO.
87536-005/005LF



Copyright FCI.

www.fciconnect.com		surface 6.4 Iso 1302	tolerance std Iso 406 Iso 1101	projection MM
TOLERANCES UNLESS OTHERWISE SPECIFIED		0.X ± 0.3	size A4	Scale 1.000
Dr	R.GRAPE 3/6/96	ANGULAR	0.XX ± 0.15	ECN NI0-0331
Eng	CHONG YI 3/6/96	LINEAR	0.XXX ± 0.05	
Chr	CHONG YI 3/6/96	0° ± 2°		
Appr	CHONG YI 3/6/96	Product family PCMCIA	Spec ref	
FCI	title HEADER ASSEMBLY W/STANDOFF	part no 87536	Rev. U	
catalog no		CUSTOMER	sheet 3 of 3	