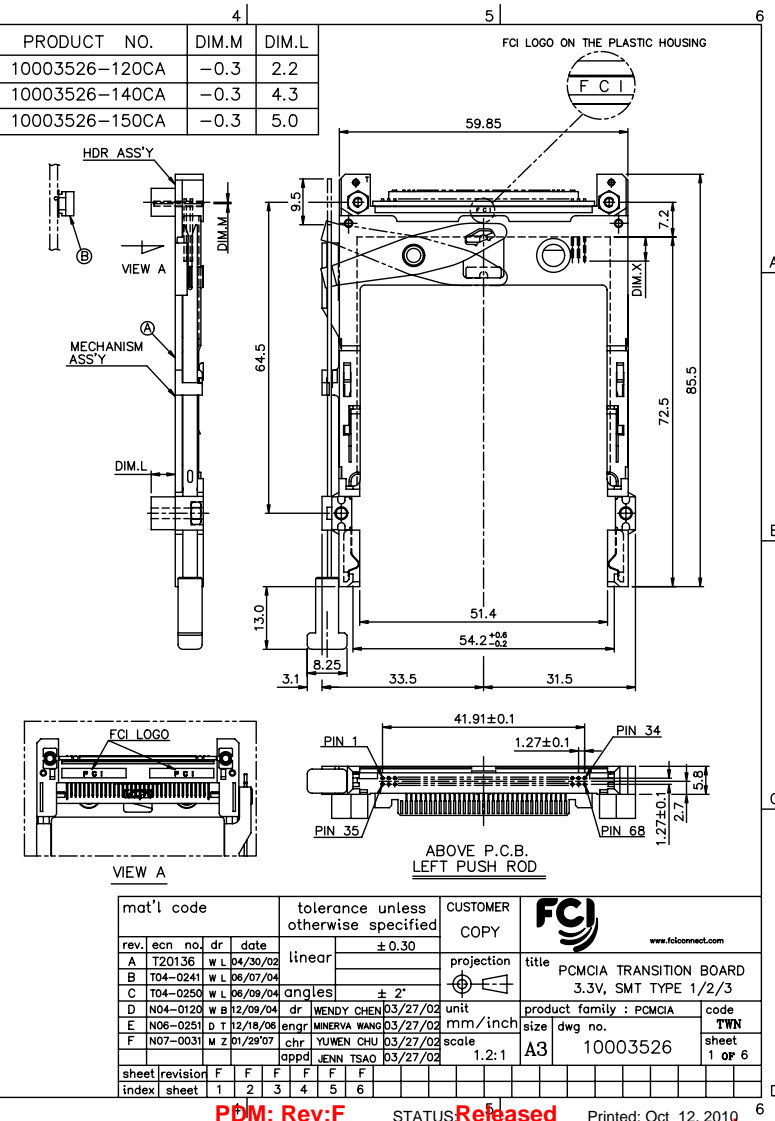
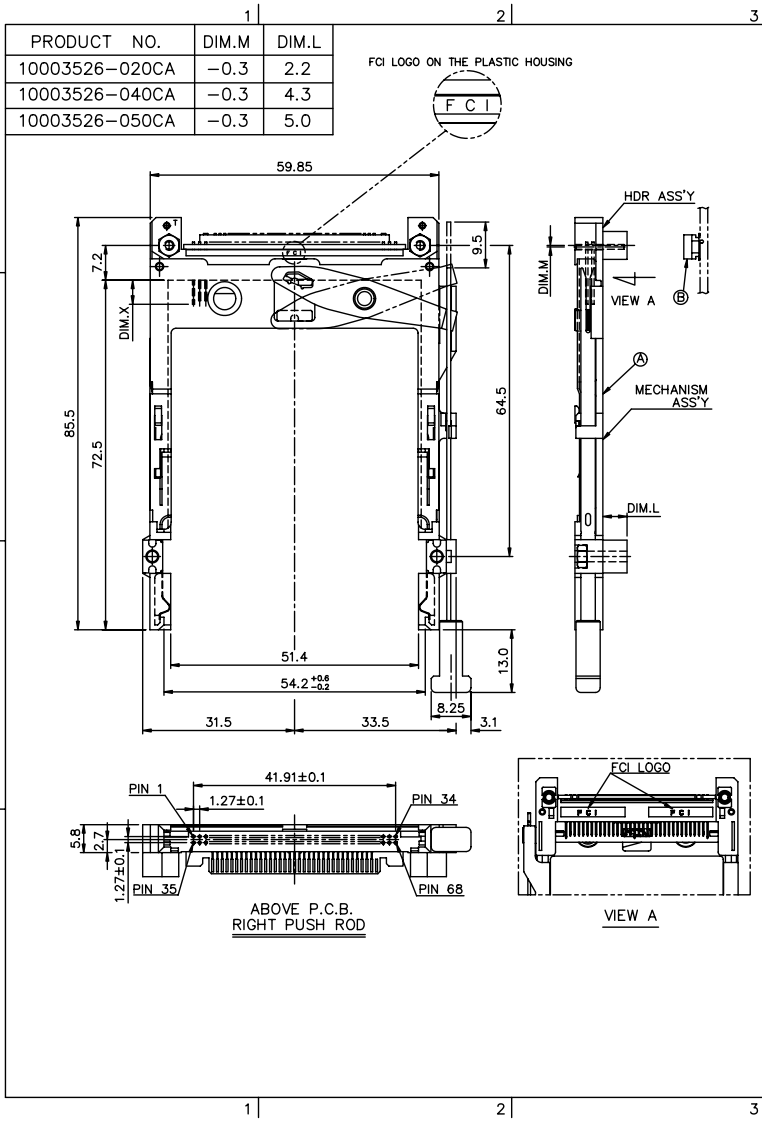
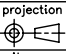


Tous droits réservés. Toute réimpression ou communication sans autorisation écrite du propriétaire. Property of BERG ELECTRONICS. All rights reserved. Reproduction or issue to third parties in any form without the written authority from the proprietor. Copyright BERG ELECTRONICS.



mat'l code		tolerance unless otherwise specified		CUSTOMER COPY		FCI	
rev.	ecn no. dr	date	linear	±0.30	projection	title	
A	T20136	w l 04/30/02				PCMCIA TRANSITION BOARD	
B	T04-0241	w l 06/07/04				3.3V, SMT TYPE 1/2/3	
C	T04-0250	w l 06/09/04	angles	± 2°		product family : PCMCIA	code
D	N04-0120	w s 12/06/04	dr	WENDY CHEN	03/27/02	unit	1TW
E	N06-0251	d t 12/18/06	engr	MINERVA WANG	03/27/02	mm/inch	1 of 6
F	N07-0031	m z 01/29/07	chr	YUMEN CHU	03/27/02	scale	
			appd	JENN TSAO	03/27/02	size	
sheet	revisior	F	F	F	F	A3	10003526
index	sheet	1	2	3	4	5	6

All rights are reserved. Reproduction or translation in any form or by any means, without written authority from the proprietor.
 Toute toute réimpression, réédition, ou communication à des tiers sans autorisation écrite du propriétaire.
 Property of © BERG ELECTRONICS
 Copyright BERG ELECTRONICS by

PRODUCT NO.	DIM.M	DIM.L	
10003526-620CA	-0.3	2.2	FCI LOGO ON THE PLASTIC HOUSING
10003526-640CA	-0.3	4.3	
10003526-650CA	-0.3	5.0	

PRODUCT NO.	DIM.M	DIM.L	
10003526-520CA	-0.3	2.2	FCI LOGO ON THE PLASTIC HOUSING
10003526-540CA	-0.3	4.3	
10003526-550CA	-0.3	5.0	

BELOW P.C.B. RIGHT PUSH ROD			
PIN 68	41.91±0.1	1.27±0.1	PIN 35
PIN 34			PIN 1
5.8			
2.7			
1.27±0.1			

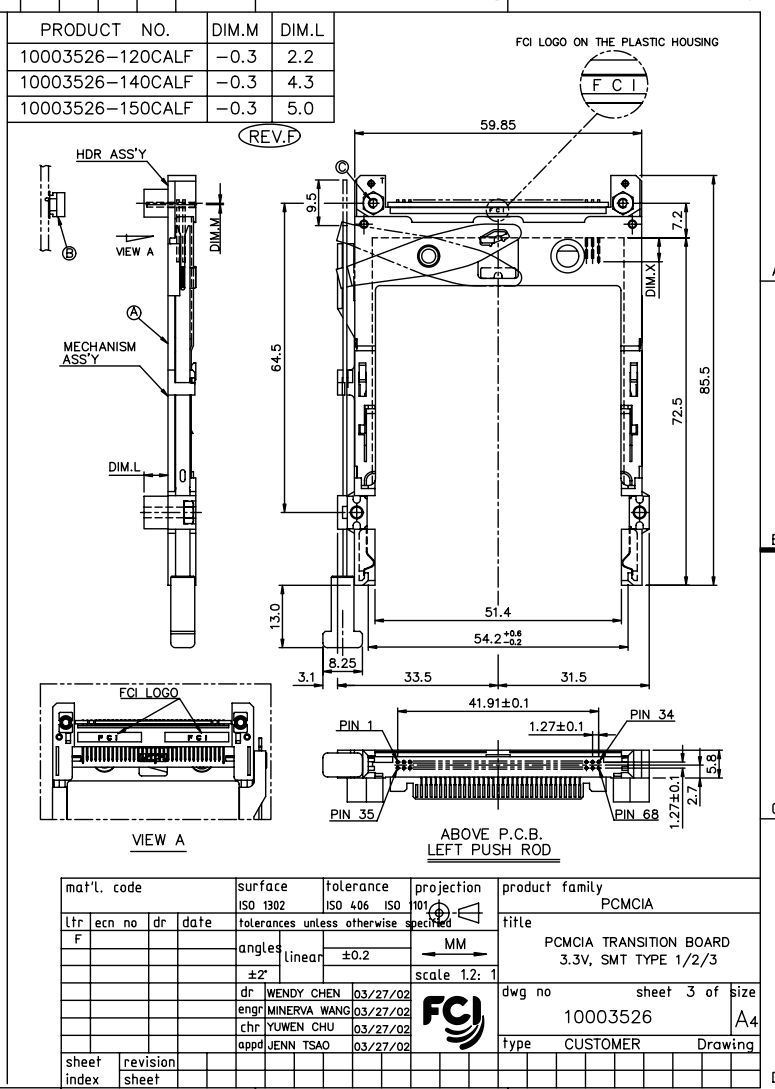
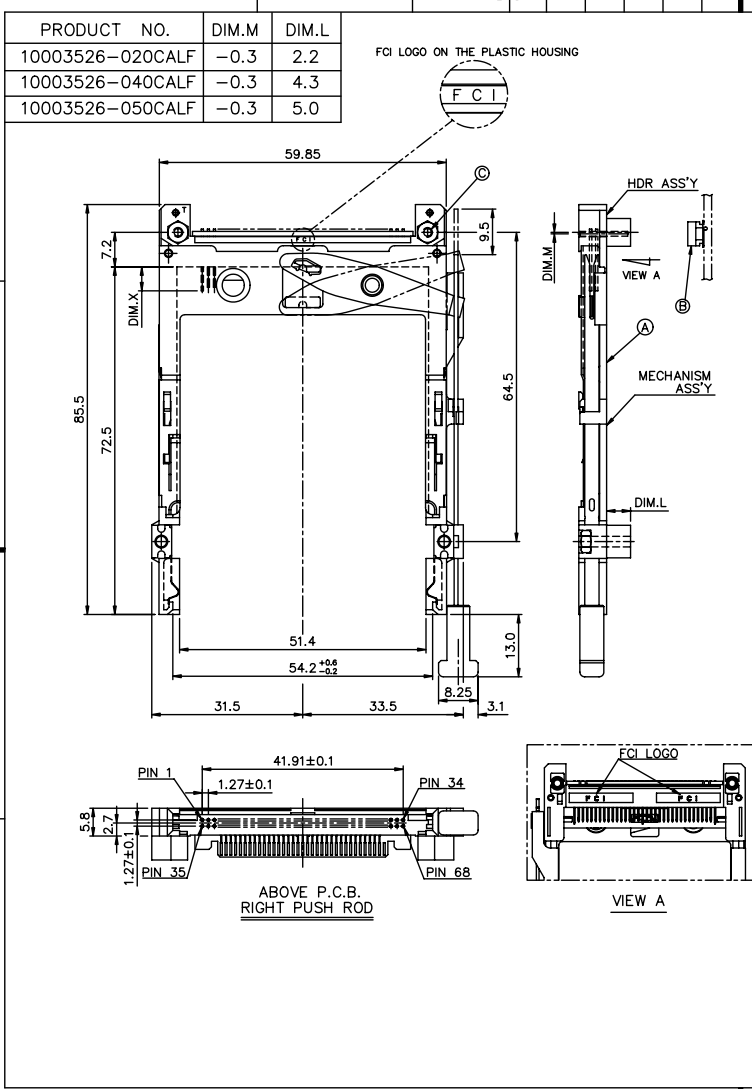
BELOW P.C.B. LEFT PUSH ROD			
PIN 68	41.91±0.1	1.27±0.1	PIN 35
PIN 34			PIN 1
5.8			
2.7			
1.27±0.1			

mat'l code	tolerance unless otherwise specified	CUSTOMER COPY	FCI
rev. ecn no. dr date	linear ±0.30	projection	title
F	angles ± 2°	unit	PCMCIA TRANSITION BOARD
dr WENDY CHEN 03/27/02	enr MINERVA WANG 03/27/02	size	3.3V, SMT TYPE 1/2/3
chr YUWEN CHU 03/27/02	appd JENN TSAO 03/27/02	scale	product family : PCMCIA
sheet index	revision sheet	1.2:1	size A3
			dwg no. 10003526
			code TWN
			sheet 2 of 2

FCI CONFIDENTIAL

FCI

This document is the property of and includes CONFIDENTIAL and PROPRIETARY information of FCI. No part of the information herein may be used in any way or disclosed to others without the written consent of FCI. Copyright © FCI.



mat'l. code	surface	tolerance	projection	product family
	ISO 1302	ISO 406 ISO 101	101	PCMCIA
ltr	ecn	no	dr	date
F				
tolerances unless otherwise specified				title
angles	linear	±0.2	MM	PCMCIA TRANSITION BOARD
±2°			scale 1.2: 1	3.3V, SMT TYPE 1/2/3
dr	WENDY CHEN	03/27/02		dwg no
engr	MINERVA WANG	03/27/02		sheet 3 of size
chr	YUWEN CHU	03/27/02		10003526
appd	JENN TSAO	03/27/02		A4
sheet	revision			type
index	sheet			CUSTOMER Drawing

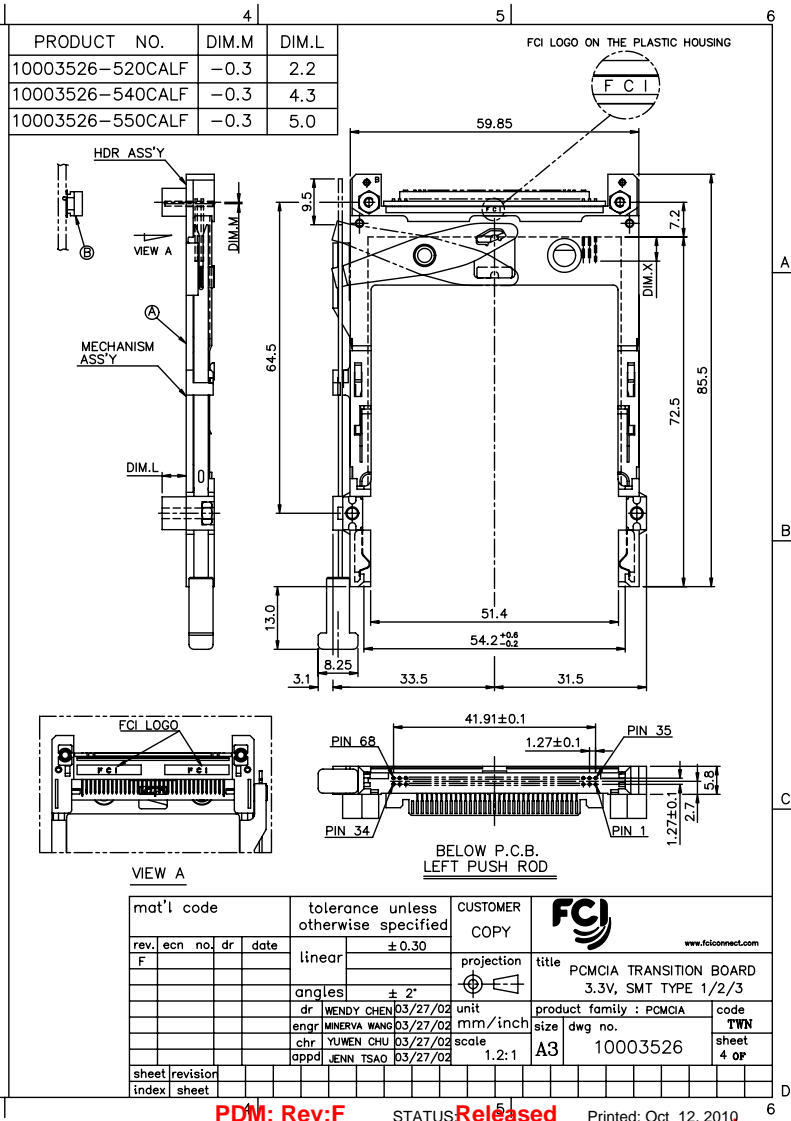
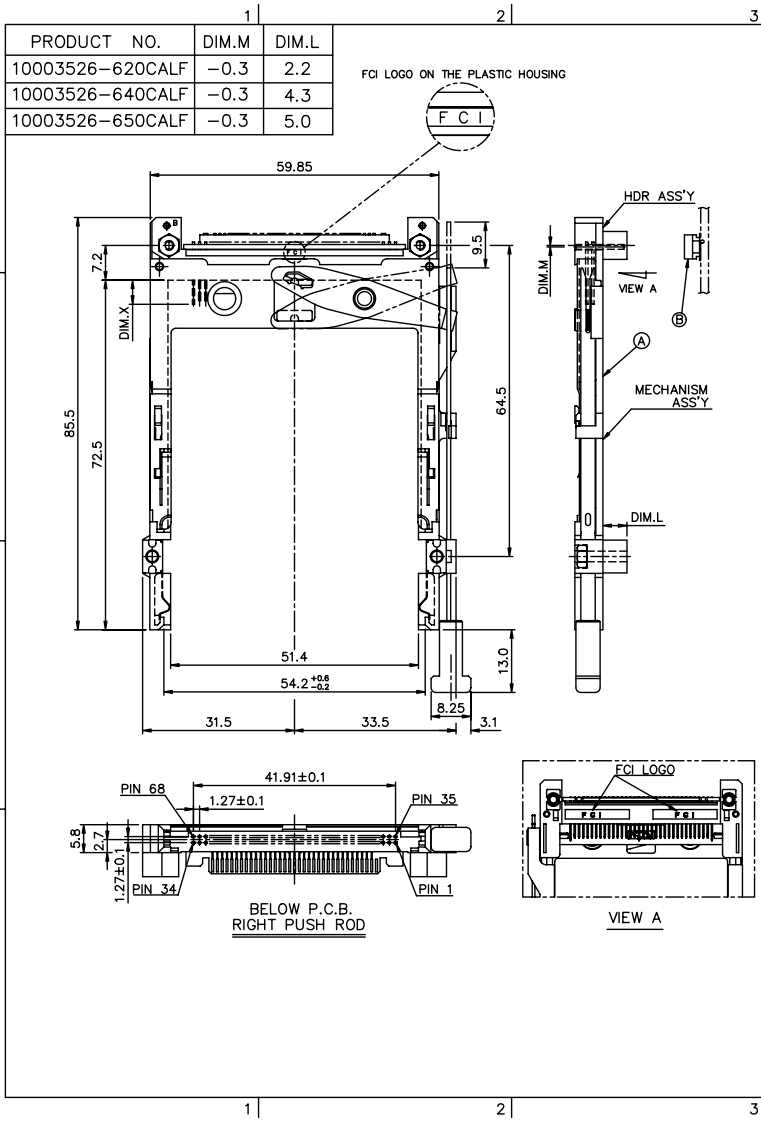
PDM! Rev:F STATUS Released Printed: Oct 12, 2010 6

form: A3

3

D

All rights are reserved. Reproduction or transmission in any form or by any means, without the prior written permission of FCI is prohibited. Property of FCI BERG ELECTRONICS. Copyright BERG ELECTRONICS by FCI.



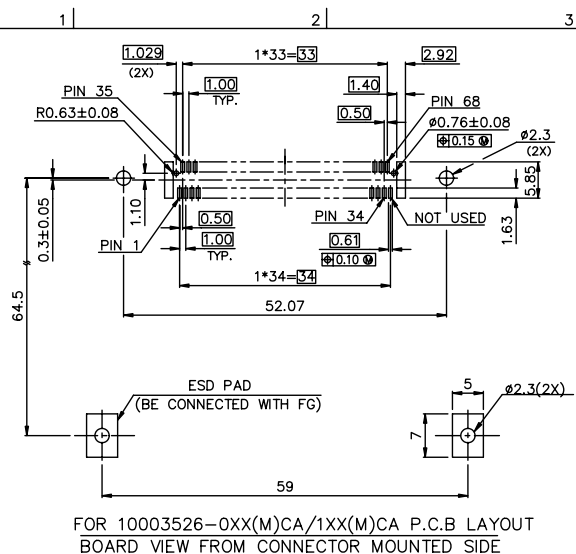
mat'l code	tolerance unless otherwise specified	CUSTOMER COPY	FCI	
rev. ecn no. dr date	linear ± 0.30	projection	www.fciconnect.com	
	angles ± 2°	unit	title PCMCIA TRANSITION BOARD	
dr WENDY CHEN 03/27/02		mm/inch	3.3V, SMT TYPE 1/2/3	
enrg MINERVA WANG 03/27/02		size	product family : PCMCIA	code
chr YUWEN CHU 03/27/02		scale 1.2:1	size A3	10003526
appd JENN TSAO 03/27/02			dwg no.	TWN
sheet index	revision sheet			sheet 4 of 4

PDM: Rev:F STATUS **Released** Printed: Oct 12, 2010

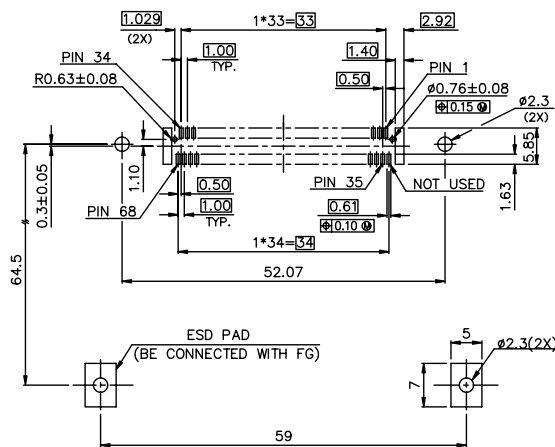
Tous droits réservés. Toute réimpression, reproduction ou communication à des tiers sans autorisation écrite de BERG ELECTRONICS est formellement interdite.



All rights are reserved. Reproduction or communication to third parties in any form without written authorization of BERG ELECTRONICS is strictly prohibited.



FOR 10003526-0XX(M)CA/1XX(M)CA P.C.B LAYOUT
BOARD VIEW FROM CONNECTOR MOUNTED SIDE



FOR 10003526-5XX(M)CA/6XX(M)CA P.C.B LAYOUT
BOARD VIEW FROM CONNECTOR MOUNTED SIDE

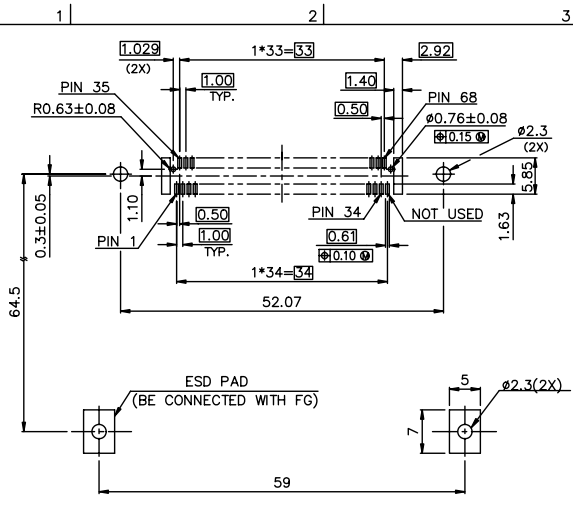
NOTES:

- 8mm MIN. CARD EJECT.
- EJECT TRAVEL: 9.5mm
- PUSH ROD LOCATION AND P.C.B. SIDE ARE AS APPEARS INSTALLED.
- MATERIAL
 - HEADER ASS'Y:
PLASTIC : HOUSING ...LCP UL94V-0 BLACK
PIN : COPPY ALLOY (REV.F)
PCB : FR4
 - EJECT MECHANISM ASS'Y:
GUIDE: PLASTIC ,UL94V-0 BLACK (REV.F)
BUTTON: PLASTIC, UL94V-0 BLACK
PLATE AND PUSH ROD : STAINLESS STEEL
EMI CONTACT: PHOSPHOR BRONZE
- FINISH (PIN)
 - UNDER PLATING : 0.5µm MIN. Ni
 - CONTACT AREA : 0.1µm MIN. GOLD OVER
 - 0.5µm MIN. Pd-Ni
 - CONTACT AREA (FOR****LF) : 0.25µm MIN. GOLD (REV.F)
 - SOLDER TAIL(TIN LEAD OPTION): 2.5µm MIN. Sn-Pb
 - SOLDER TAIL(LEAD FREE OPTION): 2.5µm MIN. PURE TIN
- IF LEAD FREE P/N.THE HOUSING WILL WITHSTAND EXPOSURE TO 260°C PEAK TEMPERATURE FOR 10 SECONDS IN A WAVE SOLDER APPLICATION WITH A 1.00MM MINIMUM THICK CIRCUIT BOARD.
- LEAD FREE PRODUCT MEETS EUROPEAN UNION DIRECTIVES AND OTHER COUNTRY REGULATIONS AS DISCRIBED IN GS-22-008
- LEAD FREE PRODUCT PACKAGING MEETS GS-14-920 SPECIFICATION
- DIM "X"

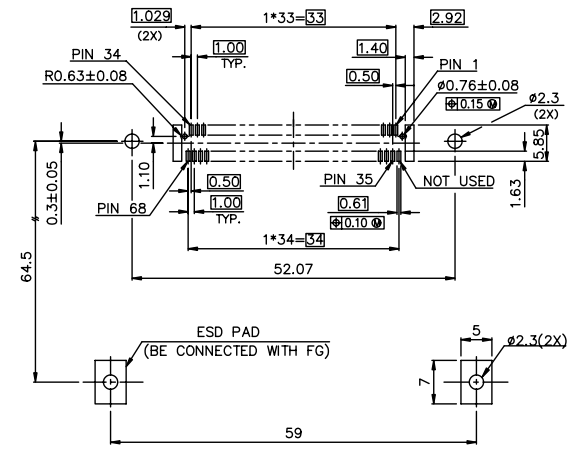
4.25±0.1	3.5±0.1	5.0±0.1
OTHERS	36,67	1,17,34,35,51,68

mat'l code		tolerance unless otherwise specified		CUSTOMER COPY		FCJ		www.fcjconnect.com	
rev.	ecn no.	dr	date	linear	±0.1	projection	title		
F				angles		⊕	P.C.B LAYOUT		
				dr	WENDY CHEN 03/27/02	unit	product family : PCMCIA		code
				enrg	MNERVA WANG 03/27/02	mm/inch	size		TWN
				chr	YUWEN CHU 03/27/02	scale	A3		sheet
				appd	JENN TSAO 03/27/02		10003526		5 of
sheet	revision								
index	sheet								

PDM: Rev:F STATUS: Released Printed: Oct 12, 2010



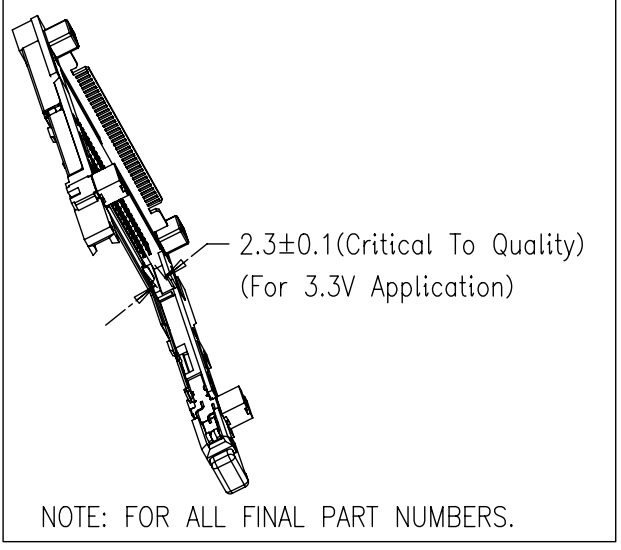
FOR 10003526-0XX(M)CALF/1XX(M)CALF P.C.B LAYOUT
BOARD VIEW FROM CONNECTOR MOUNTED SIDE



FOR 10003526-5XX(M)CALF/6XX(M)CALF P.C.B LAYOUT
BOARD VIEW FROM CONNECTOR MOUNTED SIDE

ORDERING INFORMATION		
NAME	PART NO.	Q'TY
(A) EJECT HEADER ASS'Y	10003526-XXXXX	1
(B) MATING RECEPTACLE	91931-31169	1

NAME	PART NO.	Q'TY
(A) EJECT HEADER ASS'Y	10003526-XXXXXLF	1
(B) MATING RECEPTACLE	91931-31169LF	1



mat'l code	tolerance unless otherwise specified	CUSTOMER COPY	FCJ www.fciconnect.com	
rev. ecn no. dr date	linear ±0.1	projection	title P.C.B LAYOUT	
	angles	unit	product family : PCMCIA	code
	dr WENDY CHEN 03/27/02	mm/inch	size	TWN
	enrg MINERVA WANG 03/27/02	scale	dwg no. 10003526	sheet 6 of 6
	chr YUMEN CHU 03/27/02			
	appd JENN TSAO 03/27/02			
sheet index	revision sheet			

PDM: Rev:F STATUS Released Printed: Oct 12, 2010

All rights are reserved. Reproduction or translation in any form without the written authority of BERG ELECTRONICS is prohibited. BERG ELECTRONICS is not responsible for any damage or loss of data caused by the use of this product.

