

INFOPORT Series III Dual Port Headers, Shielded, 0 offset

15 Positions



Keying Option	Part Numbers ¹ Tape and Reel Packaged
1	5-569331-1
2	5-569331-2
3	5-569331-3
4	5-569331-4
5	5-569331-5

¹Distance from connector centerline to bottom surface of solder tails is 0.

Material and Finish:

Housing — Glass-filled nylon molding compound, black, 94V-C rated

Contacts — Phosphor bronze, duplex plated 0.00025 [0.00010] minimum gold over 0.00102 [0.00040] minimum palladium/nickel over 0.00005 [0.00002] minimum gold in contact area, 0.00381 [0.00150] minimum tin-lead or solder times, with entire contact underplated 0.00127 [0.00050] minimum nickel

Shield — Stainless steel, tin-lead plated

Striker Plate — Stainless steel

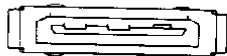
Related Product Data:

Frame Kits — pages 60 & 62

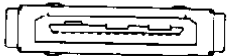
Mating Cable Connectors — page 67

Technical Documents (Page 80):

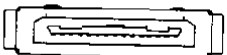
AMP Application Specification
114-6058



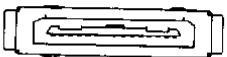
Keying Option 1



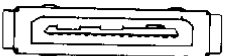
Keying Option 2



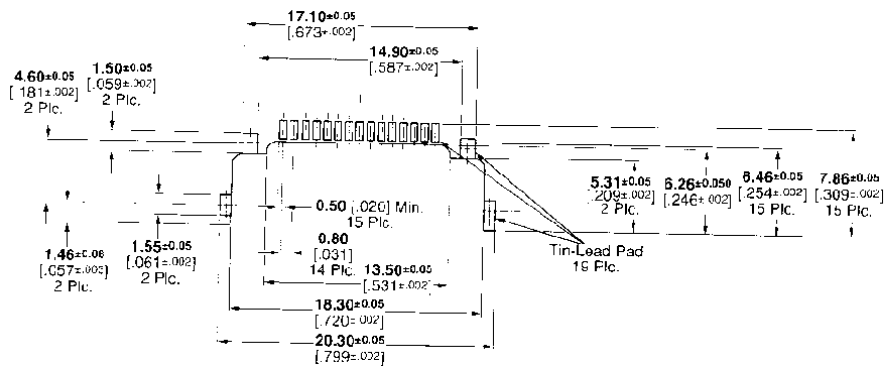
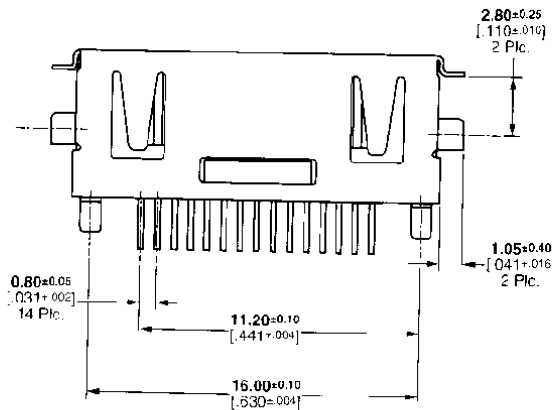
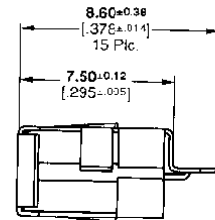
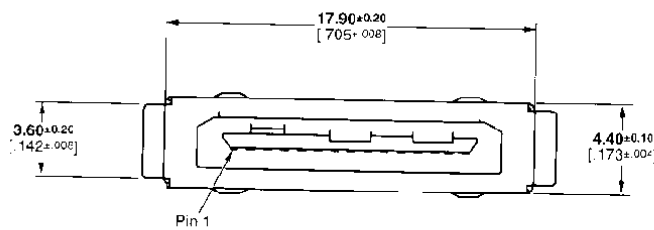
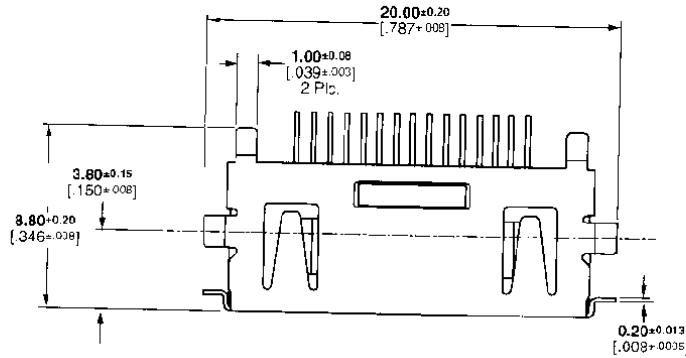
Keying Option 3



Keying Option 4



Keying Option 5



Recommended PC Board Layout