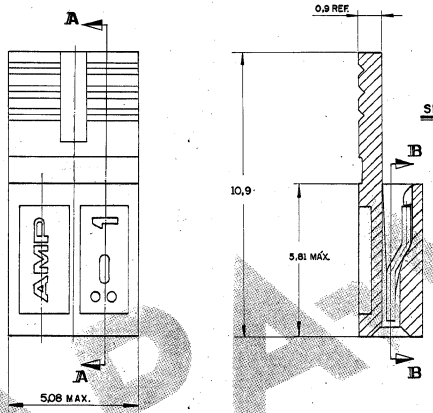


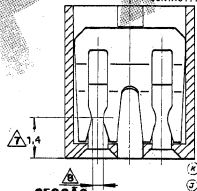
C881545

DO NOT SCALE
DIMENSIONS IN mm. METRIC 3rd ANGLE PROJECTION

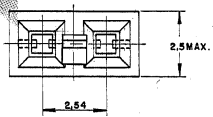
ATENÇÃO
Este desenho esta sob o controle das especificações nos. 102-23 e 102-55. Toda e qualquer alteração, antes de ser processada, deverá ser comunicada aos clientes envolvidos, através dos procedimentos atuais.
Ver pasta "Notificação ao Cliente"



SECCÃO A-A



SECCÃO B-B



- ⚠ SIMILAR DO P/N 881545-2, PORÉM EM EMBALAGENS C/ 2.000 PEÇAS/SACO PLÁSTICO.
SIMILAR OF P/Nº 881545-2 BUT IN PACKAGES W/ 2.000 PARTS/ PLASTIC BAG.
- ⚠ MATERIAL HOUSING: TERMOPLÁSTICO COM 15% FIBRA DE VIDRO, V2, COR AMARELO (RAL 1016)
CONTACTO: BRONZE FOSFOROSO
MATERIAL: HOUSING: THERMOPLASTIC 15% GLASS FIBER V2, COLOR YELLOW (RAL 1016)
CONTACT: PHOSPHOROUS BRONZE
- ⚠ MATERIAL HOUSING TERMOPLÁSTICO COM 15% FIBRA DE VIDRO, V2, COR VERDE (AMP A6484)
CONTACTO: BRONZE FOSFOROSO
MATERIAL: HOUSING THERMOPLASTIC 15% GLASS FIBER V2, COLOR GREEN (AMP A6484)
CONTACT: PHOSPHOROUS BRONZE

- MATERIAL: HOUSING: TERMOPLÁSTICO C/ FIBRA DE VIDRO V-D COR: PRETO
CONTACTO: BRONZE FOSFOROSO
- MATERIAL: HOUSING: THERMOPLASTIC WITH GLASS FIBER V-D COLOR:BLACK
CONTACT: PHOSPHOROUS BRONZE
- MATERIAL: HOUSING: TERMOPLÁSTICO C/ FIBRA DE VIDRO HB COR:NATURAL
CONTACTO: BRONZE FOSFOROSO
- MATERIAL: HOUSING: THERMOPLASTIC WITH GLASS FIBER HB COLOR:NATURAL
CONTACT: PHOSPHOROUS BRONZE
- 0,38 µm. MIN. OURO NA ÁREA DE CONTATO, SOBRE BANHO 0,76 µm NIQUEL
0,38 µm. MIN. GOLD ON CONTACT AREA, 0,76 µm NICKEL UNDERPLATING
- 0,76 µm. MIN. OURO NA ÁREA DE CONTATO, SOBRE BANHO 0,76 µm NIQUEL
0,76 µm. MIN. GOLD ON CONTACT AREA, 0,76 µm NICKEL UNDERPLATING
- 1,27 µm. MIN. OURO NA ÁREA DE CONTATO, SOBRE BANHO 0,76 µm NIQUEL
1,27 µm. MIN. GOLD ON CONTACT AREA, 0,76 µm NICKEL UNDERPLATING
- ESTRANHO: SEME NIQUEL
FIN OVER NICKEL
- PUNTO DE CONTATO Y/ MEDICIÓN DE CAPADA DE OURO
CONTACT POINT FOR GOLD PLATING MEASUREMENT
- ACEITA ESHO QUANDO 0,64 x 0,64 DO REDONDO Ø 0,64
ALLOW SQUARE PIN 2,64 x 0,64 ON ROUND Ø 0,64
- MATERIAL: HOUSING: TERMOPLÁSTICO C/ 15% DE FIBRA DE VIDRO, V2, COR VERMELHO (PADRÃO DE COR: RAL 3000)
CONTACTO: BRONZE FOSFOROSO
MATERIAL: HOUSING THERMOPLASTIC WITH 15% GLASS FIBER V2, COLOR RED (STAND COLOR: RAL 3000)
CONTACT: PHOSPHOROUS BRONZE

4-	-2
4-	-1
3-	-1
2-	-4
2-	-3
2-	-2
2- 881545	-1
	-9
	-8
	-7
	-6
	-5
	-4
	-3
	-2
	-1
	0
	1
	2
	3
	4
	5
	6
	7
	8
	9

CUSTOMER DWG
for REFERENCE ONLY

OTHER TREATMENT FINISH MATERIAL PART NUMBER

881545-1

AMP do BRASIL LTDA.
São Paulo, Brasil

DESCRIPTION: AMP SHUNT
LOW PROFILE CONNECTOR ASSY

DWG NO: A2
C 881545

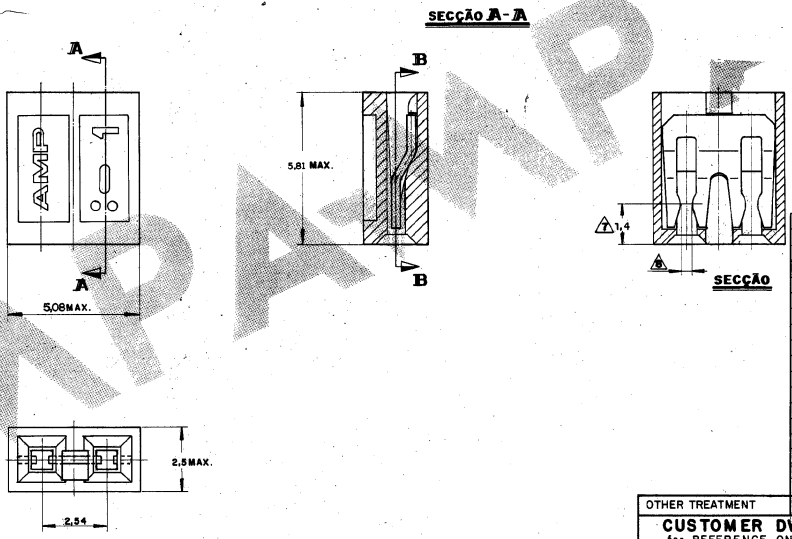
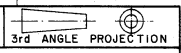
1 of 2

REV	REVISION RECORD	DR	CHK	DATE	REV	REVISION RECORD	DR	CHK	DATE

C 881545

DO NOT SCALE
DIMENSIONS IN mm.

METRIC



△		2-	- 8
△		2-	- 7
△		2-	- 6
△		2-	881545 - 5
△			
△		1-	- 8
△		1-	- 7
△		1-	- 6
△		1-	- 5
△		1-	- 4
△		1-	- 3
△		1-	- 2
△		1-	881545 - 1

OTHER TREATMENT	FINISH	MATERIAL	PART NUMBER
CUSTOMER DWG for REFERENCE ONLY			
THIS DRAWING IS UNPUBLISHED. RELEASED FOR PUBLICATION BY AMP OF BRASIL, LTD. ALL INTERNATIONAL RIGHTS RESERVED. AMP PRODUCTS ARE COVERED BY U.S. PATENTS AND PATENTS IN OTHER COUNTRIES.			
TOLERANCES UNLESS OTHERWISE STATED			
DEC. DIMS. ANGLES ± 1°			
DR. 14 03 88			
CHK. 020			
APP. 08-08-88			
DES. 20/11/88			
REV. REVISION RECORD DR. CHK. DATE			
AMP do BRASIL LTDA. São Paulo, Brasil		DESCRIPTION AMP SHUNT	
LOW PROFILE CONNECTOR ASSY		A2	
C 881545		SHEET 2 OF 2	