

10/100BASE-T LAN MAGNETICS

Extended Temp Quad Xfmr Module for Auto MDIX

LM02416

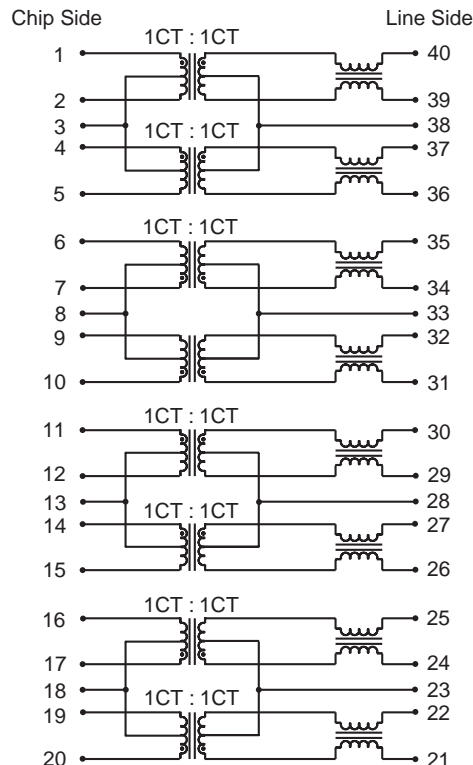
- Designed for use in symmetrical Auto MDIX TX and RX channels
- Quad, four-port design optimizes board layout for single row and dual stack RJ-45 connectors
- Tested for use with multiple 10/100 Mbps and 100 Mbps PHY transceivers requiring 1CT : 1CT TX and RX transformers
- Meets all IEEE 802.3 standards including 350μH with 8mA DC bias
- Low profile, surface mount packaging rated to 225° C peak IR reflow temperature
- Operating temperature -40° to +85° C
- Minimum interwinding breakdown voltage of 1500 Vrms

ELECTRICAL SPECIFICATIONS AT 25° C

Part Number	Insertion Loss dB max	Return Loss dB min				Common to Differential Mode Rejection dB min		Crosstalk dB min			
		100kHz to 100MHz	100kHz to 30MHz	30MHz to 60MHz	60MHz to 80MHz	100kHz to 100MHz		1MHz	30MHz	60MHz	100MHz
S558-5999-AA	-1.0	-18	18 - 20log (f/30MHz)	-12	-40	-30	-65	-55	-45	-35	

SCHEMATIC

S558-5999-AA

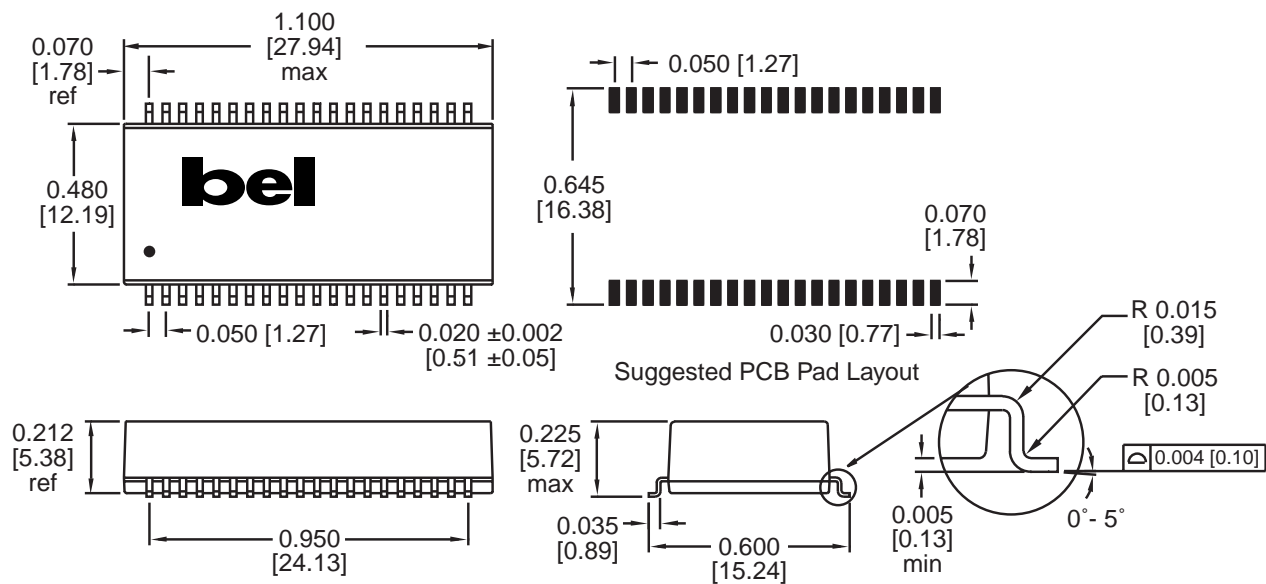


©2002 Bel Fuse Inc. Specifications subject to change without notice. 02.02

10/100BASE-T LAN MAGNETICS Extended Temp Quad Xfmr Module for Auto MDIX

MECHANICAL

S558-5999-AA



Dimensions are in inches [millimeters].

Standard dimension tolerance is ±0.005 [0.13] unless otherwise noted.

CORPORATE

Bel Fuse Inc.
206 Van Vorst Street
Jersey City, NJ 07302
Tel 201-432-0463
Fax 201-432-9542
www.belfuse.com

FAR EAST

Bel Fuse Ltd.
8F / 8 Luk Hop Street
San Po Kong
Kowloon, Hong Kong
Tel 852-2328-5515
Fax 852-2352-3706
www.belfuse.com

EUROPE

Bel Fuse Europe Ltd.
Preston Technology Management Centre
Marsh Lane, Suite G7, Preston
Lancashire, PR1 8UD, U.K.
Tel 44-1772-556601
Fax 44-1772-888366
www.belfuse.com