

Features

- Through-hole unit
- Isolation voltage of 20000 Vrms
- Low interwinding capacity
- RoHS compliant*

Applications

- Telecom

PT66011AL - ISDN S-Interface Transformer Module

Electrical Specifications @ 25 °C

Turns Ratio $\pm 1\%$ (III+IV:I+II) see schematic
 Impedance at 20 kHz 100 mV with IDC=3.6 mA (core 1,2) ohm min 625
 OCL at 10 kHz 100 mV(mH min)
 Transformer I+II (core 1,2) 22
 Choke V,VI,VII, VIII +50/-30 % 5
 Interwinding Capacity (10 kHz 100 mV)
 Cww (pF max) (core 1,2) 150
 Leakage Inductance (10 kHz 100 mV)
 Ls (μ H)
 Ls I+II (III+IV shorted) core 1,2 <0.6
 Ls V(IV,VI,VII shorted) core 3 < 0.6
 HIPOT 50 Hz for 2 sec. (Vrms)
 I/II (core 1+2) to III/IV (core 1+2) .. 2000
 V/VI (core 3) to III/IV (core 1) to VII+VIII (core 3) + III/IV (core 2) 500
 DCR III=IV (ohm Max) 2.65
 DCR I+II (ohm max) 1.4
 DCR V,VI,VII, VIII (ohm max) 1.1
 Operating Temperature (°C) 0 to +70

Other OCL specifications available on request.

Packaging Specifications

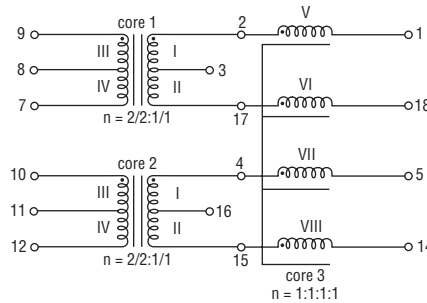
Tubes 15 pcs./tube

How To Order

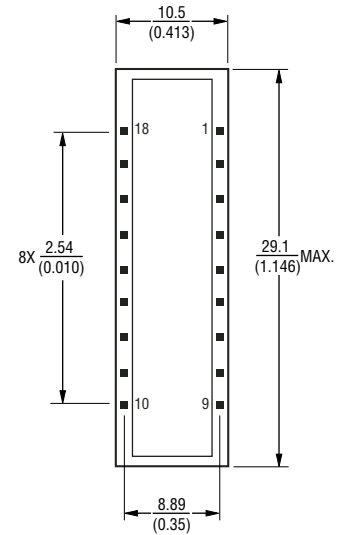
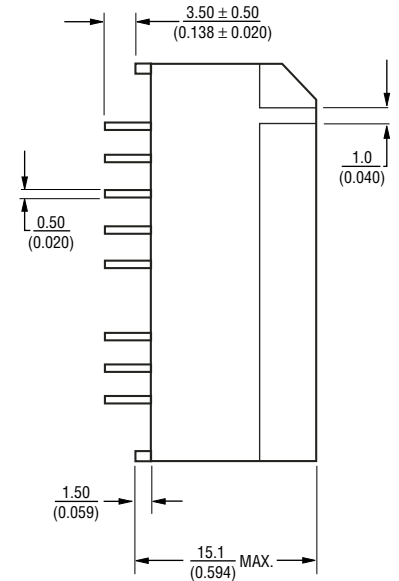
PT66011A L

Model _____
 Termination _____
 L = Tin only (lead free)

Electrical Schematic



Product Dimensions



BOTTOM VIEW

DIMENSIONS: $\frac{\text{MM}}{(\text{INCHES})}$

TOLERANCES: $\pm \frac{0.2}{(.008)}$

REV. 09/08

*RoHS Directive 2002/95/EC Jan 27 2003 including Annex.
 Specifications are subject to change without notice.
 Customers should verify actual device performance in their specific applications