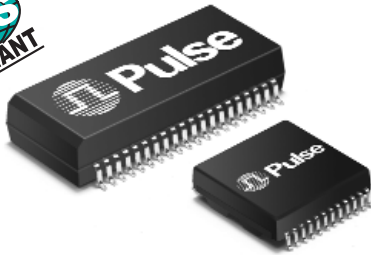






10/100BASE-TX DUAL PORT TRANSFORMER MODULES

For Use with Transceivers Requiring 1:1 Transmit and Receive Turns Ratios



-  RoHS-5 peak reflow temperature rating 235°C
-  RoHS-6 peak reflow temperature rating 245°C
-  Meets IEEE 802.3 specification
-  Some models offer AutoMDIX capability

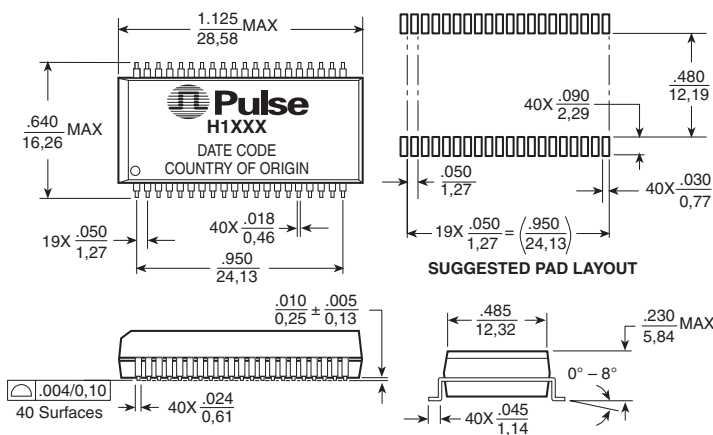
Electrical Specifications @ 25°C — Operating Temperature 0°C to 70°C

RoHS-6 ⁵ Compliant Part Number	RoHS-5 ⁴ Compliant Part Number	Insertion Loss (dB TYP)	Return Loss (dB MIN)					Crosstalk (dB TYP)				Differential to Common Mode Rejection (dB TYP)	
			0.1-100MHz	2-30MHz	40MHz	50MHz	60-80MHz	1MHz	30MHz	60MHz	100MHz	1-60MHz	60-200MHz
H1026NL	H1026	-0.5	-21	-17	-14.5	-12	-65	-55	-45	-35	-40	-30	
H1027NL ^{6d}	H1027	-0.5	-21	-17	-14.5	-12	-65	-55	-45	-35	-53	-40	
H1028NL ^{6d}	H1028	-0.5	-21	-17	-14.5	-12	-65	-55	-45	-35	-45	-35	
H1049 NL ^{6d}	—	-0.5	-21	-17	-14.5	-12	-65	-55	-45	-35	-45	-35	
H1114 NL ^{6d}	H1114	-1.2	-16	-14	-13	-12	-50	-45	-40	-35	-37	-33	
H1200NL ^{6d}	—	-1.0	-16	-14.4	-13	-12	-50	-45	-40	-35	-37	-33	
H1174 NL ^{6a}	H1174	-1.2	-18	-16	-14	-12	-60	-45	-40	-35	-45	-35	
H1270NL ^{2, 6a}	H1270 ^{2, 6a}	-1.2	-18	-16	-14	-12	-60	-45	-40	-35	-45	-35	
HX1294NL ^{2, 3, 6a}	HX1294 ^{2, 3, 6c}	-1.2	-16	-14	-13.5	-10	-55	-45	-40	-35	-30	-20	

- All models** meet input/output breakdown (Hipot) of 1500 Vrms.
- Suitable** for AutoMDIX applications.
- Operating Temperature** -40°C to +85°C.
- RoHS-5:** Product does not contain 5 out of the 6 banned substances specified in the RoHS directive (product contains lead in applications considered solder).
- RoHS-6:** Product does not contain 5 out of the 6 banned substances specified in the RoHS directive. Some internal connections may contain lead in high-temperature solder (solder alloys containing more than 85% lead).
- MSL** = Moisture Sensitivity Level **a=1 b=2 c=3 d=4**.

Mechanicals

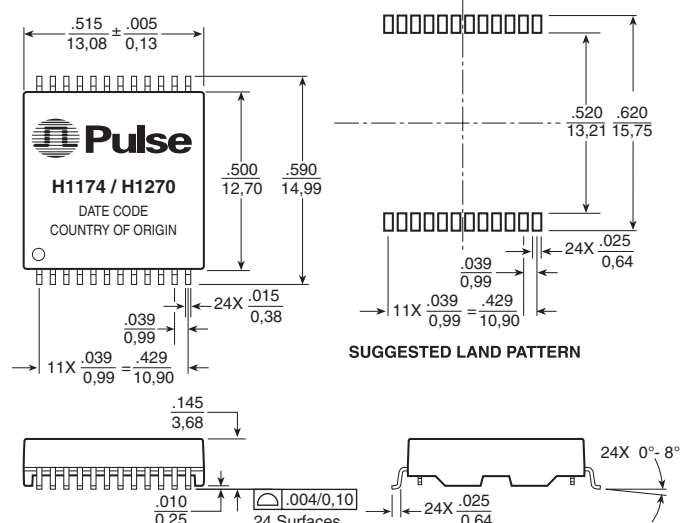
H1XXX



Dimensions: $\frac{\text{Inches}}{\text{mm}}$

Unless otherwise specified, all tolerances are $\pm \frac{.010}{0.25}$

H1174/H1270



USA 858 674 8100 • Germany 49 7032 7806 0 • Singapore 65 6287 8998 • Shanghai 86 21 32181071 • China 86 755 33966678 • Taiwan 886 3 4643715

10/100BASE-TX DUAL PORT TRANSFORMER MODULES

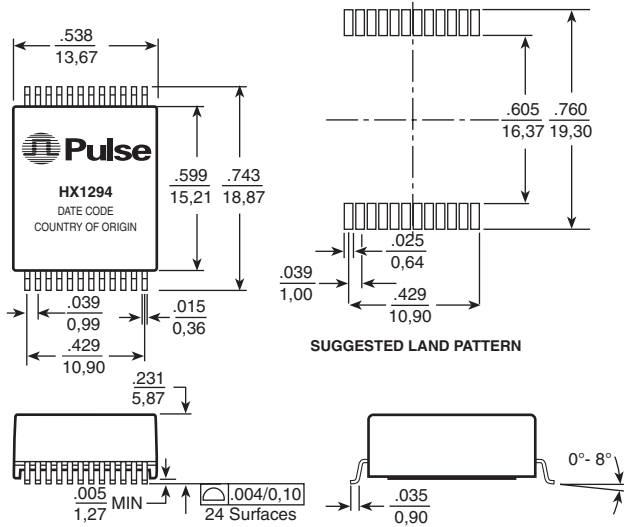
For Use with Transceivers Requiring 1:1 Transmit and Receive Turns Ratios



Mechanicals (continued)

Schematics

HX1294



Dimensions: $\frac{\text{Inches}}{\text{mm}}$

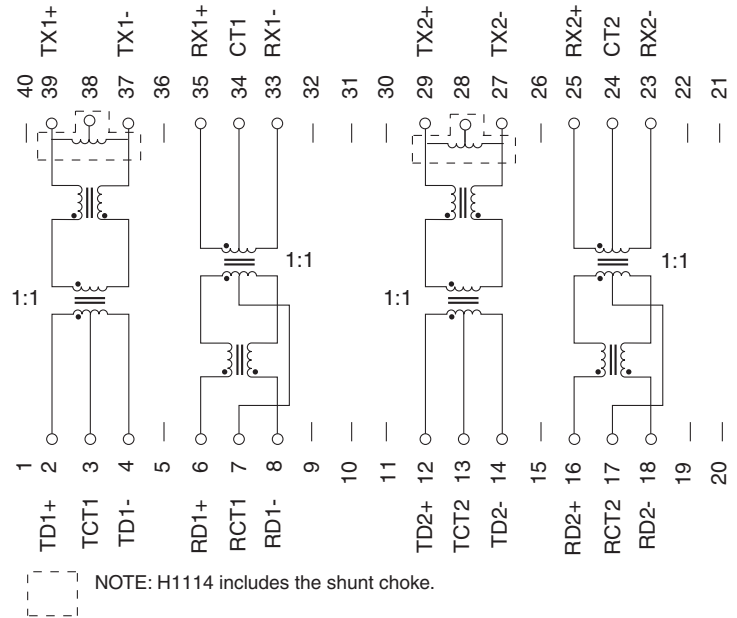
Unless otherwise specified,
all tolerances are $\pm \frac{.010}{0,25}$

Weight1.6 grams

Tape & Reel300/reel

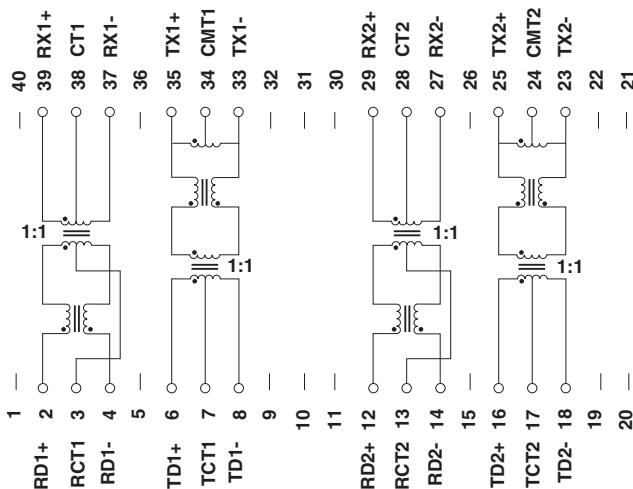
Tube35/tube

H1026, H1114

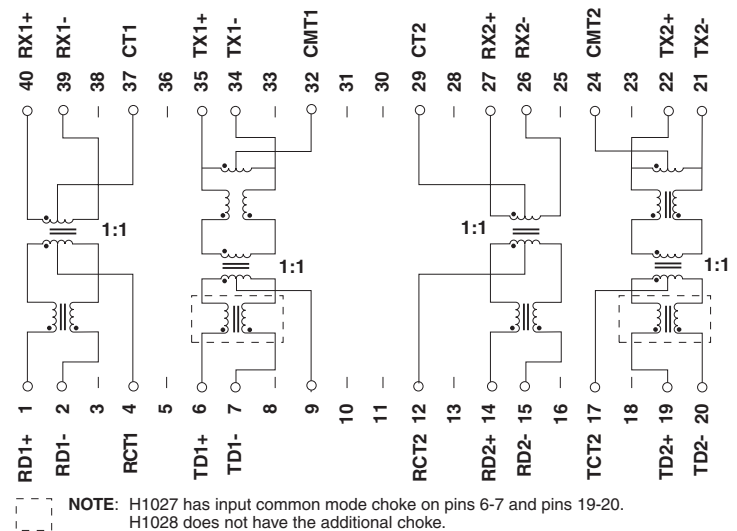


Schematics (continued)

H1049



H1027, H1028



Dual Port Solutions: The H1027, H1028, H1049, and H1026 are designed to support two RJ-45 connectors. The H1027 and the H1028 have the same pinout. The H1027 has an additional common mode choke on both transmit channels. The H1049 and the H1026 offer different pinouts for design flexibility.

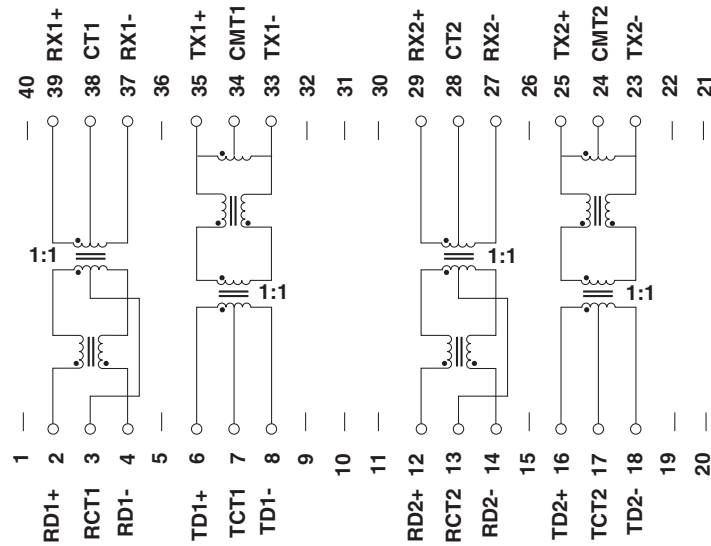
10/100BASE-TX DUAL PORT TRANSFORMER MODULES

For Use with Transceivers Requiring 1:1 Transmit and Receive Turns Ratios

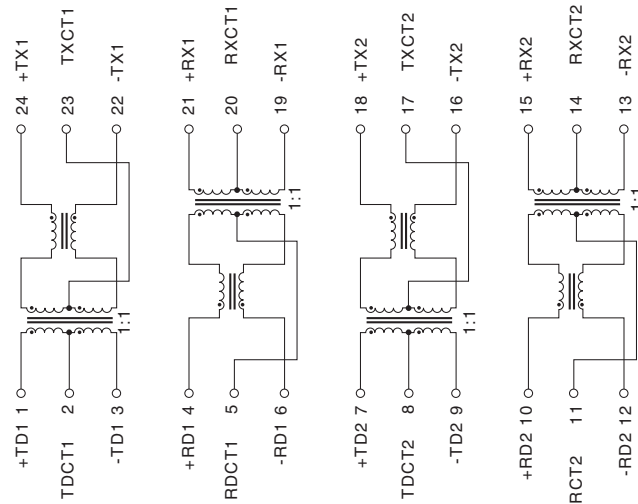


Schematics (continued)

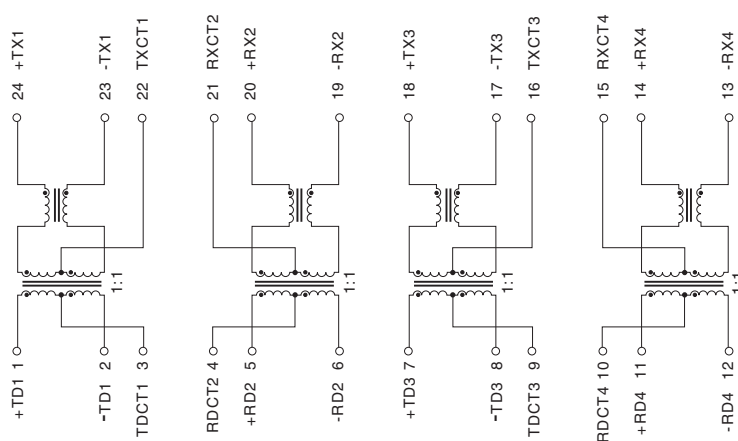
H1200



H1174



H1270, HX1294



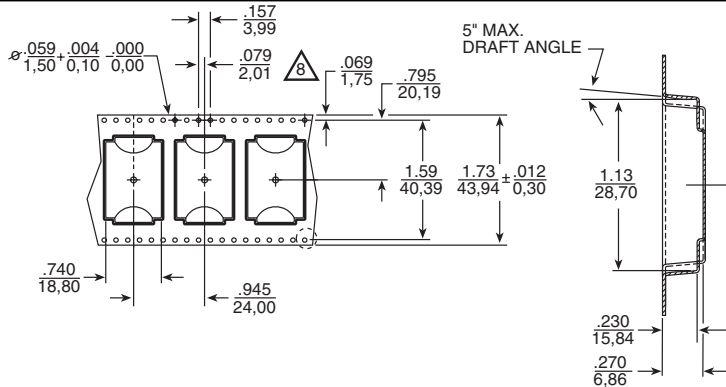
10/100BASE-TX DUAL PORT TRANSFORMER MODULES

For Use with Transceivers Requiring 1:1 Transmit and Receive Turns Ratios



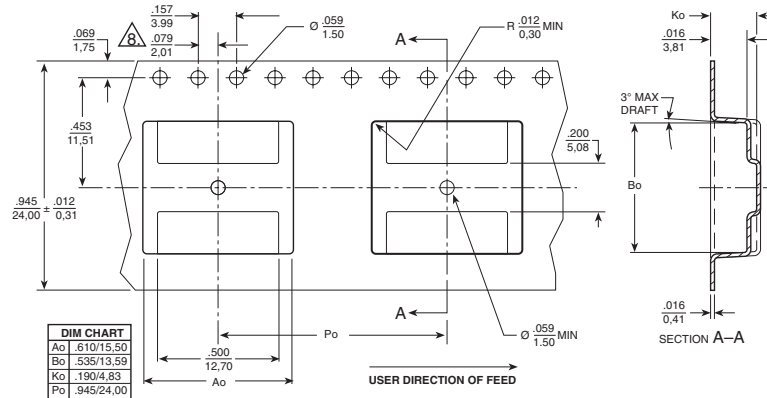
Tape & Reel Specifications

H1XXX



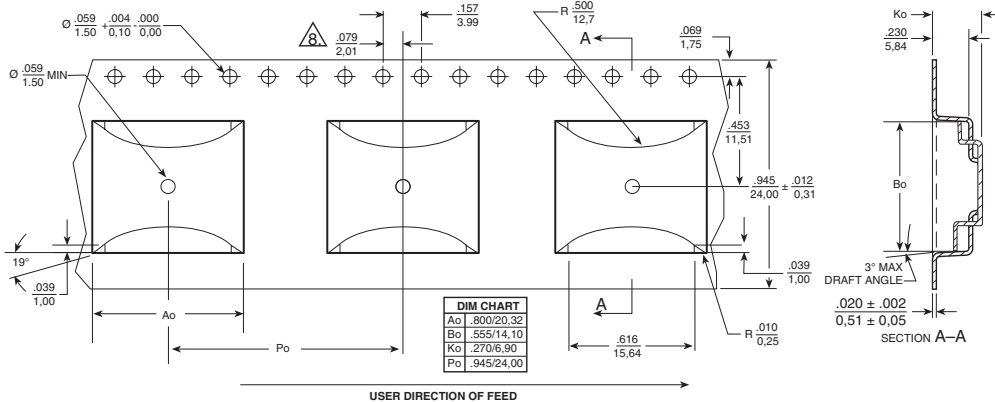
Weight 4.0 grams TYP
 Tube15/tube
 Tape & Reel250/reel

H1174/H1270



Weight 1.5 grams TYP
 Tube35/tube
 Tape & Reel500/reel

HX1294



For More Information:

Pulse Worldwide Headquarters
 12220 World Trade Dr.
 San Diego, CA 92128
 U.S.A.

Pulse Europe
 Einsteinstrasse 1
 D-71083 Herrenberg
 Germany

Pulse China Headquarters
 B402, Shenzhen Academy of
 Aerospace Technology Bldg.
 10th Kejinan Rd.
 High-Tech Zone
 Nanshan District
 Shenzhen, PR China 518057

Pulse North China
 Room 1503
 XinYin Building
 No. 888 YiShan Rd.
 Shanghai 200233
 China

Pulse South Asia
 150 Kampong Ampat
 #07-01/02
 KA Centre
 Singapore 368324

Pulse North Asia
 No. 26, Kao Ching Rd.
 Yang Mei Chen
 Taoyuan Hsien
 Taiwan
 R. O. C.

www.pulseeng.com

Tel: 858 674 8100
 Fax: 858 674 8262

Tel: 49 7032 7806 0
 Fax: 49 7032 7806 135

TEL: 86 755 33966678
 FAX: 86 755 33966700

Tel: 86 21 54643211/2
 Fax: 86 21 54643210

Tel: 65 6287 8998
 Fax: 65 6280 0080

Tel: 886 3 4643715
 Fax: 886 3 4641911

Performance warranty of products offered on this data sheet is limited to the parameters specified. Data is subject to change without notice. Other brand and product names mentioned herein may be trademarks or registered trademarks of their respective owners.

© Copyright, 2008. Pulse Engineering, Inc. All rights reserved.

www.pulseeng.com