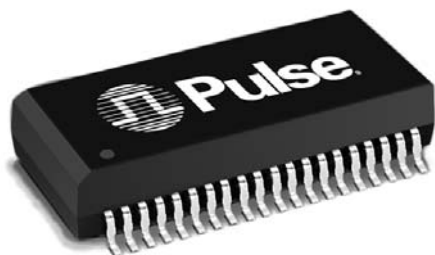


# 10/100BASE-TX QUAD-PORT TRANSFORMER MODULES

## Military / Aerospace Grade



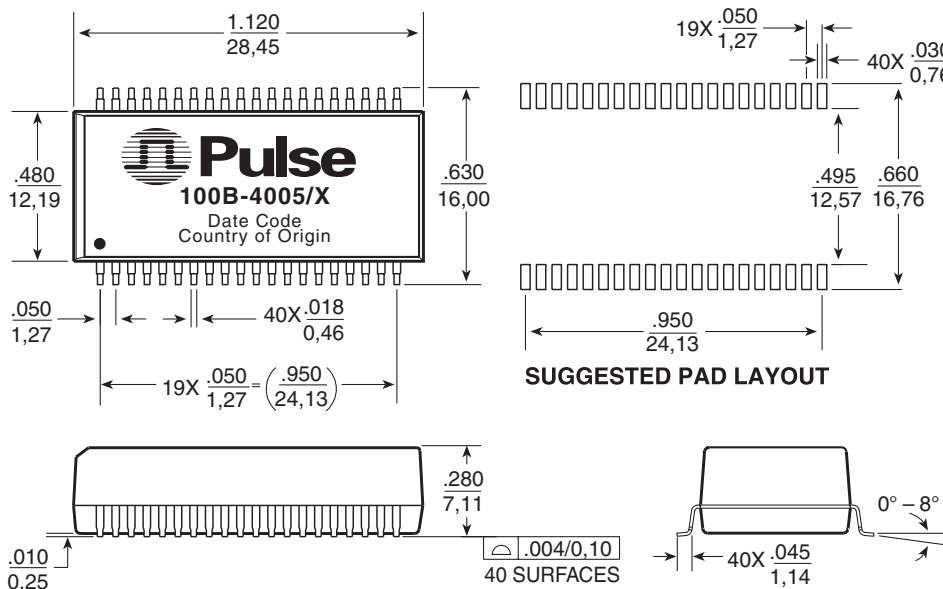
- Compliant with IEEE 802.3u and ANSI X3.263 standards
- 350μH OCL with 8mA bias
- Operating and storage temperature:  
**100B-4005:** -40°C to +85°C  
**100B-4005X:** -55°C to +125°C
- IC grade transfer-molded package withstands 235°C peak temperature profile

### Electrical Specifications @ 25°C

Part Number	Insertion Loss (dB MIN)	Return Loss (dB MAX)					Crosstalk (dB MAX)				DM to CM Rejection Ratio (dB MAX)		
		0.1-100 MHz	2-30 MHz	50 MHz	60 MHz	80 MHz	16 MHz	30 MHz	60 MHz	80 MHz	0.1-30 MHz	30-60 MHz	60-100 MHz
100B-4005	-1.00	-18	-14	-12	-12	-54	-50	-46	-44	TX: -49 RX: -52	TX: -44 RX: -49	TX: -40 RX: -42	
100B-4005X	-1.20	-18	-14	-12	-10	-48	-42	-38	-33	TX: -45 RX: -45	TX: -40 RX: -40	TX: -38 RX: -35	

## Mechanical

### 100B-4005/X



**Weight** ..... 4.0 grams TYP  
**Tape and Reel** ..... .250/reel  
**Tray** ..... .15/tray

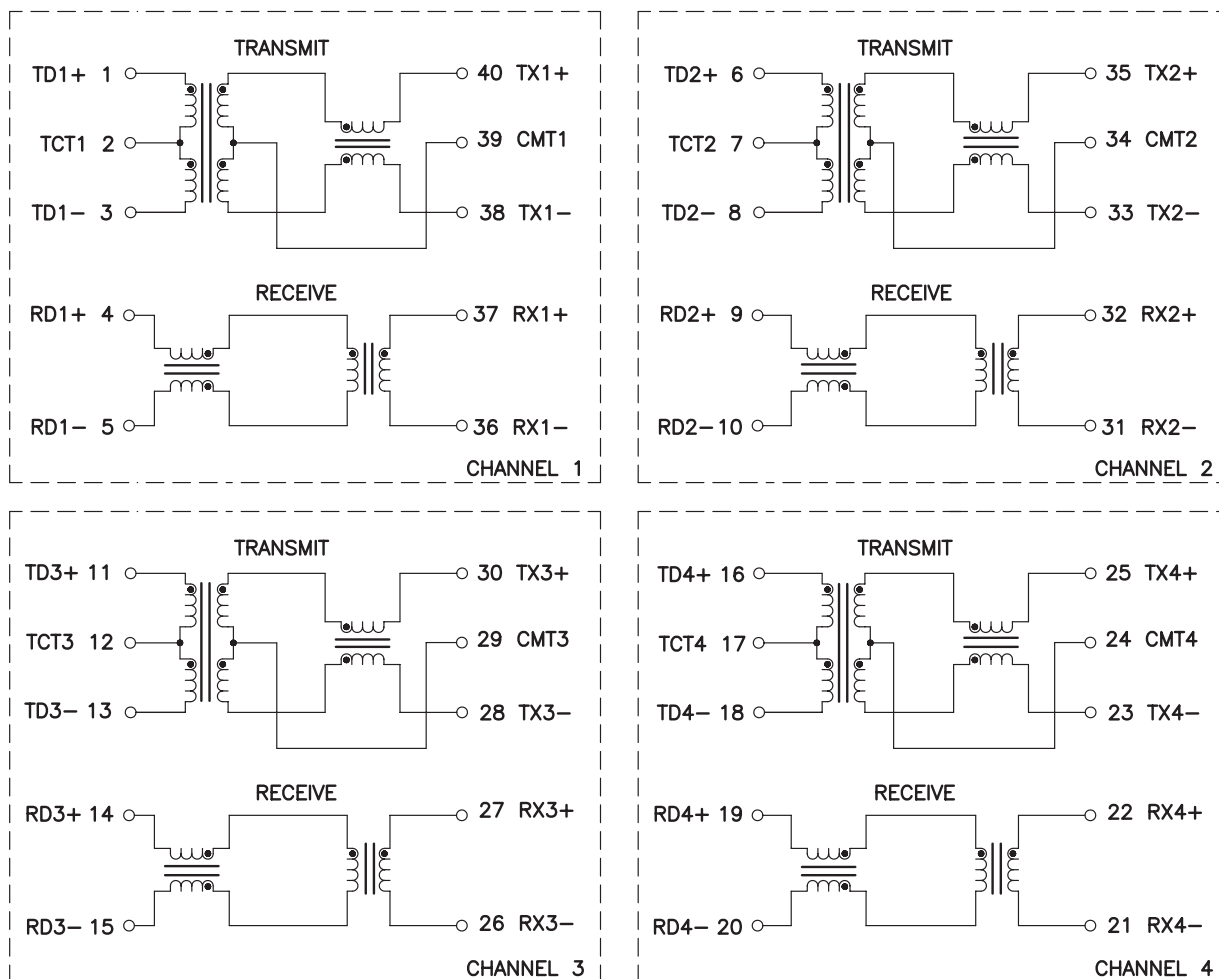
**Dimensions:**  $\frac{\text{Inches}}{\text{mm}}$   
 Unless otherwise specified, all tolerances are  $\pm \frac{.010}{0,25}$

# 10/100BASE-TX QUAD-PORT TRANSFORMER MODULES

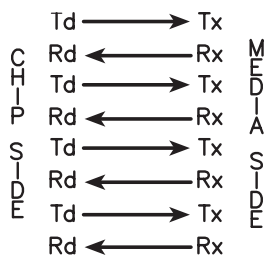
## Military / Aerospace Grade



### Schematics



#### LEGEND



ALL CHANNELS IN PHASE INPUT TO OUTPUT

#### For More Information :

##### UNITED STATES (Worldwide)

12220 World Trade Drive  
San Diego, CA 92128  
U.S.A.  
<http://www.pulseeng.com>  
TEL: 858 674 8100  
FAX: 858 674 8262

##### UNITED KINGDOM (Northern Europe)

1 & 2 Huxley Road  
The Surrey Research Park  
Guildford, Surrey GU2 5RE  
United Kingdom  
TEL: 44 1483 401700  
FAX: 44 1483 401701

##### FRANCE (Southern Europe)

Zone Industrielle  
F-39270  
Orgelet  
France  
TEL: 33 3 84 35 04 04  
FAX: 33 3 84 25 46 41

##### SINGAPORE (Southern Asia)

150 Kampong Ampat  
#07-01/02  
KA Centre  
Singapore 368324  
TEL: 65 6287 8998  
FAX: 65 6280 0080

##### TAIWAN, R.O.C. (Northern Asia)

3F-4, No. 81, Sec. 1  
HsinTai Wu Road  
Hsi-Chih, Taipei Hsien  
Taiwan, R.O.C.  
Tel: 886 2 2698 0228  
FAX: 886 2 2698 0948

##### HONG KONG (China/Hong Kong)

9/F, Phase 2, Tai Sang  
Shatin Warehouse Centre  
6 Wong Chuk Yeung Street  
Fotan, Shatin, Hong Kong  
TEL: 852 2788 6588  
FAX: 852 2776 1055

##### DISTRIBUTOR

Performance warranty of products offered on this data sheet is limited to the parameters specified. Data is subject to change without notice. Other brand and product names mentioned herein may be trademarks or registered trademarks of their respective owners.

©2004, Pulse Engineering, Inc. All Rights Reserved.

**M102.A (6/04)**