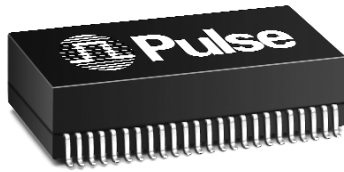


T1/CEPT/ISDN-PRI TRANSFORMER

Quad Port SMT Transformer Module

with Line Side Protection



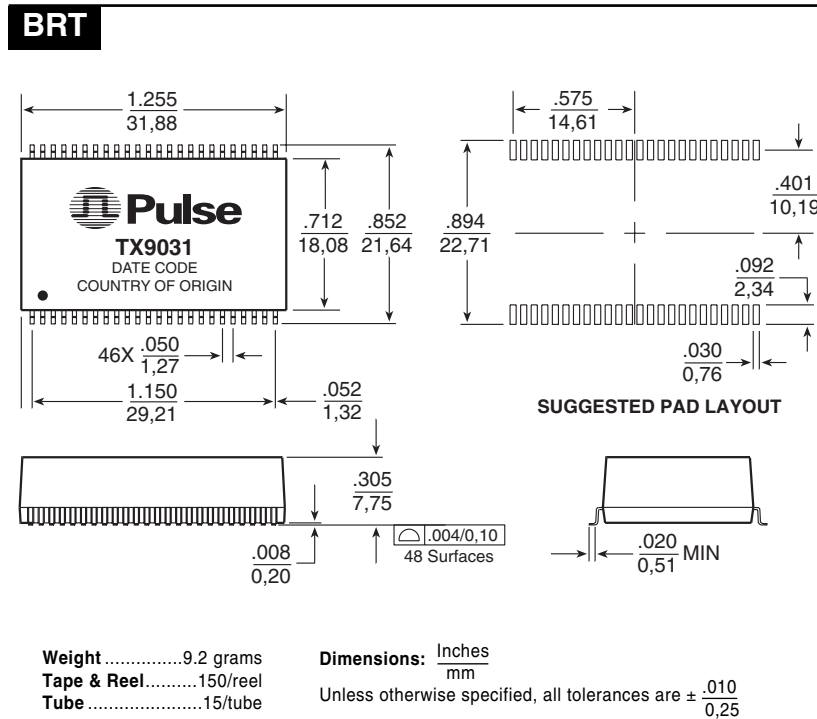
- Four transmit transformers, four receive transformers and line side protection circuit in a surface mount package
- Matched to Infineon's QUADFALC and QUADLIU transceivers
- Patented "Interlock Base" construction for high reliability
- IC grade transfer-molded package withstands 235°C IR reflow temperature
- Minimum Isolation voltage: 1500 Vrms
- UL recognized

Electrical Specifications @ 25°C — Operating Temperature -40°C to +85°C

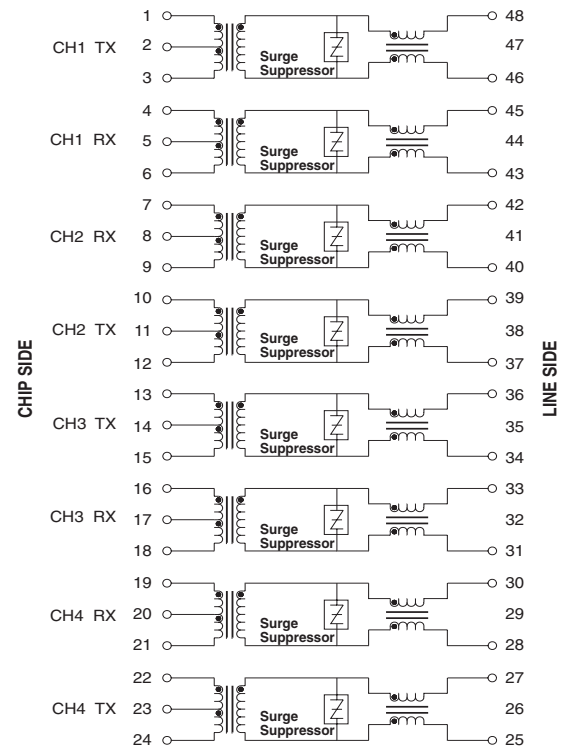
| Part Number | Turns Ratio (Pri:Sec ±2%) | | OCL Line Side (mH MIN) | Cw/w (pF MAX) | LL (μH MAX) | Package/ Schematic | Primary Pins | |
|-------------|---------------------------|---------|------------------------|---------------|-------------|--------------------|--------------------------|----------------------------|
| | Transmit | Receive | | | | | Transmit | Receive |
| TX9031 | 1CT:2.4 | 1:1CT | 1.2 | 35 & 35 | .50 & .80 | BRT | 1-3, 10-12, 13-15, 22-24 | 45-43, 42-40, 33-31, 30-28 |

NOTE: For extended temperature range transformers, OCL (Open Circuit Inductance for the primary winding) is specified at both -40°C and +25°C. At -40°C, OCL is 600 μH minimum. All other parameters are specified at +25°C.

Mechanical



Schematic



For More Information:

| Pulse Worldwide Headquarters | Pulse Northern Europe | Pulse Southern Europe | Pulse China Headquarters | Pulse North China | Pulse South Asia | Pulse North Asia |
|--|--|---|--|---|---|--|
| 12220 World Trade Drive San Diego, CA 92128 U.S.A. www.pulseeng.com TEL: 858 674 8100 FAX: 858 674 8262 | 3 Huxley Road Surrey Research Park Guildford, Surrey GU2 5RE United Kingdom TEL: 44 1483 401700 FAX: 44 1483 401701 | Zone Industrielle F-39270 Orgelet France TEL: 33 3 84 35 04 04 FAX: 33 3 84 25 46 41 | No. 1 Industrial District Changan, Dongguan China TEL: 86 769 85538070 FAX: 86 769 85538870 | Room 1503 XinYin Building No. 888 YiShan Road Shanghai 200233 China TEL: 86 21 54643211/2 FAX: 86 21 54643210 | 150 Kampong Ampat #07-01/02 KA Centre Singapore 368324 TEL: 65 6287 8998 FAX: 65 6280 0080 | No. 26 Kao Ching Road Yang Mei Chen Taoyuan Hsien Taiwan, R. O. C. TEL: 886 3 4641811 FAX: 886 3 4641911 |

Performance warranty of products offered on this data sheet is limited to the parameters specified. Data is subject to change without notice. Other brand and product names mentioned herein may be trademarks or registered trademarks of their respective owners.
 © Copyright, 2006. Pulse Engineering, Inc. All rights reserved.

www.pulseeng.com

T670.A (5/06)