

# GIGABIT ETHERNET MAGNETICS

## Single Port Transformer Modules

LM00300

- Designed for use with 10/100/1000Base-T transceiver ICs
- Supports four pairs of category 5 UTP cable
- Maximized for full duplex applications
- Compliant with IEEE 802.3ab
- IR reflow rating at 225° C peak
- 350µH OCL with 8mA bias applied from 0° C to 70° C

### ELECTRICAL SPECIFICATIONS AT 25° C

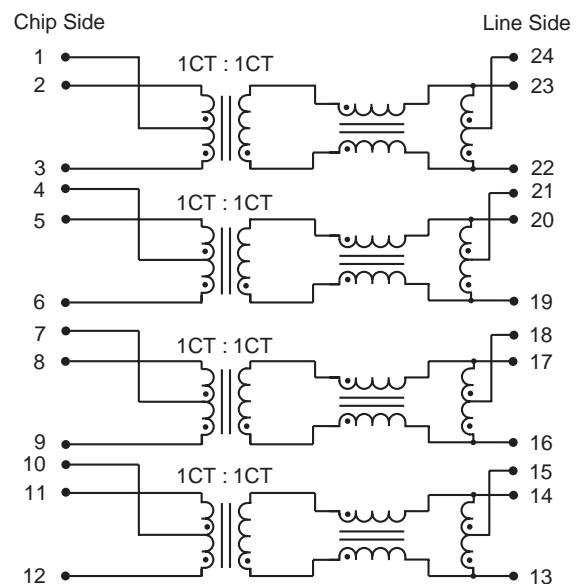
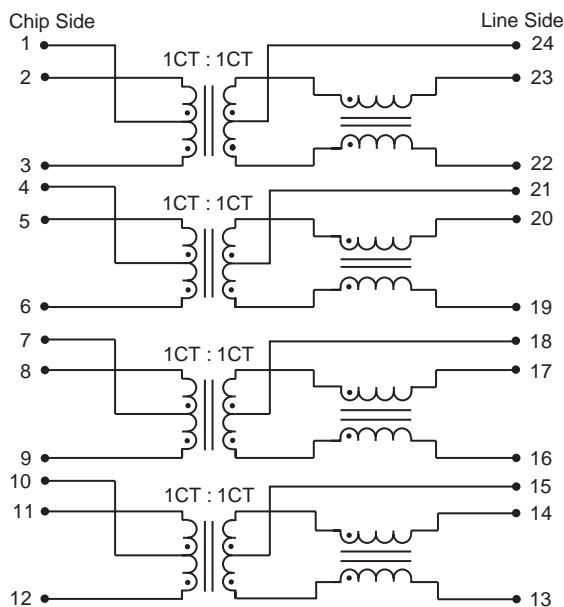
Part Number	Insertion Loss dB max	Return Loss dB min		Common to Common Mode Rejection dB min	Crosstalk dB min	Hipot Vrms min
	0.1MHz to 100MHz	0.5MHz to 40MHz	40MHz to 100MHz	100KHz to 100MHz		
S558-5999-M8	-1.0	-18	12 - 20 log (f/80 MHz)	-30	33 - 20 log (f/50MHz)	1500
S558-5999-M9	-1.0	-18	12 - 20 log (f/80 MHz)	-30	33 - 20 log (f/50MHz)	1500
S558-5999-P3	-1.0	-18	12 - 20 log (f/80 MHz)	-30	33 - 20 log (f/50MHz)	1500
S558-5999-T3	-1.0	-18	12 - 20 log (f/80 MHz)	-30	33 - 20 log (f/100MHz)	1500
S558-5999-T4	-1.0	-18	12 - 20 log (f/80 MHz)	-30	33 - 20 log (f/100MHz)	1500

To select part number based on transceiver IC compatibility, please contact Bel.

### SCHEMATICS

**S558-5999-M8 S558-5999-M9**  
**S558-5999-T4**

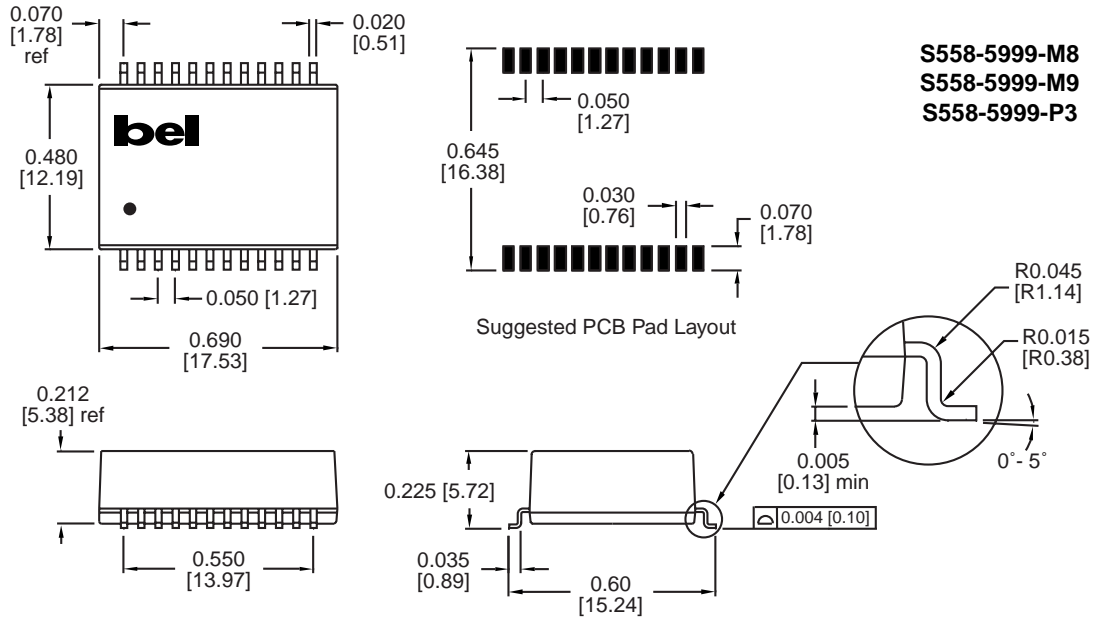
**S558-5999-P3**  
**S558-5999-T3**



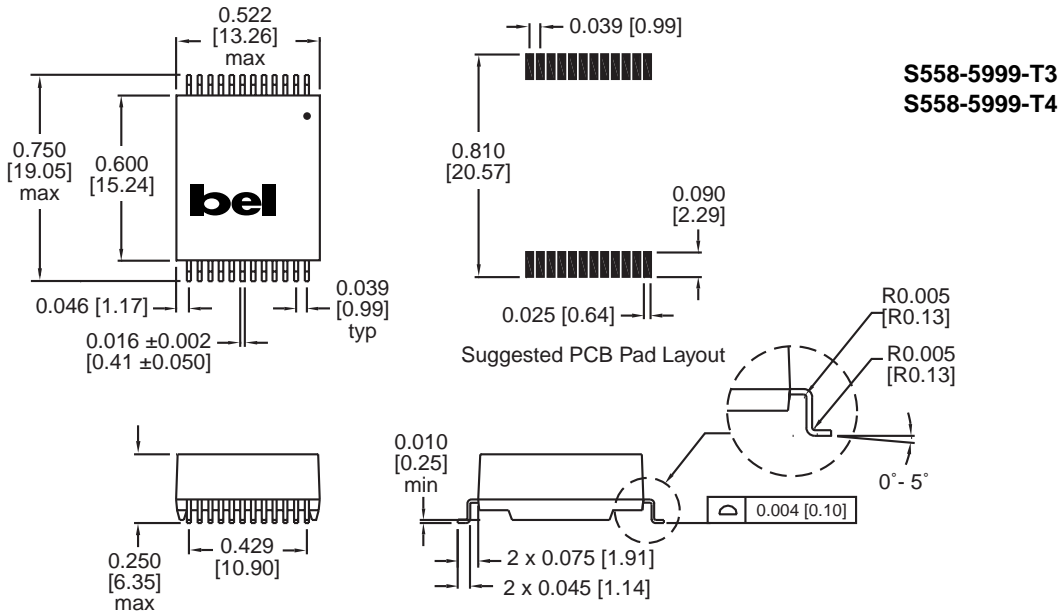
©2001 Bel Fuse Inc. Specifications subject to change without notice. 11.01

LM00300

### MECHANICALS



Dimensions are in inches [millimeters].  
Standard dimension tolerance is  $\pm 0.005$  [0.13] unless otherwise noted.



Dimensions are in inches [millimeters].  
Standard dimension tolerance is  $\pm 0.005$  [0.13] unless otherwise noted.

©2001 Bel Fuse Inc. Specifications subject to change without notice. 11.01

#### CORPORATE

**Bel Fuse Inc.**  
206 Van Vorst Street  
Jersey City, NJ 07302  
Tel 201-432-0463  
Fax 201-432-9542  
www.belfuse.com

L3-2

#### FAR EAST

**Bel Fuse Ltd.**  
8F / 8 Luk Hop Street  
San Po Kong  
Kowloon, Hong Kong  
Tel 852-2328-5515  
Fax 852-2352-3706  
www.belfuse.com

#### EUROPE

**Bel Fuse Europe Ltd.**  
Preston Technology Management Centre  
Marsh Lane, Suite G7, Preston  
Lancashire, PR1 8UD, U.K.  
Tel 44-1772-556601  
Fax 44-1772-888366  
www.belfuse.com