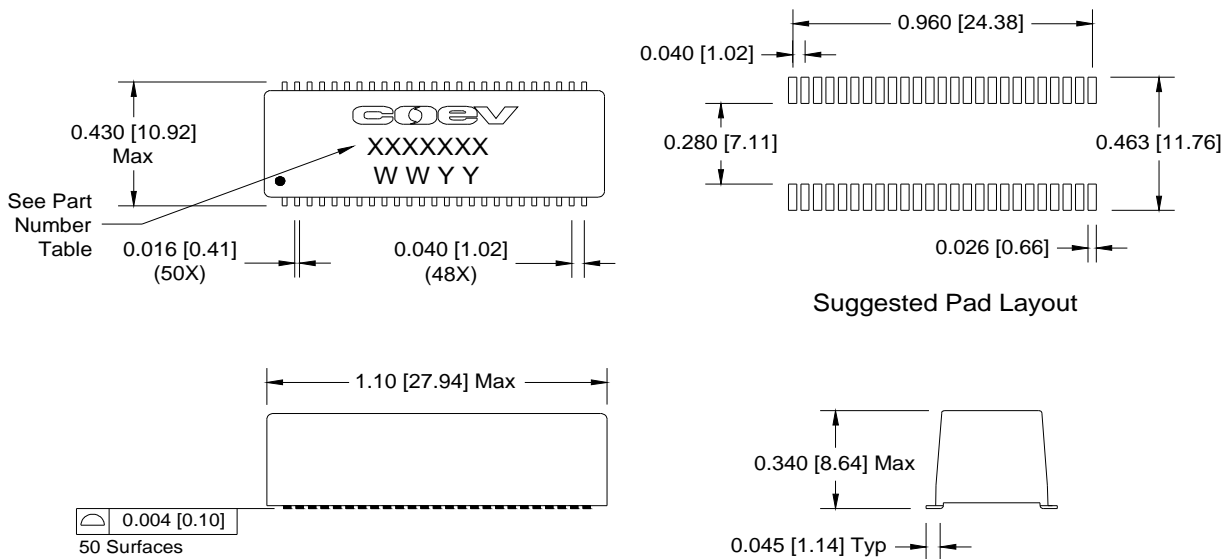


Product Description	10/100/1000BASE-T MAGNETICS DUAL PORT SURFACE MOUNT MODULE
----------------------------	---

Standard Features:

- Dual port interface for Gigabit applications.
- Unique package dimensions allow mounting directly behind stacked or ganged connectors for simplified trace routing and PCB layout.
- Compliant with IEEE 802.3 and ANSI X3.263 Standards
- Surface mount package designed for reflow process (240°C peak).
- Tape and Reel packaging standard.
- Package molded using UL94-V0 rated material.



All dimensions are in inches [millimeters].
All dimensions are ±0.005 [0.127] unless otherwise noted.

1000BASE-T Electrical Characteristics @ 25°C

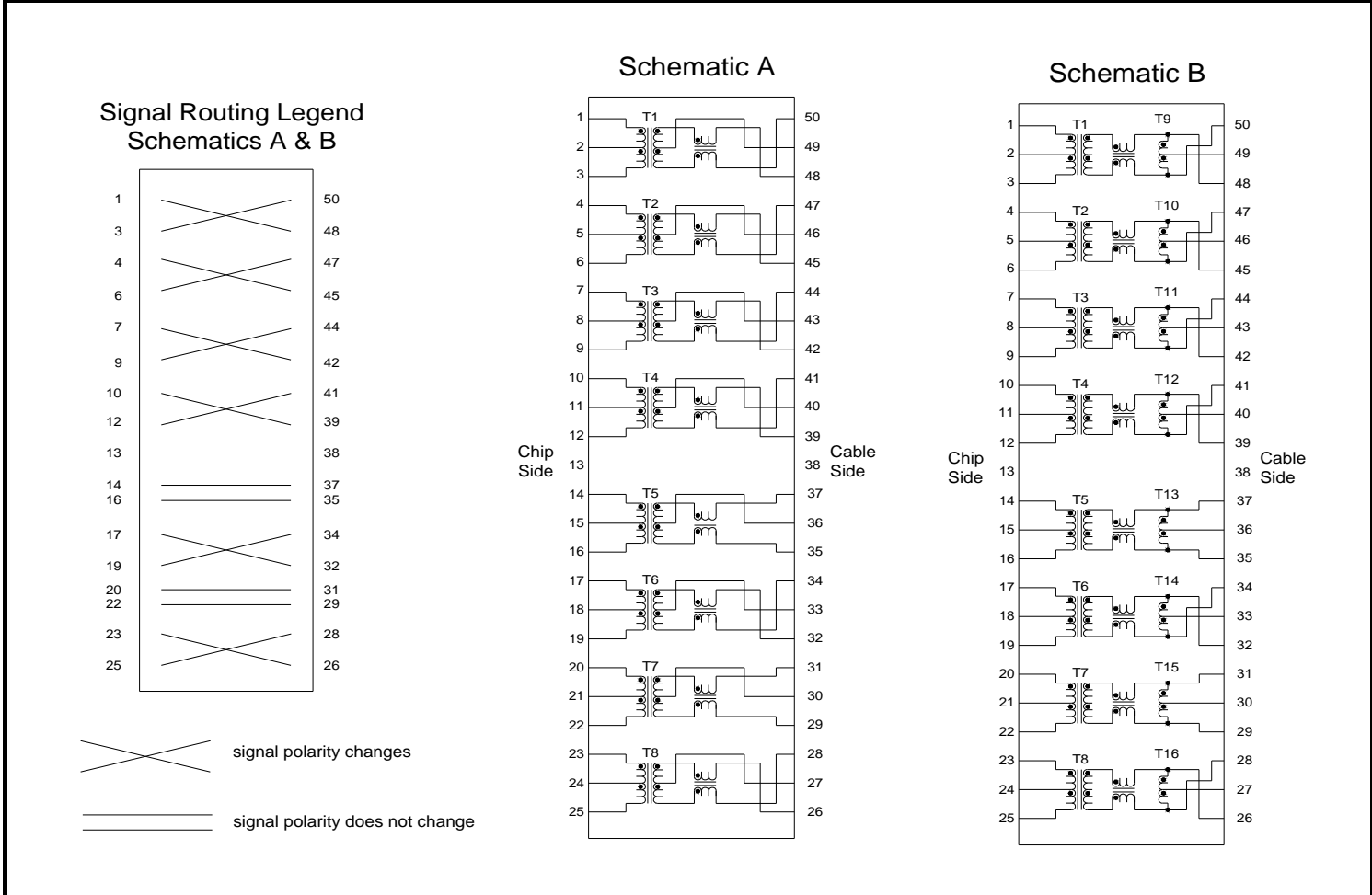
- Inductance: 350uH Min with 8mADC Bias, see part number table for operating temperature range. (each transformer measured on the cable side)
- Rise time (10% - 90%): 2.5nSec typical
- Dielectric Isolation: 1500Vrms Minimum

Frequency	Insertion Loss (dB Max)	Return Loss (dB Min) (Note 1)	Crosstalk Attenuation (dB Min)	CMRR (dB Min)
0.1MHz - 1MHz	1.0	18.0	43.0	46.0
1.1MHz - 15MHz	0.4	18.0	35.0	46.0
15.1MHz - 40MHz	0.6	18.0	35.0	46.0
40.1MHz - 60MHz	0.8	14.5 @ 60MHz	30.0	42.0
60.1MHz - 80MHz	1.2	12.0 @ 80MHz	30.0	42.0
80.1MHz - 100MHz	1.3	10.1 @ 100MHz	30.0	42.0

- Notes:
- Minimum return loss is as follows with a circuit impedance of 100 Ohms +/- 15%:
 0.1Mhz - 39.9Mhz = 18dB
 40Mhz - 100Mhz = 12 - 20Log₁₀(f/80) dB where f is in MHz

The information contained in this drawing is the sole property of Tyco Electronics Corporation.

Product Description	10/100/1000BASE-T MAGNETICS DUAL PORT SURFACE MOUNT MODULE
----------------------------	---



Part Number Table		
Part Number	Schematic	Temperature Range
GB3G01	A	0°C to 70°C
GB3G01-1	C	0°C to 70°C
GB3G01-2	E	0°C to 70°C
GB3G04	B	0°C to 70°C
GB3G04-1	D	0°C to 70°C
GB3G04-2	F	0°C to 70°C
MGG3S-00001	C	-40°C to +85°C

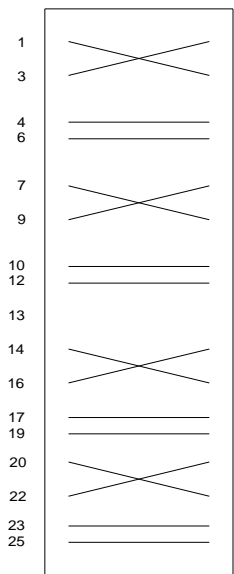
The information contained in this drawing is the sole property of Tyco Electronics Corporation.

TEL 888-978-2638 - FAX 605-886-8995 - Specifications subject to change without notice. For latest revision visit www.tycopowercomponents.com

Downloaded from Elcodis.com electronic components distributor

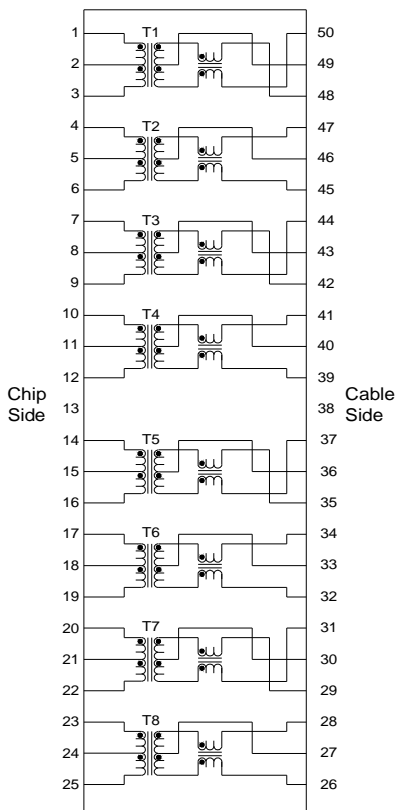
Product Description	10/100/1000BASE-T MAGNETICS DUAL PORT SURFACE MOUNT MODULE
----------------------------	---

Signal Routing Legend
Schematics C & D

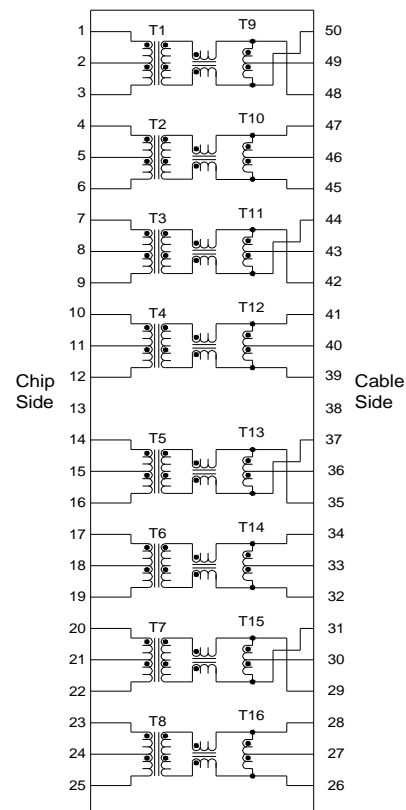


signal polarity changes
 signal polarity does not change

Schematic C



Schematic D



The information contained in this drawing is the sole property of Tyco Electronics Corporation.

TEL 888-978-2638 - FAX 605-886-8995 - Specifications subject to change without notice. For latest revision visit www.tycopowercomponents.com

MGG3S
(GB3Gxx) Series

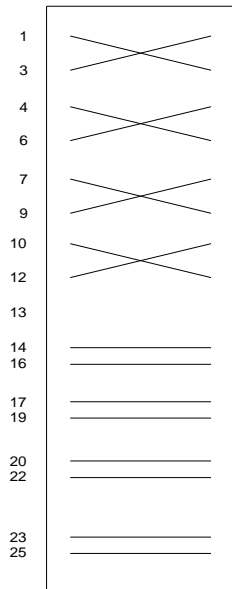
REV
K



Product
Description

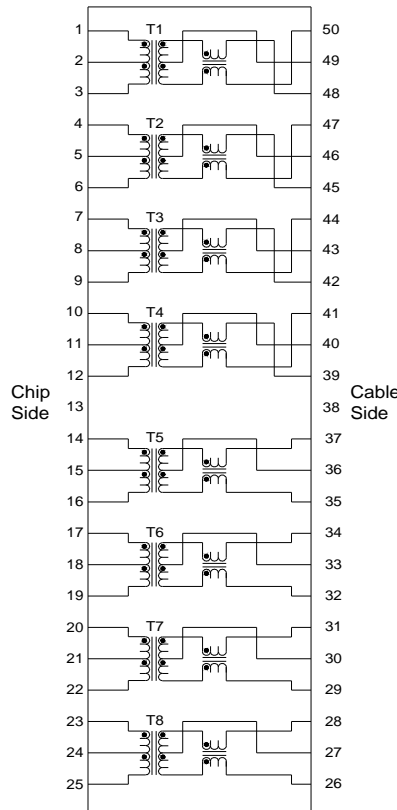
10/100/1000BASE-T MAGNETICS
DUAL PORT SURFACE MOUNT MODULE

Signal Routing Legend
Schematics E & F

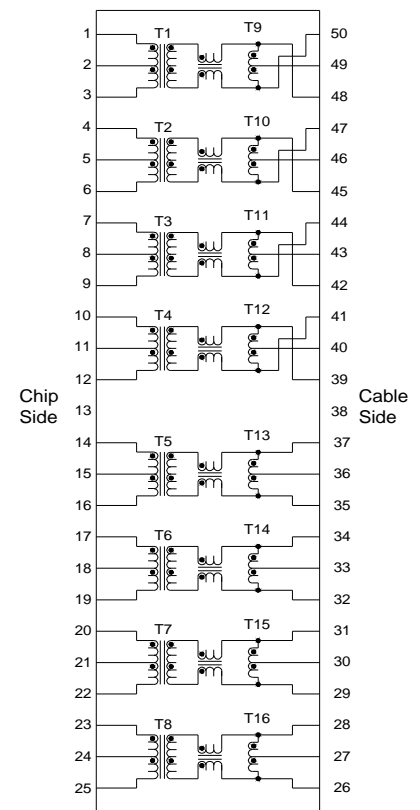


signal polarity changes
 signal polarity does not change

Schematic E



Schematic F



The information contained in this drawing is the sole property of Tyco Electronics Corporation.

TEL 888-978-2638 - FAX 605-886-8995 - Specifications subject to change without notice. For latest revision visit www.tycopowercomponents.com