

MOSFET GATE DRIVE TRANSFORMERS



- International safety construction, VDE approved
- 3750V_{RMS} gate to drive winding test
- Useful operating frequency from 20kHz to 100kHz

Electrical Specifications @ 25°C — Operating Temperature 0°C to 70°C

Part Number	Turns Ratio (±5%)	Inductance 1V _{RMS} 1 kHz Term 1-2 (μH MIN)	Leakage ¹ Inductance Term 1-2 (μH MAX)	DCR Drive Winding (Ω MAX)	DCR Gate Winding (Ω MAX)	C _{ww} Drive To Gate (pf MAX)	C _{ww} Gate To Gate (pf MAX)	Typical Operating Frequency (kHz)
PE-63385NL	1:1	1500	4.0	0.40	0.75	50	NA	20-100
PE-63387NL*	1:1:1	1500	4.0	0.40	0.75	50	130	20-100
PE-63386NL	1:1.5	1500	4.0	0.40	2.50	50	NA	20-100
PE-63388NL	1:1.5:1.5	1500	4.0	0.40	2.50	50	130	20-100

*NOTE: Also Available with a U-L B1 Insulation (1446C) system, tested to 4400Vrms for 1 minute as PE-68448NL.

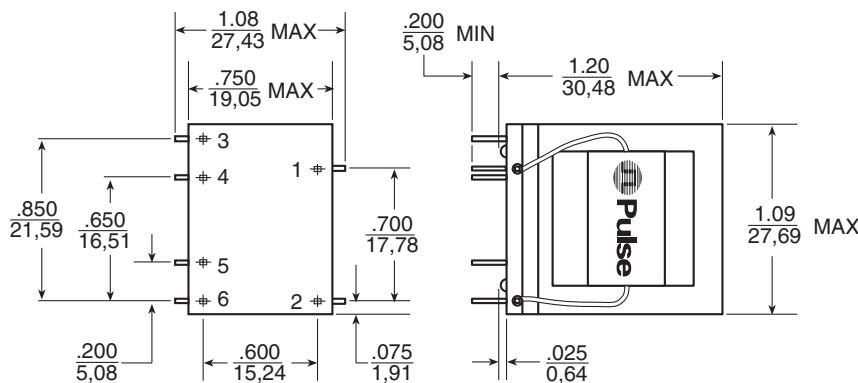
Maximum Ratings

Rating	Sym	PE-63385 PE-63386	PE-63387 PE-63388	Unit
Drive Excitation, Unipolar	ET _U ⁶	200	320	V-μs
Drive Excitation, Bipolar	ET _B ⁶	400	640	V-μs
Secondary RMS Current	I _{SR} ⁷	640	500	ma
Operating & Storage Temp.	T _{OP} , T _{STG}	105	105	°C

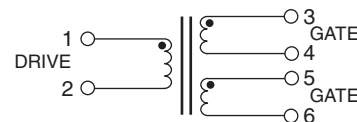
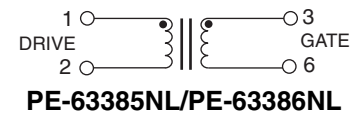
Dielectric Strength

Test Between	RMS Test Volts 60Hz, 1 Minute Hold
Gate-Drive	3750
Gate-Gate	1500
Gate-Core	2000
Drive-Core	1750

Mechanical



Schematics



- NOTES: 1. Measured with secondaries shorted
 2. Pins .025/0.64 square solderable
 3. Unused pins not provided
 4. Pin numbers not marked on part
 5. Mounting header flammability rating: UL-94V0
 6. At 2480 Gauss
 7. At 200 CM/Amp

Dimensions: $\frac{\text{Inches}}{\text{mm}}$
 Unless otherwise specified,
 all tolerances are $\pm \frac{.010}{0.25}$

For More Information:

Pulse Worldwide Headquarters

12220 World Trade Drive
 San Diego, CA 92128
 U.S.A.

www.pulseeng.com
 TEL: 858 674 8100
 FAX: 858 674 8262

Pulse Northern Europe

3 Huxley Road
 Surrey Research Park
 Guildford, Surrey GU2 5RE
 United Kingdom

TEL: 44 1483 401700
 FAX: 44 1483 401701

Pulse Southern Europe

Zone Industrielle
 F-39270
 Orgelet
 France

TEL: 33 3 84 35 04 04
 FAX: 33 3 84 25 46 41

Pulse China Headquarters

No. 1
 Industrial District
 Changan, Dongguan
 China

TEL: 86 769 5538070
 FAX: 86 769 5538870

Pulse North China

Room 1002
 No. 819
 Nanjing West Rd
 Shanghai
 China

TEL: 86 21 32181071
 FAX: 86 21 32181396

Pulse South Asia

150 Kampong Ampat
 #07-01/02
 KA Centre
 Singapore 368324

TEL: 65 6287 8998
 FAX: 65 6280 0080

Pulse North Asia

3F-4, No. 81, Sec. 1
 Hsin Tai Wu Road
 Hsi-Chih
 Taipei Hsien
 Taiwan

TEL: 886 2 26980228
 FAX: 886 2 26980948

Performance warranty of products offered on this data sheet is limited to the parameters specified. Data is subject to change without notice. Other brand and product names mentioned herein may be trademarks or registered trademarks of their respective owners.

© Copyright, 2005. Pulse Engineering, Inc. All rights reserved.

www.pulseeng.com

P507.B (12/05)